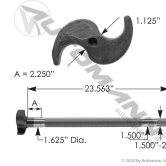
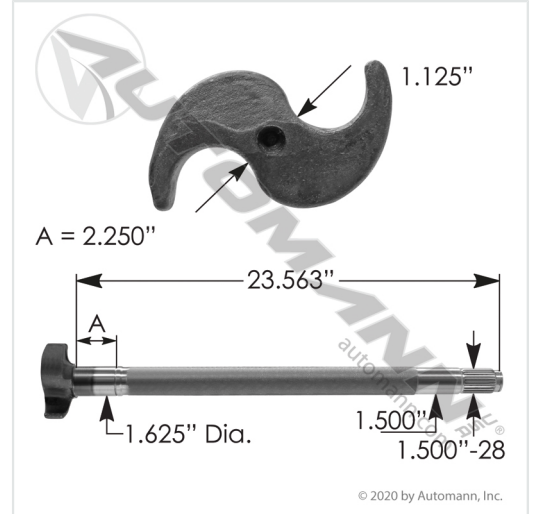



Camshaft RH

Automann #	123.282318.04
UPC Code	889626012853
Categories	Air Brake & Wheel > Camshafts > Spicer & Std. Forge Browse By Brand > Automann
Brand	Automann
Product Level	Fleet Standard
Description	<ul style="list-style-type: none"> Dana/Spicer and Std. Forge Axles with 16-1/2in Xtralife Brakes, 1.125in Head, 1.5in-28 Splines Use with 110.2303 or 110.2010 Repair Kits
Ref. #	E-9736, R607232, 17-928, M16WKR25-236
Applications	Dana/Spicer
Shipping	Parcel friendly
Unit Size	1
Weight	14.8 lbs
Pkg. Dims (in) Pkg. Dims (in)	27 X 4.375 X 2.75
Arrival Date	January 2006



Related Items

Automann #	Image	Product Name
123.282318.03		Camshaft LH
110.2010		Camshaft Repair Kit

Automann #	Image	Product Name
110.2303		Camshaft Repair Kit

Specifications

Attribute	Value
Applications	Dana/Spicer
Head Style	Head Style 6
Head Type	1.125" Extended Life, Hendrickson HXS
Length (L)	23.563"
Length (A)	2.250"
Splines	1.500"-28
Journal Dia. (A)	1.625"
Journal Dia. (B)	1.500"
Hardware Kit(s)	110.2303,110.2010 w/ Brackets

Where Used

This item is featured in the following schematics:

Name	Type
Dana Spicer Trailer Axle 16-1/2" X 7" / FMSI 4707 ("XL II" Double Anchor Pin)	Brake

Series

There is no series data for this product.

Cross Reference

Name	Part Number	Notes
Euclid	E9736	Camshaft

Name	Part Number	Notes
Haldex	CS41421	Camshaft
Meritor	R607232	Camshaft
Spicer	17-928	Camshaft
Spicer	M16WKR25236	Camshaft
Spicer	M16WKR25-236	Camshaft