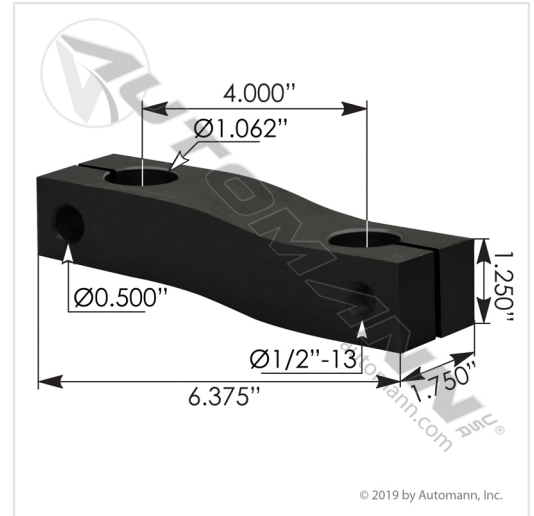


Side Bar Kenworth

Automann #	M1838
UPC Code	889626152184
Categories	Suspension > Kenworth > Side Bars Suspension > Side Bars Browse By Brand > Automann
Brand	Automann
Product Level	Fleet Standard
Description	<ul style="list-style-type: none"> • Rear of Front • Use with M5212 • Included in Kit MKS5901
Ref. #	K20981, K20989, K2098, K20982, K20987
Applications	Kenworth
Shipping	Parcel friendly
Unit Size	1
Weight	3.2 lbs
Pkg. Dims (in)	6.52 X 1.812 X 1.5
Arrival Date	October 2005



Notes

Lock Hole Threaded


Related Items

Automann #	Image	Product Name
M5212		Spring Pin Kenworth

Specifications

Attribute	Value
Applications	Kenworth
Side Bar Type	5
Application	Kenworth
Length (A)	6.375"
Width (B)	1.750"
C to C (C)	4.000"
Height (D)	1.250"
Hole Size (E)	1.063"
Lock Hole (F)	1/2" - 13
Hole Size (G)	#N/A

Item Used In

Automann #	Image	Product Name
MKS5901		Shackle Kit Kenworth

Where Used

This item is featured in the following schematics:

Name	Type
Kenworth Front C500B/550B, K100/300, T300/400/450/600/800	Suspension

Series

There is no series data for this product.

Cross Reference

Name	Part Number	Notes
Kenworth	K20959	Side Bar
Kenworth	K209-59	Side Bar
Kenworth	K20961	Side Bar
Kenworth	K209-61	Side Bar
Kenworth	K2098	Side Bar
Kenworth	K209-8	Side Bar
Kenworth	K20981	Side Bar
Kenworth	K209-81	Side Bar
Kenworth	K20982	Side Bar
Kenworth	K209-82	Side Bar
Kenworth	K20987	Side Bar
Kenworth	K209-87	Side Bar
Kenworth	K20989	Side Bar
Kenworth	K209-89	Side Bar
Kenworth	K20989R	Side Bar
Kenworth	K209-89R	Side Bar