

26" PRO35™ MEGA MASTER TOOL KIT, 1033 PIECES, RED



- 26" PRO35™ Mega Master 1033-piece general purpose tool kit with 16 fully extendable drawers featuring ball bearing slides and 30 kg load capacity per drawer
- Three stacked powder coated heavy gauge steel units treated with a 5-step phosphate-free rust prevention process
- Key features include 5" heavy duty castors, noise-reducing EVA drawer mats, and a 3-digit combination lock on each unit
- Comprehensive tool kit tool compilation with diverse sockets, spanners, screwdrivers, pliers, and specialized tools for a range of mechanical tasks
- Utilizes the modular TengTools Tool Control System for efficient tool organization and quick identification of missing items

The TengTools 26" PRO35™ Mega Master tool kit TKS26R1033T in matte red finish is a comprehensive and versatile 1033-piece collection compiled for professionals in industrial and mechanical fields. This 16-drawer mobile stacked tool storage is built for durability and a great asset in environments where tasks include maintenance and complex assembly. It consists of three storage units: a 9-drawer roller cabinet, a 3-drawer tool chest and a 4-drawer tool chest. Each unit is constructed from high-quality heavy gauge steel and features drawers with a loading capacity between 30 to 40 kg, all equipped with ball bearing slides. To reduce wear and tear on both drawers and tools, all drawers are fitted with noise-reducing EVA-mats. Each unit has undergone a 5-step phosphate-free rust prevention process. The roller cabinet is equipped with 5" heavy duty castors, two braked swivel castors and two fixed, providing both easy manoeuvrability and stability. The dimensions are 680 mm in width, 460 mm in depth and a total height of 1570 mm with castors mounted. To ensure that the tools are stored safely, each unit is equipped with a 3-digit combination lock. One of the main features of this Mega Master tool kit is the integration of the TengTools Tool Control System, which makes tool management well organised and efficient. Each toolset within this comprehensive collection is methodically placed in a dedicated module. This way of organising the tools allows for a customisable and dynamic configuration of the toolkit, while making it easy to detect if a tool has been lost or forgotten in a project. The tool kit includes a variety of 1/4, 3/8, 1/2, and 3/4 inch drive sockets, bit sockets, and ratchets, catering to different sizes and types of fasteners. The kit is further enriched with impact tools, combination spanners, screwdrivers, and an assortment of bits. T-handle hex & tx keys, pliers, power grips, and files add versatility to the kit. Pry bars, torque wrenches, taps, dies, and inspection tools are included for more specialized applications. Furthermore, the tool kit contains imperial spanners & sockets, along with a range of general tools, thereby covering most everyday aspects of mechanical and industrial tool needs. Two 32-piece clip rail sets, a paper holder, and fixing brackets to securely attach the tool chest to the cabinet are included.

General information

Country of origin: Taiwan
Barcode: 5020385215429
Tariff code Europe: 8206000000
ECCN US: EAR99
ETIM: EC000149
UNSPSC: 27113201

Dimensions

Net weight (g): 197500
Width (mm): 680
Depth (mm): 460
Height (mm): 1570
Max static load: 530 kg
Max dynamic load: 330 kg
Number of drawer: 16
Drawer capacity: 7 × 30 kg, 9 × 40 kg
Drawer depth: 7 × 275 mm, 9 × 380 mm
Drawer height: 5 × 50 mm, 11 × 75 mm
Drawer width: 7 × 569 mm, 9 × 575 mm

Attributes

Product type: Mobile Tool Kits
User segment: General Tool Kit
Number of pieces: 1033
Inlay material: PS
Colour: Red
Castor size: 5" x 1-1/4"
Braked swivel castors: 2
Fixed castors: 2
Type of work top: 5 mm EVA mat

Features



**TT
SERIES**

DESIGNED IN SWEDEN

TengTools is a Swedish company present in more than 30 markets worldwide, and offers hand tools in smart storage solutions for demanding professionals within the automotive, maintenance and engineering sectors, as well as motor sport enthusiasts who aspire to use the same tools as top mechanics across the globe.

Technical changes and errors may occur. 22-08-2024 20:00



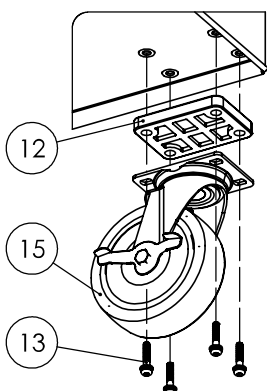
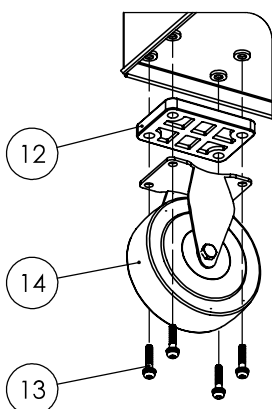
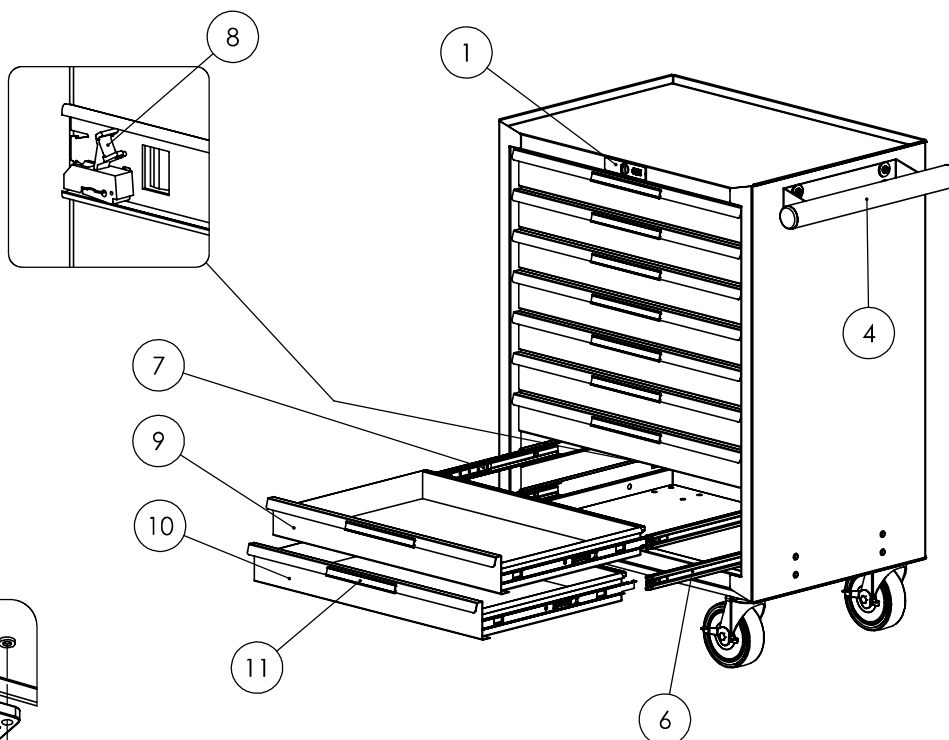
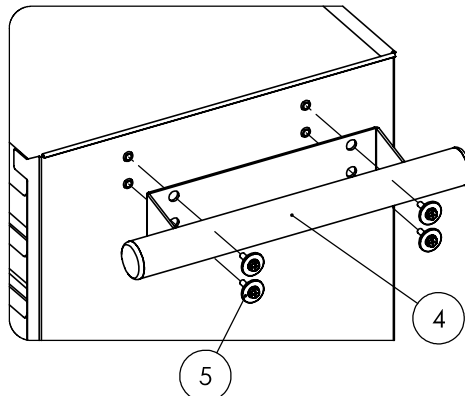
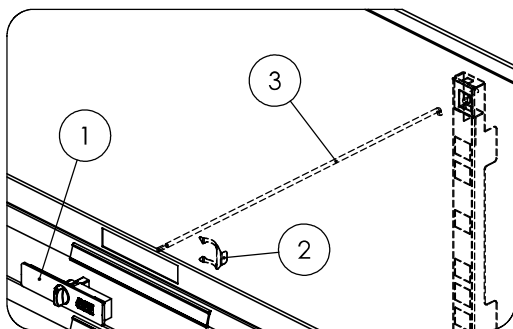
Sandbergsvägen 3
 441 39 Alingsås,
 Sweden

SPARE PART LIST

TSW26R9
Version: 3



WWW.TENGOOLS.COM



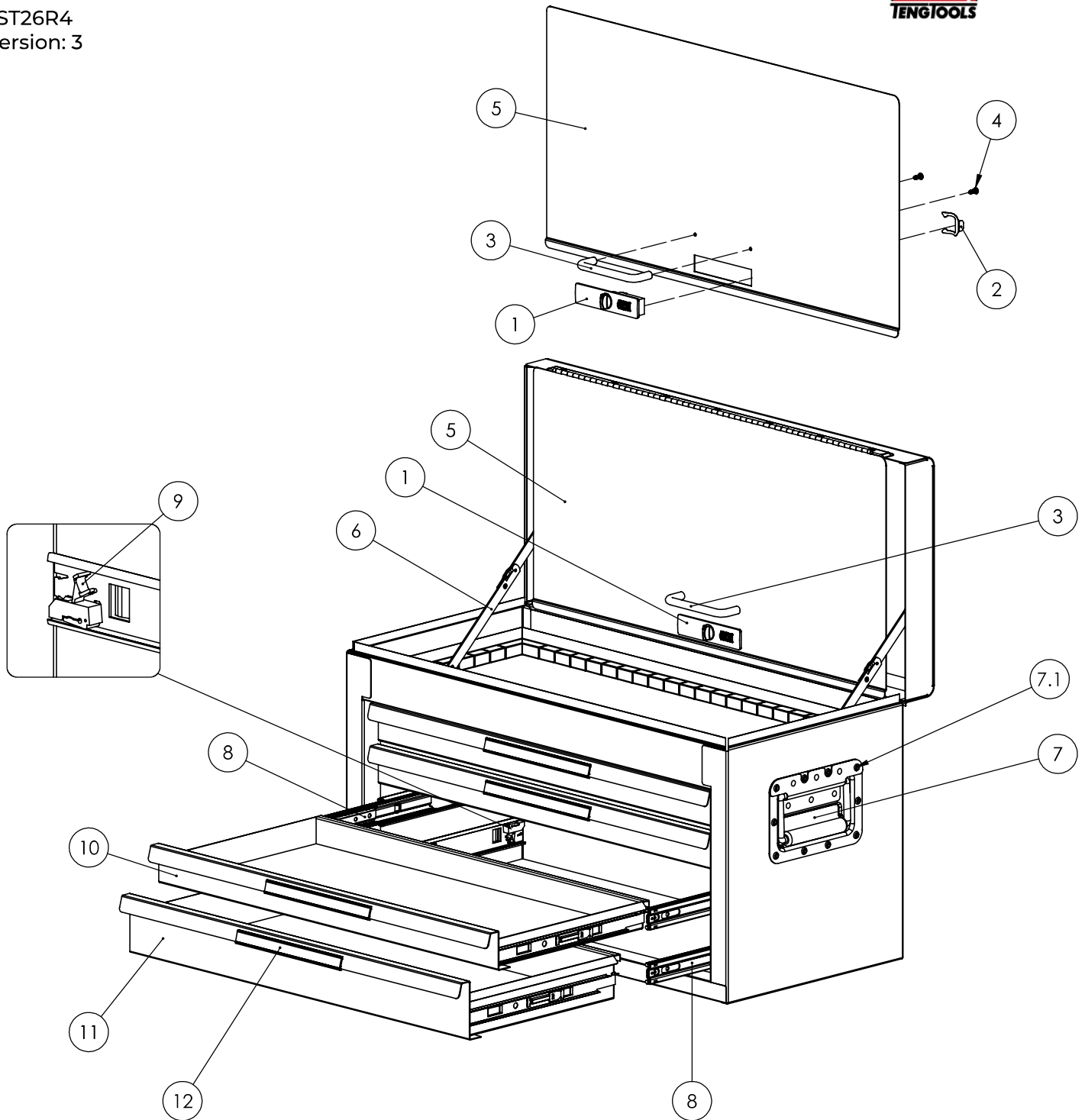
POS	DESCRIPTION	ITEM ID
1A	Combination Lock 180°	TC-180CLOCK
1B	Key cylinder lock 180° (optional)	TC-180KEYLOCK
2	Cam for lock (included in Pos 1)	TCW806N-02
3	Locking bar	TCW603-01
4	Side handle	TCW807NBK1-14
5	Screws for side handle (4pcs)	TCW603-08
6	Slider 16" 36 mm Right (1pc)	TCW810N-05
7	Slider 16" 36 mm Left (1pc)	TCW810N-06
8	Clip for slider (included in Pos 6 & 7)	TC803N-13
9	Drawer 575 x 380 x 75 mm Red	TSW26R-75
10	Drawer 575 x 380 x 75 mm Red with Logo	TSW26RF-75
11A	Aluminium drawer handle (3 pcs)	ALUE803
11B	Aluminium drawer handle (4 pcs)	ALUE804
12	Plastic spacer for casters 10 mm (1 pc)	TCW603-03
13	Screws for casters (4 pcs)	TCW603-09
14	Fixed casters 5" x 1-1/4" (1 pc)	TCW807N-13
15	Swivel casters 5" x 1-1/4" (1 pc)	TCW807N-12

SPARE PART LIST

TST26R4
Version: 3



WWW.TENGTTOOLS.COM



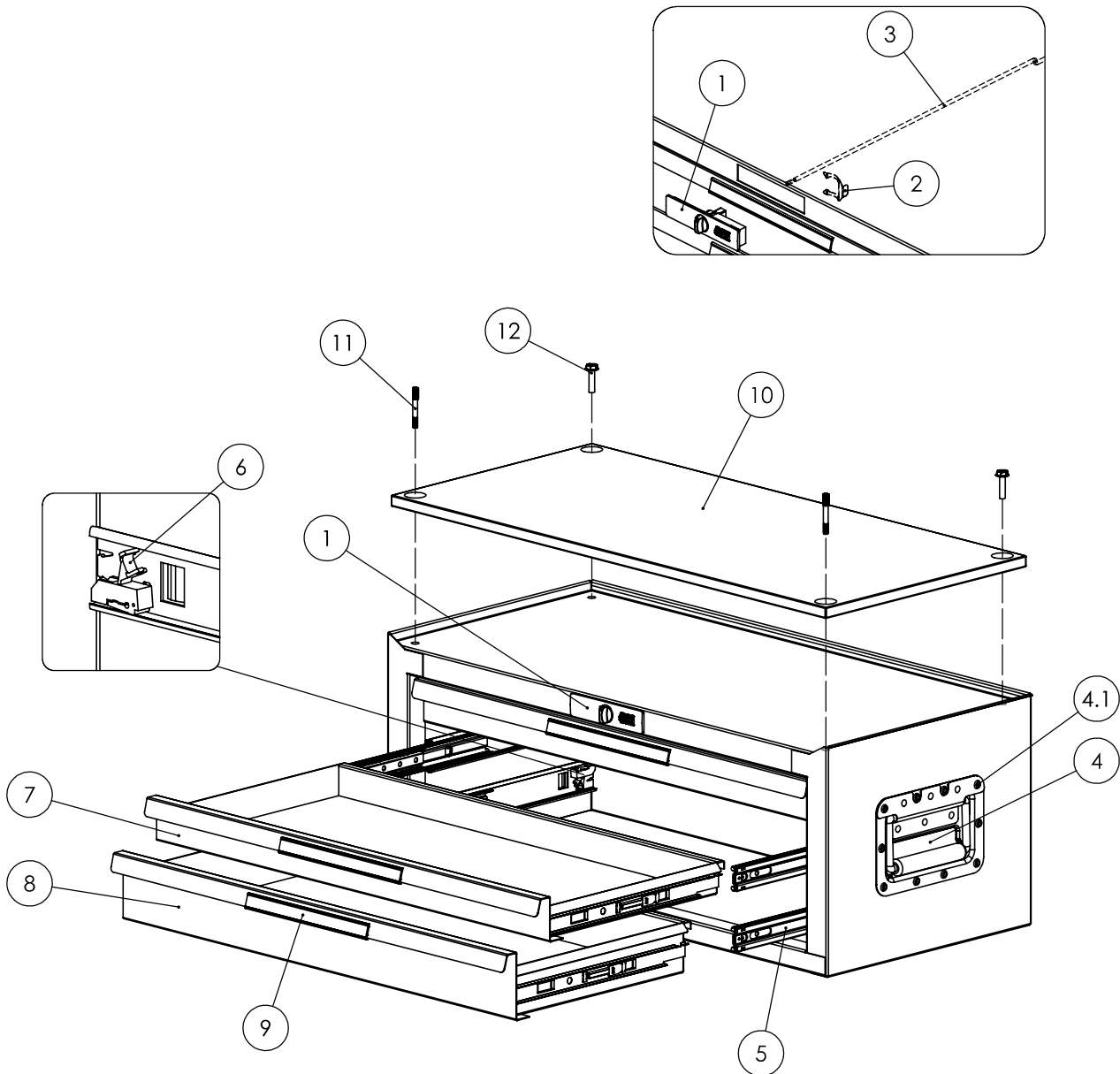
POS	DESCRIPTION	ITEM ID
1A	Combination lock 90°	TC-90CLOCK
1B	Key cylinder lock 90° (optional)	TC-90KEYLOCK
2	Cam for lock (included in Pos 1)	TC803-05
3	Drop front handle Black	TC805NFXBK1-10
4	Screws for drop front handle (2 pcs)	TC606-10
5	Drop front 26" with Logo Red	TC806NF-13
6	Lid stay (1 pc)	TC606-12
7	Retractable side handle	TCDSHA
7.1	Rivets: 4,8mm x 7,4mm Black (10 pcs)	-
8	Slider 10" 36 mm Left/Right (1pc)	TC803N-03
9	Clip for slider (included in Pos 8)	TC803N-13
10	Drawer 569 x 275 x 50 mm Red	TST26R-50
11	Drawer 569 x 275 x 75 mm Red	TST26R-75
12A	Aluminium drawer handle (3 pcs)	ALUE803
12B	Aluminium drawer handle (4 pcs)	ALUE804

SPARE PART LIST

TSM26R3
Version: 3



WWW.TENGOOLS.COM



POS	DESCRIPTION	ITEM ID
1A	Combination Lock 180°	TC-180CLOCK
1B	Key cylinder lock 180° (optional)	TC-180KEYLOCK
2	Cam for lock (included in Pos 1)	TC803-05
3	Locking bar	TC603-11
4	Retractable side handle	TCDSHA
4.1	Rivets: 4,8mm x 7,4mm Black (10 pcs)	-
5	Slider 10" 36 mm Left/Right (1pc)	TC803N-03
6	Clip for sliders (included in Pos 5)	TC803N-13
7	Drawer 569 x 275 x 50 mm Red	TST26R-50
8	Drawer 569 x 275 x 75 mm Red	TST26R-75
9A	Aluminium drawer handle (3 pcs)	ALUE803
9B	Aluminium drawer handle (4 pcs)	ALUE804
10	Foam between middle & top box	TC603-10
11*	Screw pin for top box (1 pc)	TC603-09
12*	Screws for top box M6 x 25 mm (2 pcs)	-

* Pos. 11 & 12 only used together with TST26R4

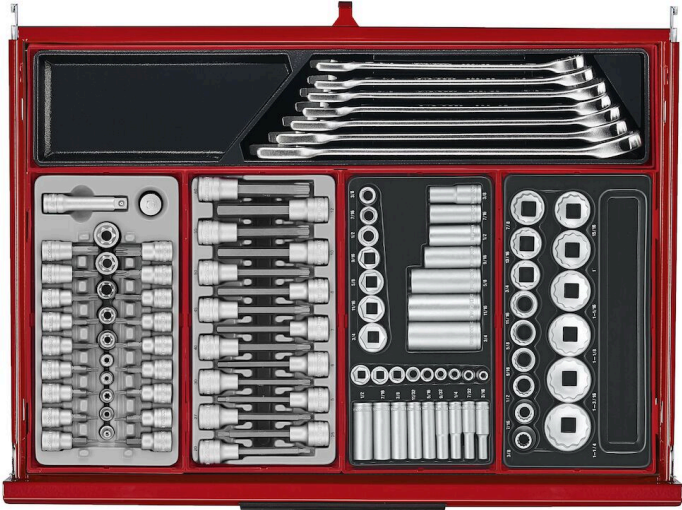
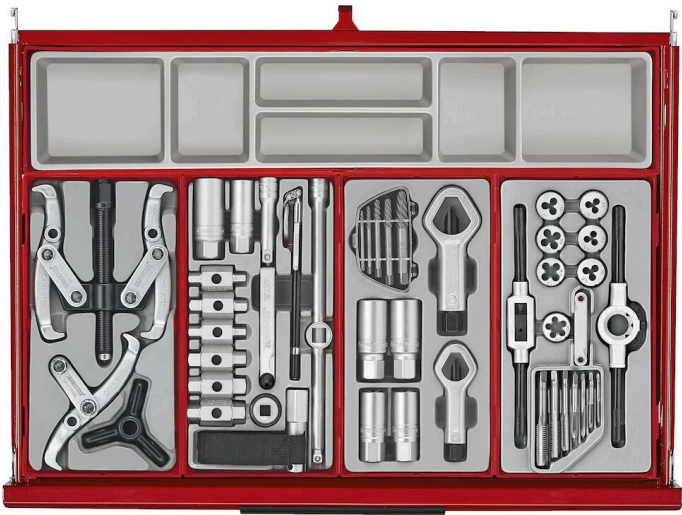
ADDITIONAL IMAGES



WWW.TENGOOLS.COM







LIST OF CONTENTS



WWW.TENGOOLS.COM

TKS26R1033T 26" PRO35™ Mega Master tool kit, 1033 pieces, red

- 580** Magnetic Bits Tray Round
- TCA08** Paper roll holder for side handle
- TCF05** Fixing brackets for 26" 3-drawer tool chest
- TSM26R3** 26" PRO35™ tool chest 3 drawers red
- TST26R4** 26" PRO35™ tool chest 4 drawers red
- TSW26R9** 26" PRO35™ roller cabinet 9 drawers red
- TT01** Storage Tray TT1 7 Compartments
- TT02** Storage Tray TT1 2 Compartments
- TT1205** 1/2" Ratchet & Accessories Set TT1 5 Pieces

- 1200-72U** 1/2" Ratchet 72 Teeth IP5X
- M120021-C** 1/2" Extension Bar 125 mm
- M120022-C** 1/2" Extension Bar 255 mm
- M120030-C** 1/2" Universal Joint
- M380036-C** Step Up Adaptor 3/8"F - 1/2"M

TT1215AF 1/2" Socket Set 12 pt AF TT1 15 Pieces

- M120112-C** 1/2" Socket 12 pt AF 3/8"
- M120114-C** 1/2" Socket 12 pt AF 7/16"
- M120116-C** 1/2" Socket 12 pt AF 1/2"
- M120118-C** 1/2" Socket 12 pt AF 9/16"
- M120120-C** 1/2" Socket 12 pt AF 5/8"
- M120122-C** 1/2" Socket 12 pt AF 11/16"
- M120124-C** 1/2" Socket 12 pt AF 3/4"
- M120126-C** 1/2" Socket 12 pt AF 13/16"
- M120128-C** 1/2" Socket 12 pt AF 7/8"
- M120130-C** 1/2" Socket 12 pt AF 15/16"
- M120132-C** 1/2" Socket 12 pt AF 1"
- M120134-C** 1/2" Socket 12 pt AF 1-1/16"
- M120136-C** 1/2" Socket 12 pt AF 1-1/8"
- M120138-C** 1/2" Socket 12 pt AF 1-3/16"
- M120140-C** 1/2" Socket 12 pt AF 1-1/4"

TT1217-6 1/2" Socket Set 6 pt TT1 17 Pieces

- M1205106-C** 1/2" Socket 6 pt Metric 10 mm
- M1205116-C** 1/2" Socket 6 pt Metric 11 mm
- M1205126-C** 1/2" Socket 6 pt Metric 12 mm
- M1205136-C** 1/2" Socket 6 pt Metric 13 mm
- M1205146-C** 1/2" Socket 6 pt Metric 14 mm
- M1205156-C** 1/2" Socket 6 pt Metric 15 mm
- M1205166-C** 1/2" Socket 6 pt Metric 16 mm
- M1205176-C** 1/2" Socket 6 pt Metric 17 mm
- M1205186-C** 1/2" Socket 6 pt Metric 18 mm

M1205196-C	1/2" Socket 6 pt Metric 19 mm
M1205206-C	1/2" Socket 6 pt Metric 20 mm
M1205216-C	1/2" Socket 6 pt Metric 21 mm
M1205226-C	1/2" Socket 6 pt Metric 22 mm
M1205246-C	1/2" Socket 6 pt Metric 24 mm
M1205276-C	1/2" Socket 6 pt Metric 27 mm
M1205306-C	1/2" Socket 6 pt Metric 30 mm
M1205326-C	1/2" Socket 6 pt Metric 32 mm

TT1236 Combination Spanner Set TT1 12 Pieces

600508	Combination Spanner Metric 8 mm
600509	Combination Spanner Metric 9 mm
600510	Combination Spanner Metric 10 mm
600511	Combination Spanner Metric 11 mm
600512	Combination Spanner Metric 12 mm
600513	Combination Spanner Metric 13 mm
600514	Combination Spanner Metric 14 mm
600515	Combination Spanner Metric 15 mm
600516	Combination Spanner Metric 16 mm
600517	Combination Spanner Metric 17 mm
600518	Combination Spanner Metric 18 mm
600519	Combination Spanner Metric 19 mm

TT1435 1/4" Socket Set 6 pt TT1 35 Pieces

1400-72U	1/4" Ratchet 72 Teeth IP5X
FL2508A03	1/4" Flat Bits 25 mm 0.8 × 4.0 mm
FL2508B03	1/4" Flat Bits 25 mm 0.8 × 5.5 mm
HEX2500503	1/4" Hex Bits 25 mm 5 mm
HEX2500603	1/4" Hex Bits 25 mm 6 mm
M140015-C	1/4" Spinner Handle
M140020-C	1/4" Extension Bar 50 mm
M140021-C	1/4" Extension Bar 100 mm
M140030-C	1/4" Universal Joint
M140060-C	1/4" Bit Adaptor Hex Bit Coupler
M140504-C	1/4" Socket 6 pt Metric 4 mm
M140505-C	1/4" Socket 6 pt Metric 5 mm
M1405055-C	1/4" Socket 6 pt Metric 5.5 mm
M140506-C	1/4" Socket 6 pt Metric 6 mm
M140507-C	1/4" Socket 6 pt Metric 7 mm
M140508-C	1/4" Socket 6 pt Metric 8 mm
M140509-C	1/4" Socket 6 pt Metric 9 mm
M140510-C	1/4" Socket 6 pt Metric 10 mm
M140511-C	1/4" Socket 6 pt Metric 11 mm
M140512-C	1/4" Socket 6 pt Metric 12 mm
M140513-C	1/4" Socket 6 pt Metric 13 mm

M140606-C	1/4" Deep Socket 6 pt Metric 6 mm
M140607-C	1/4" Deep Socket 6 pt Metric 7 mm
M140608-C	1/4" Deep Socket 6 pt Metric 8 mm
M140610-C	1/4" Deep Socket 6 pt Metric 10 mm
M140612-C	1/4" Deep Socket 6 pt Metric 12 mm
M140613-C	1/4" Deep Socket 6 pt Metric 13 mm
M380035-C	Reducing Adaptor 3/8"F - 1/4"M
PH2500103	1/4" PH Bits 25 mm PH1
PH2500203	1/4" PH Bits 25 mm PH2
PZ2500103	1/4" PZ Bits 25 mm PZ1
PZ2500203	1/4" PZ Bits 25 mm PZ2
TPX2501003	1/4" TPX Bits 25 mm TPX10
TPX2501503	1/4" TPX Bits 25 mm TPX15
TPX2502003	1/4" TPX Bits 25 mm TPX20

TT3592 Combination Spanner Set AF TT1 8 Pieces

600110	Combination Spanner AF 5/16"
600112	Combination Spanner AF 3/8"
600114	Combination Spanner AF 7/16"
600116	Combination Spanner AF 1/2"
600118	Combination Spanner AF 9/16"
600120	Combination Spanner AF 5/8"
600122	Combination Spanner AF 11/16"
600124	Combination Spanner AF 3/4"

TT3819 3/8" Socket Set 6 pt TT1 19 Pieces

3800-72U	3/8" Ratchet 72 Teeth IP5X
M120036-C	Reducing Adaptor 1/2"F - 3/8"M
M380020W-C	3/8" Wobble Extension Bar 75 mm
M380030-C	3/8" Universal Joint
M380060-C	3/8" Bit Adaptor Hex bit coupler 1/4" Hex
M380508-C	3/8" Socket 6 pt Metric 8 mm
M380509-C	3/8" Socket 6 pt Metric 9 mm
M380510-C	3/8" Socket 6 pt Metric 10 mm
M380511-C	3/8" Socket 6 pt Metric 11 mm
M380512-C	3/8" Socket 6 pt Metric 12 mm
M380513-C	3/8" Socket 6 pt Metric 13 mm
M380514-C	3/8" Socket 6 pt Metric 14 mm
M380515-C	3/8" Socket 6 pt Metric 15 mm
M380516-C	3/8" Socket 6 pt Metric 16 mm
M380517-C	3/8" Socket 6 pt Metric 17 mm
M380518-C	3/8" Socket 6 pt Metric 18 mm
M380519-C	3/8" Socket 6 pt Metric 19 mm
M380522-C	3/8" Socket 6 pt Metric 22 mm
PT3810R	3/8" Rotating Spinner Handle

TT440Q	Plier Set Vinyl Grip Q TT1 4 Pieces
MB441-6	Side Cutting Plier 160 mm
MB452-7	Heavy Duty Combination Plier 185 mm
MB461-8	Long Nose Plier 200 mm
MB482-10Q	Quick Set Water Pump Plier HRC60 250 mm

TT474-5E	Circlip Plier Set PRO 12-25 mm TT1 4 Pieces
MBE470-5	Circlip Plier Inner Straight PRO 135 mm
MBE471-5	Circlip Plier Inner Bent PRO 125 mm
MBE472-5	Circlip Plier Outer Straight PRO 135 mm
MBE473-5	Circlip Plier Outer Bent PRO 125 mm

TT474-7E	Circlip Plier Set PRO 19-60 mm TT1 4 Pieces
MBE470-7	Circlip Plier Inner Straight PRO 175 mm
MBE471-7	Circlip Plier Inner Bent PRO 175 mm
MBE472-7	Circlip Plier Outer Straight PRO 175 mm
MBE473-7	Circlip Plier Outer Bent PRO 165 mm

TT6010M	Stubby Combination Spanner Set TT1 10 Pieces
6005M10	Stubby Combination Spanner Metric 10 mm
6005M11	Stubby Combination Spanner Metric 11 mm
6005M12	Stubby Combination Spanner Metric 12 mm
6005M13	Stubby Combination Spanner Metric 13 mm
6005M14	Stubby Combination Spanner Metric 14 mm
6005M15	Stubby Combination Spanner Metric 15 mm
6005M16	Stubby Combination Spanner Metric 16 mm
6005M17	Stubby Combination Spanner Metric 17 mm
6005M18	Stubby Combination Spanner Metric 18 mm
6005M19	Stubby Combination Spanner Metric 19 mm

TT6208	Double Open Ended Spanner Set TT1 8 Pieces
620607	Double Open Ended Spanner Metric 6 × 7 mm
620809	Double Open Ended Spanner Metric 8 × 9 mm
621011	Double Open Ended Spanner Metric 10 × 11 mm
621213	Double Open Ended Spanner Metric 12 × 13 mm
621415	Double Open Ended Spanner Metric 14 × 15 mm
621617	Double Open Ended Spanner Metric 16 × 17 mm
621819	Double Open Ended Spanner Metric 18 × 19 mm
622022	Double Open Ended Spanner Metric 20 × 22 mm

TT6506	Double Flex Wrench Set TT1 6 Pieces
650809	Double Flex Wrench Metric 8 × 9 mm
651011	Double Flex Wrench Metric 10 × 11 mm
651213	Double Flex Wrench Metric 12 × 13 mm
651415	Double Flex Wrench Metric 14 × 15 mm
651617	Double Flex Wrench Metric 16 × 17 mm
651819	Double Flex Wrench Metric 18 × 19 mm

TT804	Puller Set TT1 4 Pieces
TT804-01	Spare Parts for Puller Set TT804 Long Screw
TT804-02	Spare Parts for Puller Set TT804 Replacement Arm
TT804-03	Spare Parts for Puller Set TT804 Plate
TT804-04	Spare Parts for Puller Set TT804 Screw
TT804-05	Spare Parts for Puller Set TT804 Three Arm Holder
TT804-06	Spare Parts for Puller Set TT804 Two Arm Holder

TT9116N 1/2" Impact Socket Set ANSI TT1 16 Pieces

920513AN	1/2" Impact Socket ANSI Metric 13 mm
920515AN	1/2" Impact Socket ANSI Metric 15 mm
920516AN	1/2" Impact Socket ANSI Metric 16 mm
920517AN	1/2" Impact Socket ANSI Metric 17 mm
920518AN	1/2" Impact Socket ANSI Metric 18 mm
920519AN	1/2" Impact Socket ANSI Metric 19 mm
920522AN	1/2" Impact Socket ANSI Metric 22 mm
920524AN	1/2" Impact Socket ANSI Metric 24 mm
920613AN	1/2" Deep Impact Socket ANSI Metric 13 mm
920615AN	1/2" Deep Impact Socket ANSI Metric 15 mm
920616AN	1/2" Deep Impact Socket ANSI Metric 16 mm
920617AN	1/2" Deep Impact Socket ANSI Metric 17 mm
920618AN	1/2" Deep Impact Socket ANSI Metric 18 mm
920619AN	1/2" Deep Impact Socket ANSI Metric 19 mm
920622AN	1/2" Deep Impact Socket ANSI Metric 22 mm
920624AN	1/2" Deep Impact Socket ANSI Metric 24 mm

TT917N Screwdriver Set Mixed TT1 7 Pieces

MD920N	Flat Screwdriver 0.5 × 3.0 × 75 mm S
MD922N	Flat Screwdriver 1.0 × 5.5 × 75 mm S
MD932N	Flat Screwdriver 1.2 × 6.5 × 100 mm L Hex Shaft
MD940N	PH Screwdriver PH0 × 75 mm S
MD947N1	PH Screwdriver PH1 × 75 mm M
MD952N	PH Screwdriver PH2 × 100 mm L Hex Shaft
MD962N2	PZ Screwdriver PZ2 × 100 mm L Hex Shaft

TT917TXN Screwdriver Set TX & TPX TT1 7 Pieces

MD610TPN	TPX Screwdriver TPX10 × 100 mm M
MD615TPN	TPX Screwdriver TPX15 × 100 mm M
MD620TPN	TPX Screwdriver TPX20 × 100 mm M
MD625TPN	TPX Screwdriver TPX25 × 100 mm L
MD630TPN	TPX Screwdriver TPX30 × 100 mm L
MD908TN	TX Screwdriver TX8 × 75 mm S
MD909TN	TX Screwdriver TX9 × 75 mm S

TT9207A 1/2" Impact Socket Accessories Set ANSI TT1 11 Pieces

920020AN	1/2" Impact Extension Bar DIN (F) ANSI (M) 75 mm
-----------------	--

920021AN	1/2" Impact Extension Bar DIN (F) ANSI (M) 125 mm
920023AN	1/2" Impact Extension Bar DIN (F) ANSI (M) 250 mm
920030AN	1/2" Impact Universal Joint DIN (F) ANSI (M)
920036AN	Impact Reducing Adaptor 1/2"F (DIN) - 3/8"M (ANSI)
920037AN	Impact Step Up Adaptor 1/2"F (DIN) - 3/4"M (ANSI)
980036A-C	Impact Step Up Adaptor 3/8"F (DIN) - 1/2"M (ANSI)
O92194	Retaining Ring 19 × 4.0 mm
O92244	Retaining Ring 24 × 4.0 mm
P92320	Retaining Pin 3 × 20 mm
P92325	Retaining Pin 3 × 25 mm

TTAF32 1/4" & 3/8" Socket Set AF 6 pt TT1 32 Pieces

M140106-C	1/4" Socket 6 pt AF 3/16"
M140107-C	1/4" Socket 6 pt AF 7/32"
M140108-C	1/4" Socket 6 pt AF 1/4"
M140109-C	1/4" Socket 6 pt AF 9/32"
M140110-C	1/4" Socket 6 pt AF 5/16"
M140111-C	1/4" Socket 6 pt AF 11/32"
M140112-C	1/4" Socket 6 pt AF 3/8"
M140114-C	1/4" Socket 6 pt AF 7/16"
M140116-C	1/4" Socket 6 pt AF 1/2"
M140206-C	1/4" Deep Socket 6 pt AF 3/16"
M140207-C	1/4" Deep Socket 6 pt AF 7/32"
M140208-C	1/4" Deep Socket 6 pt AF 1/4"
M140209-C	1/4" Deep Socket 6 pt AF 9/32"
M140210-C	1/4" Deep Socket 6 pt AF 5/16"
M140211-C	1/4" Deep Socket 6 pt AF 11/32"
M140212-C	1/4" Deep Socket 6 pt AF 3/8"
M140214-C	1/4" Deep Socket 6 pt AF 7/16"
M140216-C	1/4" Deep Socket 6 pt AF 1/2"
M380112-C	3/8" Socket 6 pt AF 3/8"
M380114-C	3/8" Socket 6 pt AF 7/16"
M380116-C	3/8" Socket 6 pt AF 1/2"
M380118-C	3/8" Socket 6 pt AF 9/16"
M380120-C	3/8" Socket 6 pt AF 5/8"
M380122-C	3/8" Socket 6 pt AF 11/16"
M380124-C	3/8" Socket 6 pt AF 3/4"
M380212-C	3/8" Deep Socket 6 pt AF 3/8"
M380214-C	3/8" Deep Socket 6 pt AF 7/16"
M380216-C	3/8" Deep Socket 6 pt AF 1/2"
M380218-C	3/8" Deep Socket 6 pt AF 9/16"
M380220-C	3/8" Deep Socket 6 pt AF 5/8"
M380222-C	3/8" Deep Socket 6 pt AF 11/16"
M380224-C	3/8" Deep Socket 6 pt AF 3/4"

TTALU	Clip Rail Set TT1 32 Pieces
ALU12	Socket Clips 10 × 1/2"
ALU14	Socket Clips 10 × 1/4"
ALU38	Socket Clips 10 × 3/8"
TTALU	Clip Rail Set TT1 32 Pieces
ALU12	Socket Clips 10 × 1/2"
ALU14	Socket Clips 10 × 1/4"
ALU38	Socket Clips 10 × 3/8"
TTCP121	Crimping Plier Set TT1 121 Pieces
CP50	Crimping Plier 9" Red Handle
TTHC03	Hose Clamp Set TT1 3 Pieces
AT080	Hose Clamp 6 - 19 mm
AT085	Hose Clamp 6 - 32 mm
AT090	Hose Clamp 19 - 57 mm
TTHEX23	1/2" Hex Bit Socket Set TT1 23 Pieces
210705	Hex Bits 40 mm 5 mm
210706	Hex Bits 40 mm 6 mm
210707	Hex Bits 40 mm 7 mm
210708	Hex Bits 40 mm 8 mm
210709	Hex Bits 40 mm 9 mm
210710	Hex Bits 40 mm 10 mm
210712	Hex Bits 40 mm 12 mm
210714	Hex Bits 40 mm 14 mm
210717	Hex Bits 40 mm 17 mm
210719	Hex Bits 40 mm 19 mm
210805	Hex Bits 75 mm 5 mm
210806	Hex Bits 75 mm 6 mm
210807	Hex Bits 75 mm 7 mm
210808	Hex Bits 75 mm 8 mm
210809	Hex Bits 75 mm 9 mm
210810	Hex Bits 75 mm 10 mm
210812	Hex Bits 75 mm 12 mm
210814	Hex Bits 75 mm 14 mm
210817	Hex Bits 75 mm 17 mm
210819	Hex Bits 75 mm 19 mm
M120061-C	1/2" Bit Adaptor 10 mm
M120062-C	1/2" Bit Adaptor 12 mm
MDM711	Hex Mini Screwdriver 2
TTHEX7	T-Handle Ball Point Hex Key Set TT1 7 Pieces
5105025	T Handle Ball Point Hex Key Metric 2.5 mm
510503	T Handle Ball Point Hex Key Metric 3 mm
510504	T Handle Ball Point Hex Key Metric 4 mm

- 510505** T Handle Ball Point Hex Key Metric 5 mm
- 510506** T Handle Ball Point Hex Key Metric 6 mm
- 510507** T Handle Ball Point Hex Key Metric 7 mm
- 510508** T Handle Ball Point Hex Key Metric 8 mm

TTHP08 Hook & Pin Wrench Set TT1 8 Pieces

- HP101** Hook Wrench 19 - 50 mm
- HP102** Hook Wrench 32 - 75 mm
- HP103** Hook Wrench 50 - 120 mm
- HP2014-PA** Pin Arm 4 mm, 19 - 50 mm
- HP2025-PA** Pin Arm 5 mm, 32 - 75 mm
- HP2026-P** Pin 6 mm, 19 - 50 mm & 32 - 75 mm
- HP2036-PA** Pin Arm 6 mm, 50 - 120 mm
- HP2038-P** Pin 8 mm, 50 - 120 mm

TTHR81 Rivet Gun Set TT1 81 Pieces

- HR01** Hand Rivet Gun Aluminium Alloy 2.4/3.2/4.0/4.8 mm

TTHT28 Ball Point Hex & TX Key Set TT1 28 Pieces

- 3101025BL** Ball Point Hex Key AF 5/64"
- 310103BL** Ball Point Hex Key AF 3/32"
- 310104BL** Ball Point Hex Key AF 1/8"
- 310105BL** Ball Point Hex Key AF 5/32"
- 310106BL** Ball Point Hex Key AF 3/16"
- 310107BL** Ball Point Hex Key AF 7/32"
- 310108BL** Ball Point Hex Key AF 1/4"
- 310110BL** Ball Point Hex Key AF 5/16"
- 310112BL** Ball Point Hex Key AF 3/8"
- 3105015BL-C** Ball Point Hex Key Metric 1.5 mm
- 3105025BL-C** Ball Point Hex Key Metric 2.5 mm
- 310502BL-C** Ball Point Hex Key Metric 2 mm
- 310503BL-C** Ball Point Hex Key Metric 3 mm
- 310504BL-C** Ball Point Hex Key Metric 4 mm
- 310505BL-C** Ball Point Hex Key Metric 5 mm
- 310506BL-C** Ball Point Hex Key Metric 6 mm
- 310507BL-C** Ball Point Hex Key Metric 7 mm
- 310508BL-C** Ball Point Hex Key Metric 8 mm
- 310510BL-C** Ball Point Hex Key Metric 10 mm
- 320008** TX Key TX8
- 320009** TX Key TX9
- 320010** TX Key TX10
- 320015** TX Key TX15
- 320020** TX Key TX20
- 320025** TX Key TX25
- 320027** TX Key TX27
- 320030** TX Key TX30

320040 TX Key TX40

TTID20 1/2" Impact Driver Set TTI 20 Pcs

910504 5/16" Hex Impact Driver Bits 4 mm
910505 5/16" Hex Impact Driver Bits 5 mm
910506 5/16" Hex Impact Driver Bits 6 mm
910508 5/16" Hex Impact Driver Bits 8 mm
920060-C 1/2" Impact Coupler Adaptor 5/16" Hex
930001 5/16" PH Impact Driver Bits PH1
930002 5/16" PH Impact Driver Bits PH2
930003 5/16" PH Impact Driver Bits PH3
930004 5/16" PH Impact Driver Bits PH4
940006 5/16" Flat Impact Driver Bits 6 mm
940008 5/16" Flat Impact Driver Bits 8 mm
940010 5/16" Flat Impact Driver Bits 10 mm
940012 5/16" Flat Impact Driver Bits 12 mm
970030 5/16" TX Impact Driver Bits TX30
970040 5/16" TX Impact Driver Bits TX40
970045 5/16" TX Impact Driver Bits TX45
970050 5/16" TX Impact Driver Bits TX50
970055 5/16" TX Impact Driver Bits TX55
980086 Hex Socket Adaptor 5/16" Hex - 3/8"
ID512A 1/2" Impact Driver Heavy Duty

TTMD74 Ratcheting Screwdriver Bit Set TTI 74 Pieces

FL2506A03 1/4" Flat Bits 25 mm 0.6 × 3.5 mm
FL2506B03 1/4" Flat Bits 25 mm 0.6 × 4.5 mm
FL2507A03 1/4" Flat Bits 25 mm 7 mm
FL2508A03 1/4" Flat Bits 25 mm 0.8 × 4.0 mm
FL2508B03 1/4" Flat Bits 25 mm 0.8 × 5.5 mm
FL2508B03 1/4" Flat Bits 25 mm 0.8 × 5.5 mm
FL2508B03 1/4" Flat Bits 25 mm 0.8 × 5.5 mm
FL2512A03 1/4" Flat Bits 25 mm 1.2 × 6.5 mm
FL2516A03 1/4" Flat Bits 25 mm 1.6 × 8.0 mm
GR25002010 1/4" PH G Bits 25 mm PH2G
GR25002010 1/4" PH G Bits 25 mm PH2G
GR25002010 1/4" PH G Bits 25 mm PH2G
HEX2500203 1/4" Hex Bits 25 mm 2 mm
HEX2500303 1/4" Hex Bits 25 mm 3 mm
HEX2500403 1/4" Hex Bits 25 mm 4 mm
HEX2500503 1/4" Hex Bits 25 mm 5 mm
HEX2500603 1/4" Hex Bits 25 mm 6 mm
HEX2500803 1/4" Hex Bits 25 mm 8 mm
M140060-C 1/4" Bit Adaptor Hex Bit Coupler
MDR908 1/4" Ratcheting Bits Driver Set

FL2507A03	1/4" Flat Bits 25 mm 7 mm
FL2510A03	1/4" Flat Bits 25 mm 1.0 × 5.5 mm
M140037	Hex Socket Adaptor 1/4" Hex - 1/4" 25 mm
PH2500103	1/4" PH Bits 25 mm PH1
PH2500203	1/4" PH Bits 25 mm PH2
PZ2500103	1/4" PZ Bits 25 mm PZ1
PZ2500203	1/4" PZ Bits 25 mm PZ2
PH2500103	1/4" PH Bits 25 mm PH1
PH2500103	1/4" PH Bits 25 mm PH1
PH2500103	1/4" PH Bits 25 mm PH1
PH2500103	1/4" PH Bits 25 mm PH1
PH2500203	1/4" PH Bits 25 mm PH2
PH2500203	1/4" PH Bits 25 mm PH2
PH2500203	1/4" PH Bits 25 mm PH2
PH2500203	1/4" PH Bits 25 mm PH2
PH2500203	1/4" PH Bits 25 mm PH2
PH2500203	1/4" PH Bits 25 mm PH2
PH2500203	1/4" PH Bits 25 mm PH2
PH2500203	1/4" PH Bits 25 mm PH2
PH2500203	1/4" PH Bits 25 mm PH2
PH2500303	1/4" PH Bits 25 mm PH3
PZ2500103	1/4" PZ Bits 25 mm PZ1
PZ2500103	1/4" PZ Bits 25 mm PZ1
PZ2500103	1/4" PZ Bits 25 mm PZ1
PZ2500103	1/4" PZ Bits 25 mm PZ1
PZ2500203	1/4" PZ Bits 25 mm PZ2
PZ2500203	1/4" PZ Bits 25 mm PZ2
PZ2500203	1/4" PZ Bits 25 mm PZ2
PZ2500203	1/4" PZ Bits 25 mm PZ2
PZ2500203	1/4" PZ Bits 25 mm PZ2
PZ2500203	1/4" PZ Bits 25 mm PZ2
PZ2500203	1/4" PZ Bits 25 mm PZ2
PZ2500203	1/4" PZ Bits 25 mm PZ2
PZ2500303	1/4" PZ Bits 25 mm PZ3
ROB2500103	1/4" ROB Bits 25 mm ROB1
ROB2500203	1/4" ROB Bits 25 mm ROB2
ROB2500303	1/4" ROB Bits 25 mm ROB3
TPX2501003	1/4" TPX Bits 25 mm TPX10
TPX2501503	1/4" TPX Bits 25 mm TPX15
TPX2502003	1/4" TPX Bits 25 mm TPX20
TPX2502003	1/4" TPX Bits 25 mm TPX20
TPX2502503	1/4" TPX Bits 25 mm TPX25
TPX2502503	1/4" TPX Bits 25 mm TPX25
TPX2502703	1/4" TPX Bits 25 mm TPX27
TPX2503003	1/4" TPX Bits 25 mm TPX30
TPX2504003	1/4" TPX Bits 25 mm TPX40
TTMD74-1	1/4" Bits Driver Extension 100 mm

TTMD74-2	1/4" Bits Driver Extension 150 mm Flexible
TX2500603	1/4" TX Bits 25 mm TX6
TX2500703	1/4" TX Bits 25 mm TX7
TX2500803	1/4" TX Bits 25 mm TX8
TX2500903	1/4" TX Bits 25 mm TX9
TX2501003	1/4" TX Bits 25 mm TX10
TX2501503	1/4" TX Bits 25 mm TX15
TX2502003	1/4" TX Bits 25 mm TX20
TX2502003	1/4" TX Bits 25 mm TX20
TX2502003	1/4" TX Bits 25 mm TX20
TX2502503	1/4" TX Bits 25 mm TX25
TX2502503	1/4" TX Bits 25 mm TX25
TX2502503	1/4" TX Bits 25 mm TX25
TX2502703	1/4" TX Bits 25 mm TX27
TX2503003	1/4" TX Bits 25 mm TX30
TX2504003	1/4" TX Bits 25 mm TX40

TTMI16 Mini Pliers & Screwdriver Set TT1 16 Pieces

MBM441	Mini Side Cutting Plier 115 mm
MBM449	Mini End Cutting Plier 110 mm
MBM461	Mini Long Nose Plier 140 mm
MBM464	Mini Flat Nose Plier 140 mm
MDM713	Flat Mini Screwdriver 2 mm
MDM714	Flat Mini Screwdriver 2.5 mm
MDM715	Flat Mini Screwdriver 3 mm
MDM716	PH Mini Screwdriver PH00
MDM717	PH Mini Screwdriver PH0
MDM718	PH Mini Screwdriver PH1
MDM806	TX Mini Screwdriver TX6
MDM807	TX Mini Screwdriver TX7
MDM808	TX Mini Screwdriver TX8
MDM809	TX Mini Screwdriver TX9
MDM810	TX Mini Screwdriver TX10
MDM815	TX Mini Screwdriver TX15

TTNR81 Nutsert Gun Set TT1 81 Pieces

HN02	Nutsert Gun M3/M4/M5/M6
-------------	-------------------------

TTOS16 Oil Service Set TT1 16 Pieces

582MI	Telescopic Inspection Tool 3 in 1
9110	1/2" Oil Filter Removal Tool Strap Type 130 mm
DP0810	Drain Plug 8 mm Hex × 10 mm Hex
DP0812	Drain Plug 8 mm Square × 3/8" Square
DP1012	Drain Plug 5/16" Hex × 3/8" Hex
DP1112	Drain Plug 11 mm Square × 12 mm Hex
DP1314	Drain Plug 13 mm Square × 14 mm Hex

DP1716	Drain Plug 17 mm Hex × 1/2" Hex
FG20100	Feeler Gauge 0,05-1,0 mm 100 mm 20 Blades
M120036-C	Reducing Adaptor 1/2"F - 3/8"M
M380020-C	3/8" Extension Bar 75 mm
M380022W-C	3/8" Wobble Extension Bar 255 mm
M380040-C	3/8" Spark Plug Socket 16 mm
M380046-C	3/8" Spark Plug Socket 21 mm
M380521-C	3/8" Socket 6 pt Metric 21 mm

TTPC09 Punch & Chisel Set TT1 9 Pieces

CC150F	Flat Cold Chisel 150 × 18 mm
CC200F	Flat Cold Chisel 200 × 25 mm
CP05	Centre Punch 5 mm
PP03	Parallel Pin Punch 3 mm
PP04	Parallel Pin Punch 4 mm
PP05	Parallel Pin Punch 5 mm
PP06	Parallel Pin Punch 6 mm
PP07	Parallel Pin Punch 7 mm
PP08	Parallel Pin Punch 8 mm

TTPS09 General Tool Set BP TT4 9 Pieces

4002	Adjustable Wrench 150 mm
4004	Adjustable Wrench 250 mm
401-10	Curved Jaw Power Grip Plier 235 mm
701	Hacksaw 24TPI Metal
710	Utility Knife
HMBP24	Ball Pein Hammer 24oz
HMSF	Soft Face Hammer
MT03	Measuring Tape Metric/Inch 3m
ST200	Steel Rule mm/AF 200 mm

TTRS15 1/2" Long Ribe® & XZN/Triple Square Bit Socket Set TT1 15 Pieces

M122704-C	1/2" Long Ribe® Bit Socket 04
M122705-C	1/2" Long Ribe® Bit Socket 05
M122706-C	1/2" Long Ribe® Bit Socket 06
M122708-C	1/2" Long Ribe® Bit Socket 08
M122710-C	1/2" Long Ribe® Bit Socket 10
M122711-C	1/2" Long Ribe® Bit Socket 11
M122712-C	1/2" Long Ribe® Bit Socket 12
M122713-C	1/2" Long Ribe® Bit Socket 13
M122805-C	1/2" Long XZN/Triple Square Bit Socket 05
M122806-C	1/2" Long XZN/Triple Square Bit Socket 06
M122808-C	1/2" Long XZN/Triple Square Bit Socket 08
M122810-C	1/2" Long XZN/Triple Square Bit Socket 10
M122812-C	1/2" Long XZN/Triple Square Bit Socket 12
M122814-C	1/2" Long XZN/Triple Square Bit Socket 14

M122816-C 1/2" Long XZN/Triple Square Bit Socket 16

TTSN11 Extractor & Nut Splitter Set TT1 11 Pieces

NS02 Nut Splitter Set 2 Pieces

SE05 Screw Extractor Set Spiral 5 Pieces

ST12506-C 1/2" Stud Extractor Socket 6 mm

ST12508-C 1/2" Stud Extractor Socket 8 mm

ST12510-C 1/2" Stud Extractor Socket 10 mm

ST12512-C 1/2" Stud Extractor Socket 12 mm

TTSR04 Scraper Set TT1 4 Pieces

MD-SCR Gasket Scraper 22 mm

MDA-R Awl Round Tip

MDH-L Hook Tool Curved

MDH-S Cotter Pin Puller

TTSR04A Trim & panel fastener clip removal set TT1 4 pcs

MDR06 Panel clip removal tool U-shape

MDR08 Panel clip removal tool U-shape large

MRP06 Trim clip removal tool V-shape

MRP95 Trim clip removal tool V-shape large

TTTD17 Tap and Die Set TT1 17 Pieces

DIE-HNDL Die Handle M3 - M12

SCPG Pitch Gauge

TAP-HNDL Tap Handle M3 - M12

TDD03050 Die M3 × 0,5

TDD04070 Die M4 × 0,7

TDD05080 Die M5 × 0,8

TDD06100 Die M6 × 1,0

TDD08125 Die M8 × 1,25

TDD10150 Die M10 × 1,5

TDD12175 Die M12 × 1,75

TDT03050 Tap M3 × 0,5

TDT04070 Tap M4 × 0,7

TDT05080 Tap M5 × 0,8

TDT06100 Tap M6 × 1,0

TDT08125 Tap M8 × 1,25

TDT10150 Tap M10 × 1,5

TDT12175 Tap M12 × 1,75

TTTM03 Inspection Set TT1 3 Pieces

581TMG Telescopic Magnifying Glass

581TMI Telescopic Inspection Mirror

581TMP Telescopic Magnetic Pick Up Tool

TTTX23 1/2" TX Bit Socket Set TT1 23 Pieces

220720 TX Bits 40 mm TX20

220725	TX Bits 40 mm TX25
220727	TX Bits 40 mm TX27
220730	TX Bits 40 mm TX30
220740	TX Bits 40 mm TX40
220745	TX Bits 40 mm TX45
220750	TX Bits 40 mm TX50
220755	TX Bits 40 mm TX55
220760	TX Bits 40 mm TX60
220770	TX Bits 40 mm TX70
220820	TX Bits 75 mm TX20 mm
220825	TX Bits 75 mm TX25 mm
220827	TX Bits 75 mm TX27 mm
220830	TX Bits 75 mm TX30 mm
220840	TX Bits 75 mm TX40 mm
220845	TX Bits 75 mm TX45 mm
220850	TX Bits 75 mm TX50 mm
220855	TX Bits 75 mm TX55 mm
220860	TX Bits 75 mm TX60 mm
220870	TX Bits 75 mm TX70 mm
M120061-C	1/2" Bit Adaptor 10 mm
M120062-C	1/2" Bit Adaptor 12 mm
MDM711	Hex Mini Screwdriver 2

TTTX30 3/8" TX Bit Socket Set TT1 30 Pieces

M140704-C	1/4" TX-E Socket E4
M140705-C	1/4" TX-E Socket E5
M140706-C	1/4" TX-E Socket E6
M140707-C	1/4" TX-E Socket E7
M140708-C	1/4" TX-E Socket E8
M380020-C	3/8" Extension Bar 75 mm
M380035-C	Reducing Adaptor 3/8"F - 1/4"M
M380710-C	3/8" TX-E Socket E10
M380712-C	3/8" TX-E Socket E12
M380714-C	3/8" TX-E Socket E14
M380716-C	3/8" TX-E Socket E16
M380718-C	3/8" TX-E Socket E18
M381210-C	3/8" TPX Bit Socket TPX10
M381210T-C	3/8" TX Bit Socket TX10
M381215-C	3/8" TPX Bit Socket TPX15
M381215T-C	3/8" TX Bit Socket TX15
M381220-C	3/8" TPX Bit Socket TPX20
M381220T-C	3/8" TX Bit Socket TX20
M381225-C	3/8" TPX Bit Socket TPX25
M381225T-C	3/8" TX Bit Socket TX25
M381227-C	3/8" TPX Bit Socket TPX27

M381227T-C	3/8" TX Bit Socket TX27
M381230-C	3/8" TPX Bit Socket TPX30
M381230T-C	3/8" TX Bit Socket TX30
M381240-C	3/8" TPX Bit Socket TPX40
M381240T-C	3/8" TX Bit Socket TX40
M381245-C	3/8" TPX Bit Socket TPX45
M381245T-C	3/8" TX Bit Socket TX45
M381250-C	3/8" TPX Bit Socket TPX50
M381250T-C	3/8" TX Bit Socket TX50

TTTX7 T-Handle TX/TPX Key Set TT1 7 Pieces

520010	T Handle Ball Point TX Key TX10
520015	T Handle Ball Point TX Key TX15
520020	T Handle Ball Point TX Key TX20
520025	T Handle Ball Point TX Key TX25
520027	T Handle Ball Point TX Key TX27
520030	T Handle Ball Point TX Key TX30
520040	T Handle Ball Point TX Key TX40

TTV440 Insulated Plier Set TT1 4 Pieces

MBV441-6	Insulated Side Cutting Plier 160 mm
MBV451-7	Insulated Combination Plier 185 mm
MBV461-8	Insulated Long Nose Plier 215 mm
MBV499-7	Insulated Wire Stripping Plier

TTV710N Insulated Screwdriver Set Interchangeable Blades TT1 10 Pieces

MDV700	Insulated Handle for Interchangeable Blades L
MDV710	Insulated Handle for Interchangeable Blades S
MDV731	Interchangeable Blade Insulated Screwdriver 3 mm
MDV732	Interchangeable Blade Insulated Screwdriver 4 mm
MDV733	Interchangeable Blade Insulated Screwdriver 5.5 mm
MDV734	Interchangeable Blade Insulated Screwdriver 6.5 mm
MDV751	Interchangeable Blade Insulated Screwdriver PH1
MDV752	Interchangeable Blade Insulated Screwdriver PH2
MDV771	Interchangeable Blade Insulated Screwdriver PZ1
MDV772	Interchangeable Blade Insulated Screwdriver PZ2

TTVG05 Power Grip Plier Set TT1 5 Pieces

401-10	Curved Jaw Power Grip Plier 235 mm
401-4	Curved Jaw Power Grip Plier 105 mm
401-7	Curved Jaw Power Grip Plier 190 mm
404-4	Long Nose Power Grip Plier 125 mm
404-6	Long Nose Power Grip Plier 170 mm

TTX01 Storage Tray TTX4 6 Compartments

TTX2032 Combination Spanner Set TTX4 7 Pieces

600520	Combination Spanner Metric 20 mm
---------------	----------------------------------

600521	Combination Spanner Metric 21 mm
600522	Combination Spanner Metric 22 mm
600524	Combination Spanner Metric 24 mm
600527	Combination Spanner Metric 27 mm
600530	Combination Spanner Metric 30 mm
600532	Combination Spanner Metric 32 mm
TTX2493	1/2" Torque Wrench & Breaker Bar Set TTX4
1201	1/2" Breaker Bar 450 mm DIN3122
1292AG-EP	1/2" Torque Wrench 40 - 210Nm
TTX2640	Combination Spanner Set AF TTX4 7 Pieces
600126	Combination Spanner AF 13/16"
600128	Combination Spanner AF 7/8"
600130	Combination Spanner AF 15/16"
600132	Combination Spanner AF 1"
600134	Combination Spanner AF 1-1/16"
600136	Combination Spanner AF 1-1/8"
600140	Combination Spanner AF 1-1/4"
TTX3404	3/4" Ratchet & Accessories Set TTX4 4 Pieces
M3400-72	3/4" Ratchet Heavy Duty 72 Teeth
M340021-C	3/4" Extension Bar 200 mm
M340022-C	3/4" Extension Bar 400 mm
M340050-C	3/4" Sliding T Bar
TTX3414	3/4" Socket Set 6 pt TTX4 14 Pieces
M3405196-C	3/4" Socket 6 pt Metric 19 mm
M3405216-C	3/4" Socket 6 pt Metric 21 mm
M3405226-C	3/4" Socket 6 pt Metric 22 mm
M3405246-C	3/4" Socket 6 pt Metric 24 mm
M3405276-C	3/4" Socket 6 pt Metric 27 mm
M3405306-C	3/4" Socket 6 pt Metric 30 mm
M3405326-C	3/4" Socket 6 pt Metric 32 mm
M3405336-C	3/4" Socket 6 pt Metric 33 mm
M3405346-C	3/4" Socket 6 pt Metric 34 mm
M3405366-C	3/4" Socket 6 pt Metric 36 mm
M3405386-C	3/4" Socket 6 pt Metric 38 mm
M3405416-C	3/4" Socket 6 pt Metric 41 mm
M3405466-C	3/4" Socket 6 pt Metric 46 mm
M3405506-C	3/4" Socket 6 pt Metric 50 mm
TTX3892	3/8" Torque Wrench Set 20-110 Nm TTX4 22 Pieces
220708	TX Bits 40 mm TX08
220710	TX Bits 40 mm TX10
220715	TX Bits 40 mm TX15
220720	TX Bits 40 mm TX20

220725	TX Bits 40 mm TX25
220727	TX Bits 40 mm TX27
220730	TX Bits 40 mm TX30
220740	TX Bits 40 mm TX40
3892AG-E3	3/8" Torque Wrench 20 - 110Nm
M380020-C	3/8" Extension Bar 75 mm
M380023-C	3/8" Extension Bar 125 mm
M380061-C	3/8" Bit Adaptor Hex bit coupler 10 mm Hex
M386510-C	3/8" Crow Foot Wrench 10 mm
M386511-C	3/8" Crow Foot Wrench 11 mm
M386512-C	3/8" Crow Foot Wrench 12 mm
M386513-C	3/8" Crow Foot Wrench 13 mm
M386514-C	3/8" Crow Foot Wrench 14 mm
M386515-C	3/8" Crow Foot Wrench 15 mm
M386516-C	3/8" Crow Foot Wrench 16 mm
M386517-C	3/8" Crow Foot Wrench 17 mm
M386518-C	3/8" Crow Foot Wrench 18 mm
M386519-C	3/8" Crow Foot Wrench 19 mm
TTX474-9E	Circlip Plier Set PRO 40-100 mm TTX4 4 Pieces
MBE470-9	Circlip Plier Inner Straight PRO 225 mm
MBE471-9	Circlip Plier Inner Bent PRO 220 mm
MBE472-9	Circlip Plier Outer Straight PRO 225 mm
MBE473-9	Circlip Plier Outer Bent PRO 220 mm
TTX6311	Double Ring Spanner Set TTX4 11 Pieces
630607	Double Ring Spanner Metric 6 × 7 mm
630809	Double Ring Spanner Metric 8 × 9 mm
631011	Double Ring Spanner Metric 10 × 11 mm
631213	Double Ring Spanner Metric 12 × 13 mm
631415	Double Ring Spanner Metric 14 × 15 mm
631617	Double Ring Spanner Metric 16 × 17 mm
631819	Double Ring Spanner Metric 18 × 19 mm
632022	Double Ring Spanner Metric 20 × 22 mm
632123	Double Ring Spanner Metric 21 × 23 mm
632427	Double Ring Spanner Metric 24 × 27 mm
633032	Double Ring Spanner Metric 30 × 32 mm
TTX918N	Screwdriver Set Flat & PH TTX4 8 Pieces
MD920N1	Flat Screwdriver 0.5 × 3.0 × 100 mm S
MD923N	Flat Screwdriver 1.0 × 5.5 × 150 mm M
MD928N	Flat Screwdriver 1.2 × 6.5 × 38 mm XS
MD932N1	Flat Screwdriver 1.2 × 6.5 × 150 mm L Hex Shaft
MD934N	Flat Screwdriver 1.2 × 8.0 × 150 mm XL Hex Shaft
MD935N	Flat Screwdriver 1.6 × 10.0 × 200 mm XL Hex Shaft
MD948N	PH Screwdriver PH2 × 38 mm XS

MD953N PH Screwdriver PH3 × 150 mm XL Hex Shaft

TTXEXT13 Extension Bars Set TTX4 13 Pieces

M120020W-C 1/2" Wobble Extension Bar 75 mm
M120024-C 1/2" Extension Bar 500 mm
M120030-C 1/2" Universal Joint
M140022-C 1/4" Extension Bar 150 mm
M140024-C 1/4" Extension Bar 305 mm
M140030-C 1/4" Universal Joint
M380020W-C 3/8" Wobble Extension Bar 75 mm
M380024-C 3/8" Extension Bar 500 mm
M380030-C 3/8" Universal Joint
M380035-C Reducing Adaptor 3/8"F - 1/4"M
MDM711 Hex Mini Screwdriver 2
MDM712 Hex Mini Screwdriver 2.5
T-HD T Bar Handle Grip

TTXF05 Hand File Set TTX4 5 Pieces

FLFT10 Hand File 250 mm Flat
FLHF10 Hand File 250 mm Flat Tapered
FLHR10 Hand File 250 mm Half round
FLRD10 Hand File 250 mm Round
FLTR10 Hand File 250 mm Triangular

TTXMDTN Power Through Screwdriver Set TTX4 5 Pieces

MDT932N Flat Power Through Screwdriver 1.2 × 6.5 mm
MDT934N Flat Power Through Screwdriver 1.2 × 8 mm
MDT935N Flat Power Through Screwdriver 1.6 × 10 mm
MDT952N PH Power Through Screwdriver PH2
MDT953N PH Power Through Screwdriver PH3

TTXPB3 Pry Bar Set Roll/Heel TTX4 3 Pieces

PB12 Pry Bar Roll Heel Type 300 mm
PB16 Pry Bar Roll Heel Type 400 mm
PB20 Pry Bar Roll Heel Type 500 mm

TTXPB3A Pry Bar Set TTX4 3 Pieces

PB12A Pry Bar 300 mm
PB18A Pry Bar 450 mm
PB22A Pry Bar 550 mm