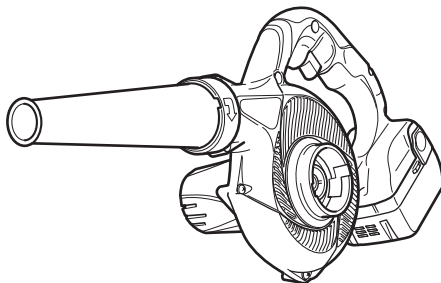


HIKOKI

Cordless Blower
Akku-Gebläse
Soufflette à batterie
Soffiatore-aspiratore a batteria
Snoerloze blaasapparaat
Soplador a batería
Soprador a bateria
Φυσητήρας μπαταρίας

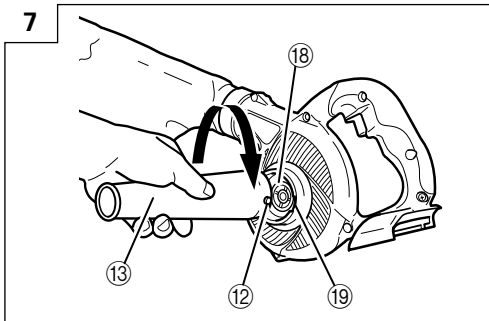
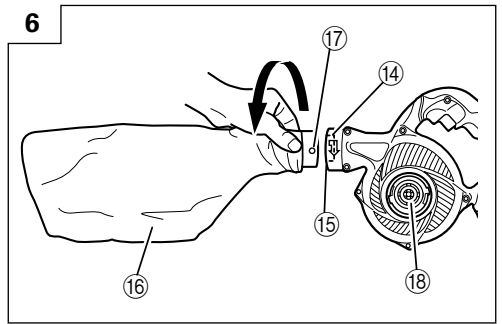
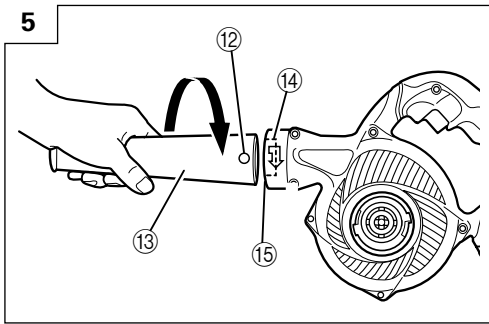
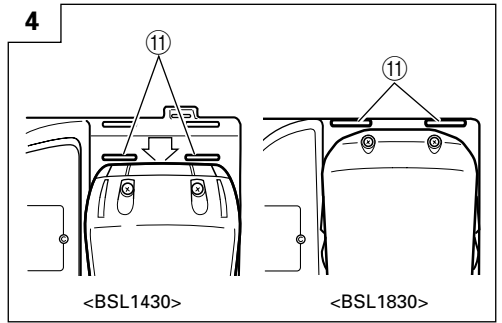
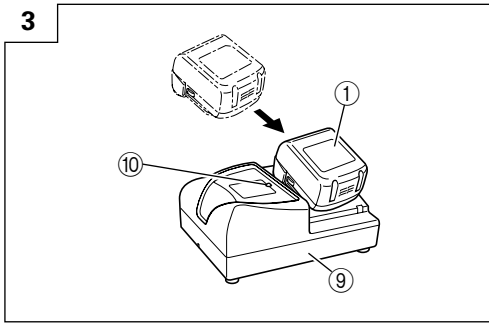
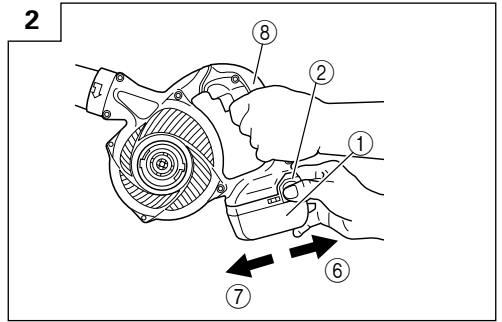
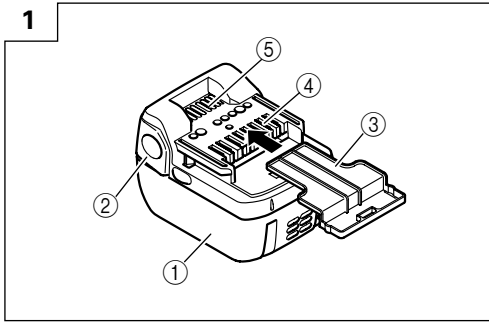
RB 14DSL · RB 18DSL



RB14DSL

Read through carefully and understand these instructions before use.
Diese Anleitung vor Benutzung des Werkzeugs sorgfältig durchlesen und verstehen.
Lire soigneusement et bien assimiler ces instructions avant usage.
Prima dell'uso leggere attentamente e comprendere queste istruzioni.
Deze gebruiksaanwijzing s.v.p. voor gebruik zorgvuldig doorlezen.
Leer cuidadosamente y comprender estas instrucciones antes del uso.
Antes de usar, leia com cuidado para assimilar estas instruções.
Διαβάστε προσεκτικά και κατανοήσετε αυτές τις οδηγίες πριν τη χρήση.

Handling instructions
Bedienungsanleitung
Mode d'emploi
Istruzioni per l'uso
Gebruiksaanwijzing
Instrucciones de manejo
Instruções de uso
Οδηγίες χειρισμού



	English	Deutsch	Français	Italiano
①	Rechargeable battery	Aufladbare Batterie	Batterie rechargeable	Batteria ricaricabile
②	Latch	Verriegelung	Taquet	Fermo
③	Battery cover	Batterieabdeckung	Couvercle de batterie	Coperchio per la batteria
④	Terminals	Anschlüsse	Bornes	Terminali
⑤	Ventilation holes	Belüftungslöcher	Orifices de ventilation	Fori di ventilazione
⑥	Pull out	Herausziehen	Tirer vers l'extérieur	Estrarre
⑦	Insert	Einsetzen	Insérer	Inserire
⑧	Handle	Handgriff	Poignée	Impugnatura
⑨	Charger	Ladegerät	Chargeur	Caricatore
⑩	Pilot lamp	Kontrollampe	Lampe témoin	Spia
⑪	Line	Leitung	Ligne	Linea
⑫	Pin	Stift	Broche	Spina
⑬	Nozzle	Düse	Buse	Beccuccio
⑭	Notch	Rille	Entaille	Tacca
⑮	Blast port	Gebälseöffnung	Orifice de soufflage	Apertura di uscita del Vento
⑯	Dust bag	Staubsack	Sac à poussière	Sacco raccogli-polvere
⑰	Pin	Stift	Broche	Spina
⑱	Suction port	Saugöffnung	Orifice d'aspiration	Apertura di aspirazione
⑲	Notch	Rille	Entaille	Tacca

	Nederlands	Español	Português	Ελληνικά
①	Oplaadbare batterij	Batería recargable	Bateria recarregável	Επαναφορτιζόμενη μπαταρία
②	Vergrendeling	Cierre	Lingüeta	Μάνδαλο
③	Batterijdeksel	Tapa de batería	Tampa da bateria	Κάλυμμα μπαταρίας
④	Aansluitpunten	Terminales	Terminais	Πόλοι
⑤	Ventilatieopeningen	Orificios de ventilación	Orifícios de ventilação	Οπές εξαερισμού
⑥	Uittrekken	Sacar	Retirar	Τραβήξτε έξω
⑦	nsteken	Insertar	Inserir	Εισχωρήστε
⑧	Handgreep	Asidero	Cabo	Χερούλι
⑨	Acculader	Cargador	Carregador	Φορτιστής
⑩	Controlelampje	Lámpara piloto	Lâmpada piloto	Δοκιμαστική λάμπα
⑪	Lijn	Línea	Linha	Γραμμή
⑫	Pin	Patilla	Pino	Πείρος
⑬	Mondstuk	Tobera	Bico	Ακροφύσιο
⑭	Gleuf	Ranura	Entalhe	Εγκοπή
⑮	Ventilatoropening	Acceso de aire de soplado	Porta de ventilação	Στόμιο φυσητήρα
⑯	Stofzak	Colector de polvo	Saco do pó	Σάκος σκόνης
⑰	Pin	Patilla	Pino	Πείρος
⑱	Aanzuigopening	Acceso de aire de succión	Porta de sucção	Στόμιο αναρρόφησης
⑲	Gleuf	Ranura	Entalhe	Εγκοπή

	<p>Symbols ⚠ WARNING The following show symbols used for the machine. Be sure that you understand their meaning before use.</p>	<p>Symbole ⚠ WARNING Die folgenden Symbole werden für diese Maschine verwendet. Achten Sie darauf, diese vor der Verwendung zu verstehen.</p>	<p>Symboles ⚠ AVERTISSEMENT Les symboles suivants sont utilisés pour l'outil. Bien se familiariser avec leur signification avant d'utiliser l'outil.</p>	<p>Simboli ⚠ AVVERTENZA Di seguito mostriamo i simboli usati per la macchina. Assicurarsi di comprenderne il significato prima dell'uso.</p>
	<p>Read all safety warnings and all instructions. Failure to follow the warnings and instructions may result in electric shock, fire and/or serious injury.</p>	<p>Lesen Sie sämtliche Sicherheitshinweise und Anweisungen durch. Wenn die Warnungen und Anweisungen nicht befolgt werden, kann es zu Stromschlag, Brand und/oder ernsthaften Verletzungen kommen.</p>	<p>Lire tous les avertissements de sécurité et toutes les instructions. Tout manquement à observer ces avertissements et instructions peut engendrer des chocs électriques, des incendies et/ou des blessures graves.</p>	<p>Leggere tutti gli avvertimenti di sicurezza e tutte le istruzioni. La mancata osservanza degli avvertimenti e delle istruzioni potrebbe essere causa di scosse elettriche, incendi e/o gravi lesioni.</p>
	<p>Only for EU countries Do not dispose of electric tools together with household waste material! In observance of European Directive 2002/96/EC on waste electrical and electronic equipment and its implementation in accordance with national law, electric tools that have reached the end of their life must be collected separately and returned to an environmentally compatible recycling facility.</p>	<p>Nur für EU-Länder Werfen Sie Elektrowerkzeuge nicht in den Hausmüll! Gemäss Europäischer Richtlinie 2002/96/EG über Elektro- und Elektronik-Altgeräte und Umsetzung in nationales Recht müssen verbrauchte Elektrowerkzeuge getrennt gesammelt und einer umweltgerechten Wiederverwertung zugeführt werden.</p>	<p>Pour les pays européens uniquement Ne pas jeter les appareils électriques dans les ordures ménagères! Conformément à la directive européenne 2002/96/EG relative aux déchets d'équipements électriques ou électroniques (DEEE), et à sa transposition dans la législation nationale, les appareils électriques doivent être collectés à part et être soumis à un recyclage respectueux de l'environnement.</p>	<p>Solo per Paesi UE Non gettare le apparecchiature elettriche tra i rifiuti domestici. Secondo la Direttiva Europea 2002/96/CE sui rifiuti di apparecchiature elettriche ed elettroniche e la sua attuazione in conformità alle norme nazionali, le apparecchiature elettriche esauste devono essere raccolte separatamente, al fine di essere reimpiegate in modo eco-compatibile.</p>
	<p>Symolen ⚠ WAARSCHUWING Hieronder staan symbolen afgebeeld die van toepassing zijn op deze machine. U moet de betekenis hiervan begrijpen voor gebruik.</p>	<p> Símbolos ⚠ ADVERTENCIA A continuación se muestran los símbolos usados para la máquina. Asegúrese de comprender su significado antes del uso.</p>	<p> Símbolos ⚠ AVISO A seguir aparecem os símbolos utilizados pela máquina. Assimile bem seus significados antes do uso.</p>	<p>Σύμβολα ⚠ ΠΡΟΣΟΧΗ Ακολουθούν δείχνουν τα σύμβολα που χρησιμοποιούνται στο μηχάνημα. Βεβαιωθείτε ότι κατανοείτε τη σημασία τους πριν τη χρήση.</p>
	<p>Lees alle waarschuwingen en instructies aandachtig door. Nalating om de waarschuwingen en instructies op te volgen kan in een elektrische schok, brand en/of ernstig letsel resulteren.</p>	<p> Lea todas las instrucciones y advertencias de seguridad. Si no se siguen las advertencias e instrucciones, podría producirse una descarga eléctrica, un incendio y/o daños graves.</p>	<p>Leia todas as instruções e avisos de segurança. Se não seguir todas as instruções e os avisos, pode provocar um choque eléctrico, incêndio e/ou ferimentos graves.</p>	<p> Διαβάξτε όλες τις προειδοποιήσεις ασφαλείας και όλες τις οδηγίες. Η μη τήρηση των προειδοποιήσεων και οδηγιών μπορεί να προκαλέσει ηλεκτροπληξία, πυρκαγιά και/ή σοβαρό τραυματισμό.</p>
	<p>Alleen voor EU-landen Geef elektrisch gereedschap niet met het huisvuil mee! Volgens de Europese richtlijn 2002/96/EG inzake oude elektrische en elektronische apparaten en de toepassing daarvan binnen de nationale wetgeving, dient gebruikt elektrisch gereedschap gescheiden te worden ingezameld en te worden afgevoerd naar een recycle bedrijf dat voldoet aan de geldende milieu-eisen.</p>	<p>Sólo para países de la Unión Europea ¡No deseche los aparatos eléctricos junto con los residuos domésticos! De conformidad con la Directiva Europea 2002/96/CE sobre residuos de aparatos eléctricos y electrónicos y su aplicación de acuerdo con la legislación nacional, las herramientas eléctricas cuya vida útil haya llegado a su fin se deberán recoger por separado y trasladar a una planta de reciclaje que cumpla con las exigencias ecológicas.</p>	<p>Apenas para países da UE Não deite ferramentas eléctricas no lixo doméstico! De acordo com a directiva europeia 2002/96/CE sobre ferramentas eléctricas e electrónicas usadas e a transposição para as leis nacionais, as ferramentas eléctricas usadas devem ser recolhidas em separado e encaminhadas a uma instalação de reciclagem dos materiais ecológica.</p>	<p>Μόνο για τις χώρες της ΕΕ Μην πετάτε τα ηλεκτρικά εργαλεία στον κάδο οικιακών απορριμμάτων! Σύμφωνα με την ευρωπαϊκή οδηγία 2002/96/ΕΚ περί ηλεκτρικών και ηλεκτρονικών συσκευών και την ενσωμάτωσή της στο εθνικό δίκαιο, τα ηλεκτρικά εργαλεία πρέπει να συλλέγονται ξεχωριστά και να επιστρέφονται για ανακύκλωση με τρόπο φιλικό προς το περιβάλλον.</p>

GENERAL POWER TOOL SAFETY WARNINGS

⚠ WARNING

Read all safety warnings and all instructions.

Failure to follow the warnings and instructions may result in electric shock, fire and/or serious injury.

Save all warnings and instructions for future reference.

The term "power tool" in the warnings refers to your mains-operated (corded) power tool or battery-operated (cordless) power tool.

1) Work area safety

- a) **Keep work area clean and well lit.**

Cluttered or dark areas invite accidents.

- b) **Do not operate power tools in explosive atmospheres, such as in the presence of flammable liquids, gases or dust.**

Power tools create sparks which may ignite the dust or fumes.

- c) **Keep children and bystanders away while operating a power tool.**

Distractions can cause you to lose control.

2) Electrical safety

- a) **Power tool plugs must match the outlet.**

Never modify the plug in any way.

Do not use any adapter plugs with earthed (grounded) power tools.

Unmodified plugs and matching outlets will reduce risk of electric shock.

- b) **Avoid body contact with earthed or grounded surfaces, such as pipes, radiators, ranges and refrigerators.**

There is an increased risk of electric shock if your body is earthed or grounded.

- c) **Do not expose power tools to rain or wet conditions.**

Water entering a power tool will increase the risk of electric shock.

- d) **Do not abuse the cord. Never use the cord for carrying, pulling or unplugging the power tool. Keep cord away from heat, oil, sharp edges or moving parts.**

Damaged or entangled cords increase the risk of electric shock.

- e) **When operating a power tool outdoors, use an extension cord suitable for outdoor use.**

Use of a cord suitable for outdoor use reduces the risk of electric shock.

- f) **If operating a power tool in a damp location is unavoidable, use a residual current device (RCD) protected supply.**

Use of an RCD reduces the risk of electric shock.

3) Personal safety

- a) **Stay alert, watch what you are doing and use common sense when operating a power tool. Do not use a power tool while you are tired or under the influence of drugs, alcohol or medication.**

A moment of inattention while operating power tools may result in serious personal injury.

- b) **Use personal protective equipment. Always wear eye protection.**

Protective equipment such as dust mask, non-skid safety shoes, hard hat, or hearing protection used for appropriate conditions will reduce personal injuries.

- c) **Prevent unintentional starting. Ensure the switch is in the off-position before connecting to power source and/or battery pack, picking up or carrying the tool.**

Carrying power tools with your finger on the switch or energising power tools that have the switch on invites accidents.

- d) **Remove any adjusting key or wrench before turning the power tool on.**

A wrench or a key left attached to a rotating part of the power tool may result in personal injury.

- e) **Do not overreach. Keep proper footing and balance at all times.**

This enables better control of the power tool in unexpected situations.

- f) **Dress properly. Do not wear loose clothing or jewellery. Keep your hair, clothing and gloves away from moving parts.**

Loose clothes, jewellery or long hair can be caught in moving parts.

- g) **If devices are provided for the connection of dust extraction and collection facilities, ensure these are connected and properly used.**

Use of dust collection can reduce dust related hazards.

4) Power tool use and care

- a) **Do not force the power tool. Use the correct power tool for your application.**

The correct power tool will do the job better and safer at the rate for which it was designed.

- b) **Do not use the power tool if the switch does not turn it on and off.**

Any power tool that cannot be controlled with the switch is dangerous and must be repaired.

- c) **Disconnect the plug from the power source and/or the battery pack from the power tool before making any adjustments, changing accessories, or storing power tools.**

Such preventive safety measures reduce the risk of starting the power tool accidentally.

- d) **Store idle power tools out of the reach of children and do not allow persons unfamiliar with the power tool or these instructions to operate the power tool.**

Power tools are dangerous in the hands of untrained users.

- e) **Maintain power tools. Check for misalignment or binding of moving parts, breakage of parts and any other condition that may affect the power tools operation.**

If damaged, have the power tool repaired before use.

Many accidents are caused by poorly maintained power tools.

- f) **Keep cutting tools sharp and clean.**

Properly maintained cutting tools with sharp cutting edges are less likely to bind and are easier to control.

- g) **Use the power tool, accessories and tool bits etc. in accordance with these instructions, taking into account the working conditions and the work to be performed.**

Use of the power tool for operations different from those intended could result in a hazardous situation.

5) Battery tool use and care

a) Recharge only with the charger specified by the manufacturer.

A charger that is suitable for one type of battery pack may create a risk of fire when used with another battery pack.

b) Use power tools only with specifically designated battery packs.

Use of any other battery packs may create a risk of injury and fire.

c) When battery pack is not in use, keep it away from other metal objects like paper clips, coins, keys, nails, screws, or other small metal objects that can make a connection from one terminal to another.

Shorting the battery terminals together may cause burns or a fire.

d) Under abusive conditions, liquid may be ejected from the battery; avoid contact. If contact accidentally occurs, flush with water. If liquid contacts eyes, additionally seek medical help. Liquid ejected from the battery may cause irritation or burns.

6) Service

a) Have your power tool serviced by a qualified repair person using only identical replacement parts.

This will ensure that the safety of the power tool is maintained.

PRECAUTION

Keep children and infirm persons away.

When not in use, tools should be stored out of reach of children and infirm persons.

CAUTION ON LITHIUM-ION BATTERY

To extend the lifetime, the lithium-ion battery equips with the protection function to stop the output.

In the cases of 1 and 2 described below, when using this product, even if you are pulling the switch, the motor may stop. This is not the trouble but the result of protection function.

1. When the battery power remaining runs out, the motor stops.
In such case, charge it up immediately.
2. If the tool is overloaded, the motor may stop. In this case, release the switch of tool and eliminate causes of overloading. After that, you can use it again.

Furthermore, please heed the following warning and caution.

WARNING

In order to prevent any battery leakage, heat generation, smoke emission, explosion and ignition beforehand, please be sure to heed the following precautions.

1. Make sure that swarf and dust do not collect on the battery.
 - During work make sure that swarf and dust do not fall on the battery.
 - Make sure that any swarf and dust falling on the power tool during work do not collect on the battery.
 - Do not store an unused battery in a location exposed to swarf and dust.
 - Before storing a battery, remove any swarf and dust that may adhere to it and do not store it together with metal parts (screws, nails, etc.).

2. Do not pierce battery with a sharp object such as a nail, strike with a hammer, step on, throw or subject the battery to severe physical shock.
3. Do not use an apparently damaged or deformed battery.
4. Do not use the battery in reverse polarity.
5. Do not connect directly to an electrical outlets or car cigarette lighter sockets.
6. Do not use the battery for a purpose other than those specified.
7. If the battery charging fails to complete even when a specified recharging time has elapsed, immediately stop further recharging.
8. Do not put or subject the battery to high temperatures or high pressure such as into a microwave oven, dryer, or high pressure container.
9. Keep away from fire immediately when leakage or foul odor are detected.
10. Do not use in a location where strong static electricity generates.
11. If there is battery leakage, foul odor, heat generated, discolored or deformed, or in any way appears abnormal during use, recharging or storage, immediately remove it from the equipment or battery charger, and stop use.

CAUTION

1. If liquid leaking from the battery gets into your eyes, do not rub your eyes and wash them well with fresh clean water such as tap water and contact a doctor immediately.
If left untreated, the liquid may cause eye-problems.
2. If liquid leaks onto your skin or clothes, wash well with clean water such as tap water immediately.
There is a possibility that this can cause skin irritation.
3. If you find rust, foul odor, overheating, discolor, deformation, and/or other irregularities when using the battery for the first time, do not use and return it to your supplier or vendor.

WARNING

If an electrically conductive foreign object enters the terminals of the lithium ion battery, a short-circuit may occur resulting in the risk of fire. Please observe the following matters when storing the battery.

- **Do not place electrically conductive cuttings, nails, steel wire, copper wire or other wire in the storage case.**
- **Either install the battery in the power tool or store by securely pressing into the battery cover until the ventilation holes are concealed to prevent short-circuits. (See Fig. 1)**

PRECAUTIONS FOR CORDLESS BLOWER

1. Always charge the battery at a temperature of 0 – 40°C. A temperature of less than 0°C will result in over charging which is dangerous. The battery cannot be charged at a temperature higher than 40°C.
The most suitable temperature for charging is that of 20 – 25°C.
2. When one charging is completed, leave the charger for about 15 minutes before the next charging of battery.
Do not charge more than two batteries consecutively.

3. Do not allow foreign matter to enter the hole for connecting the rechargeable battery.
4. Never disassemble the rechargeable battery and charger.
5. Never short-circuit the rechargeable battery. Short-circuiting the battery will cause a great electric current and overheating. It results in burn or damage to the battery.
6. Do not dispose of the battery in fire. If the battery is burnt, it may explode.
7. Bring the battery to the shop from which it was purchased as soon as the post-charging battery life becomes too short for practical use. Do not dispose of the exhausted battery.
8. Using an exhausted battery will damage the charger.
9. Do not insert object into the air ventilation slots of the charger. Inserting metal objects or inflammables into the charger air ventilation slots will result in electrical shock hazard or damaged charger.
10. Do not put your hands or face near the cordless blower opening during use. Doing so might lead to injuries.
11. Remove this unit a safe distance away from electrical conductors when cleaning sections carrying electrical power such as the electrical panel.
12. Do not block the cordless blower opening or intake. Blocking the cordless blower opening will cause an increase in the motor rotation speed abnormally and might damage the vanes on the inner section of the unit or cause injuries. The motor might also overheat and cause a fire.
13. Do not use in locations where inflammable materials such as lacquer, paint, benzene, thinner or gasoline are present. Also do not let items such as lighted cigarette butts be suctioned inside at such locations. Explosion or fires might result.
14. Do not use in environments subject to heavy doses of chemicals, etc. Plastic sections such as the vanes on the inner section of the unit might weaken and break, and injuries might occur.
15. If you notice the unit is operating poorly or making abnormal noises, immediately stop using and shut off the power switch. Request an inspection and repair from the dealer where you purchased the unit or a HiKOKI Authorized Service Center. Continuing to use while operating abnormally might cause injuries.
16. If the unit is mistakenly dropped or strikes another object, make a thorough check of the unit for cracks, breakage or deformation, etc. Injuries might occur if the unit has cracks, breakage or deformation.
17. Do not use near objects generating high heat such as stoves. Fires might occur if used near such locations.
18. Make a thorough inspection if using the cordless blower to blow or clean viscous powder or dust particles. Powder or dust particles might be suctioned in and adhere internally, causing the vanes to break or injuries to occur.
19. Do not leave on locations such as benches or floors while still rotating. Injuries might occur.

SPECIFICATIONS

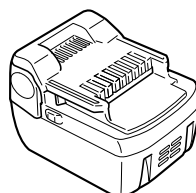
Model	RB14DSL (Without battery and charger)	RB18DSL (Without battery and charger)
No-load speed	0 – 15000 min ⁻¹	
Air pressure	0 – 3.9 kPa	
Air volume	0 – 2.2 m ³ / min	
Continuous operating time	15 min (Battery: 14.4 V, 3.0 Ah)	19 min (Battery: 18 V, 3.0 Ah)
Usable battery (Optional accessories)	BSL1430: Li-ion 14.4 V (3.0 Ah, 8 cells)	BSL1830: Li-ion 18 V (3.0 Ah, 10 cells)
Usable charger (Optional accessory)	UC18YRSL	
Weight (With battery)	1.5 kg	1.6 kg

STANDARD ACCESSORIES

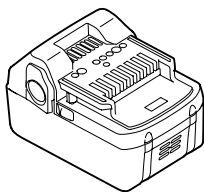
- Nozzle 1
 Standard accessories are subject to change without notice.

OPTIONAL ACCESSORIES (sold separately)

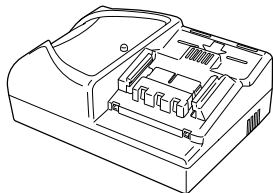
1. Battery
 (1) BSL1430: RB14DSL



(2) BSL1830: RB18DSL



2. Charger (UC18YRSL)
Charging voltage: 14.4 V 18 V



3. Dust bag



Optional accessories are subject to change without notice.

APPLICATIONS

- Cleaning facilities and equipment in lumbermills, cigarette-making plants, spinning mills, etc.
- Cleaning devices and equipment in repair shops.
- Blowing operation.

BATTERY REMOVAL/INSTALLATION

1. Battery removal

Hold the handle tightly and push the battery latch (2 pcs.) to remove the battery (see **Figs. 1** and **2**).

CAUTION

Never short-circuit the battery.

2. Battery installation

Insert the battery while observing its polarities (see **Fig. 2**).

CHARGING

For rechargeable batteries, please charge in according to the handling instructions of the charger which you are using. (**Fig. 3, 4**)

PRIOR TO OPERATION

1. Setting up and checking the work environment

Check if the work environment is suitable by following the precautions.

MOUNTING AND DISMOUNTING THE NOZZLE AND DUST BAG

1. Mounting the Nozzle

Insert the pin located outside the nozzle into the notch provided on the blast port, and fully turn the nozzle in the direction indicated by the arrow in **Fig. 5**.

To dismount the nozzle, follow the above procedures in reverse.

2. When using the Cordless Blower for dust collection

(1) Mounting the Dust Bag

Mount the dust bag on the blast port, following the same procedure described above for mounting of the nozzle (**Fig. 6**).

(2) Mounting the nozzle

Insert the pin located on the outside of the nozzle into the notch provided on the suction port, and fully turn the nozzle in the direction indicated by the arrow in **Fig. 7**.

HOW TO USE THE CORDLESS BLOWER

1. Switch operation

When the trigger switch is depressed, the tool rotates. When the trigger is released, the tool stops.

2. An excessively large volume of dust in the dust bag will reduce the dust collecting efficiency of the cordless blower. Frequently empty the dust bag to ensure maximum dust collecting efficiency.

MAINTENANCE AND INSPECTION

1. Inspecting the mounting screws

Regularly inspect all mounting screws and ensure that they are properly tightened. Should any of the screws be loose, retighten them immediately. Failure to do so could result in serious hazard.

2. Maintenance of the motor

The motor unit winding is the very "heart" of the power tool.

Exercise due care to ensure the winding does not become damaged and/or wet with oil or water.

3. Cleaning on the outside

When the cordless blower is stained, wipe with a soft dry cloth or a cloth moistened with soapy water. Do not use chloric solvents, gasoline or paint thinner, for they melt plastics.

4. Storage

Store the cordless blower in a place in which the temperature is less than 40°C and out of reach of children.

5. Service parts list

CAUTION

Repair, modification and inspection of HiKOKI Power Tools must be carried out by a HiKOKI Authorized Service Center.

This Parts List will be helpful if presented with the tool to the HiKOKI Authorized Service Center when requesting repair or other maintenance.

In the operation and maintenance of power tools, the safety regulations and standards prescribed in each country must be observed.

MODIFICATIONS

HiKOKI Power Tools are constantly being improved and modified to incorporate the latest technological advancements.

Accordingly, some parts may be changed without prior notice.

Important notice on the batteries for the HiKOKI cordless power tools

Please always use one of our designated genuine batteries. We cannot guarantee the safety and performance of our cordless power tool when used with batteries other than these designated by us, or when the battery is disassembled and modified (such as disassembly and replacement of cells or other internal parts).

GUARANTEE

We guarantee HiKOKI Power Tools in accordance with statutory/country specific regulation. This guarantee does not cover defects or damage due to misuse, abuse, or normal wear and tear. In case of complaint, please send the Power Tool, undismantled, with the GUARANTEE CERTIFICATE found at the end of this Handling instruction, to a HiKOKI Authorized Service Center.

NOTE

Due to HiKOKI's continuing program of research and development, the specifications herein are subject to change without prior notice.

Information concerning airborne noise and vibration

The measured values were determined according to EN60745 and declared in accordance with ISO 4871.

Measured A-weighted sound power level: 91 dB (A)

Measured A-weighted sound pressure level: 80 dB (A)

Uncertainty KpA: 3 dB (A).

Wear hearing protection.

Vibration total values (triax vector sum) determined according to EN60745.

Vibration emission value a_{rh} = 2.9 m/s²

Uncertainty K = 1.5 m/s²

WARNING

- The vibration emission value during actual use of the power tool can differ from the declared value depending on the ways in which the tool is used.
- To identify the safety measures to protect the operator that are based on an estimation of exposure in the actual conditions of use (taking account of all parts of the operating cycle such as the times when the tool is switched off and when it is running idle in addition to the trigger time).

ALLGEMEINE SICHERHEITSHINWEISE FÜR ELEKTROGERÄTE

⚠️ WARNUNG

Lesen Sie sämtliche Sicherheitshinweise und Anweisungen durch

Wenn die Warnungen und Anweisungen nicht befolgt werden, kann es zu Stromschlag, Brand und/oder ernsthaften Verletzungen kommen.

Bitte bewahren Sie alle Warnhinweise und Anweisungen zum späteren Nachschlagen auf.

Der Begriff „Elektrowerkzeug“ bezieht sich in den Warnhinweisen auf Elektrowerkzeuge mit Netz-(schnurgebunden) oder Akkubetrieb (schnurlos).

1) Sicherheit im Arbeitsbereich

- Sorgen Sie für einen sauberen und gut ausgeleuchteten Arbeitsbereich.**
Zugestellte oder dunkle Bereiche ziehen Unfälle förmlich an.
- Verwenden Sie Elektrowerkzeuge niemals an Orten, an denen Explosionsgefahr besteht – zum Beispiel in der Nähe von leicht entflammbaren Flüssigkeiten, Gasen oder Stäuben.**
Bei der Arbeit mit Elektrowerkzeugen kann es zu Funkenbildung kommen, wodurch sich Stäube oder Dämpfe entzünden können.
- Sorgen Sie bei der Arbeit mit Elektrowerkzeugen dafür, dass sich keine Zuschauer (insbesondere Kinder) in der Nähe befinden.**
Wenn Sie abgelenkt werden, können Sie die Kontrolle über das Werkzeug verlieren.

2) Elektrische Sicherheit

- Elektrowerkzeuge müssen mit passender Stromversorgung betrieben werden.**
Nehmen Sie niemals irgendwelche Änderungen am Anschlussstecker vor.
Verwenden Sie bei Elektrowerkzeugen mit Schutzkontakt (geerdet) niemals Adapterstecker.
Stecker im Originalzustand und passende Steckdosen reduzieren das Stromschlagrisiko.
- Vermeiden Sie Körperkontakt mit geerdeten Gegenständen wie Rohrleitungen, Heizungen, Herden oder Kühlschränken.**
Bei Körperkontakt mit geerdeten Gegenständen besteht ein erhöhtes Stromschlagrisiko.
- Setzen Sie Elektrowerkzeuge niemals Regen oder sonstiger Feuchtigkeit aus.**
Wenn Flüssigkeiten in ein Elektrowerkzeug eindringen, erhöht sich das Stromschlagrisiko.
- Verwenden Sie die Anschlusschnur nicht missbräuchlich. Tragen Sie das Elektrowerkzeug niemals an der Anschlusschnur, ziehen Sie es nicht damit heran und ziehen Sie den Stecker nicht an der Anschlusschnur aus der Steckdose. Halten Sie die Anschlusschnur von Hitzequellen, Öl, scharfen Kanten und beweglichen Teilen fern.**
Beschädigte oder verdrehte Anschlusschnüre erhöhen das Stromschlagrisiko.
- Wenn Sie ein Elektrowerkzeug im Freien benutzen, verwenden Sie ein für den Außeneinsatz geeignetes Verlängerungskabel.**
Ein für den Außeneinsatz geeignetes Kabel vermindert das Stromschlagrisiko.
- Falls sich der Betrieb des Elektrowerkzeuges in feuchter Umgebung nicht vermeiden lässt, verwenden Sie eine Stromversorgung mit Fehlerstromschutzeinrichtung (Residual Current Device, RCD).**

Durch den Einsatz einer Fehlerstromschutzeinrichtung wird das Risiko eines elektrischen Schlags reduziert.

3) Persönliche Sicherheit

- Bleiben Sie wachsam, achten Sie auf das, was Sie tun, und setzen Sie Ihren Verstand ein, wenn Sie mit Elektrowerkzeugen arbeiten. Benutzen Sie keine Elektrowerkzeuge, wenn Sie müde sind oder unter Einfluss von Drogen, Alkohol oder Medikamenten stehen.**
Bei der Arbeit mit Elektrowerkzeugen können bereits kurze Phasen der Unaufmerksamkeit zu schweren Verletzungen führen.
 - Benutzen Sie eine persönliche Schutzausrüstung. Tragen Sie immer einen Augenschutz.**
Schutzausrüstung wie Staubmaske, rutschsichere Sicherheitsschuhe, Schutzhelm und Gehörschutz senken das Verletzungsrisiko bei angemessenem Einsatz.
 - Vermeiden Sie unbeabsichtigten Anlauf. Achten Sie darauf, dass sich der Schalter in der Aus-(Off-) Position befindet, ehe Sie das Gerät mit der Stromversorgung und/oder Batteriestromversorgung verbinden, es aufheben oder herumtragen.**
Das Herumtragen von Elektrowerkzeugen mit dem Finger am Schalter oder das Herstellen der Stromversorgung bei betätigtem Schalter zieht Unfälle regelrecht an.
 - Entfernen Sie sämtliche Einstellwerkzeuge (Einstellschlüssel), ehe Sie das Elektrowerkzeug einschalten.**
Ein an einem beweglichen Teil des Elektrowerkzeugs angebrachter Schlüssel kann zu Verletzungen führen.
 - Sorgen Sie für einen festen Stand. Achten Sie jederzeit darauf, sicher zu stehen und das Gleichgewicht zu bewahren.**
Dadurch haben Sie das Elektrowerkzeug in unerwarteten Situationen besser im Griff.
 - Kleiden Sie sich richtig. Tragen Sie keine lose Kleidung oder Schmuck. Halten Sie Haar, Kleidung und Handschuhe von beweglichen Teilen fern.**
Lose Kleidung, Schmuck oder langes Haar kann von beweglichen Teilen erfasst werden.
 - Wenn Anschlüsse für Staubabsaug- und -sammelvorrichtungen vorhanden sind, sorgen Sie dafür, dass diese richtig angeschlossen und eingesetzt werden.**
Durch Entfernen des Staubes können staubbezogene Gefahren vermindert werden.
- ### 4) Einsatz und Pflege von Elektrowerkzeugen
- Überschreiten Sie die Leistungsgrenzen nicht. Benutzen Sie das richtige Elektrowerkzeug für Ihren Einsatzzweck.**
Das richtige Elektrowerkzeug erledigt seine Arbeit bei bestimmungsgemäßem Einsatz besser und sicherer.
 - Benutzen Sie das Elektrowerkzeug nicht, wenn es sich nicht am Schalter ein- und ausschalten lässt.**
Jedes Elektrowerkzeug, das nicht mit dem Schalter betätigt werden kann, stellt eine Gefahr dar und muss repariert werden.
 - Stecken Sie den Stecker der Stromversorgung oder Batteriestromversorgung vom Gerät ab, ehe Sie Einstellarbeiten vornehmen, Zubehörteile tauschen oder das Elektrowerkzeug verstauen.**
Solche präventiven Sicherheitsmaßnahmen verhindern den unbeabsichtigten Anlauf des Elektrowerkzeugs und die damit verbundenen Gefahren.

- d) Lagern Sie nicht benutzte Elektrowerkzeuge außerhalb der Reichweite von Kindern, lassen Sie nicht zu, dass Personen das Elektrowerkzeug bedienen, die nicht mit dem Werkzeug selbst und/oder diesen Anweisungen vertraut sind.
Elektrowerkzeuge in ungeschulten Händen sind gefährlich.
- e) Halten Sie Elektrowerkzeuge in Stand. Prüfen Sie auf Fehlausrichtungen, sicheren Halt und Leichtgängigkeit beweglicher Teile, Beschädigungen von Teilen und auf jegliche andere Zustände, die sich auf den Betrieb des Elektrowerkzeugs auswirken können. Bei Beschädigungen lassen Sie das Elektrowerkzeug reparieren, ehe Sie es benutzen. *Viele Unfälle mit Elektrowerkzeugen sind auf schlechte Wartung zurückzuführen.*
- f) Halten Sie Schneidwerkzeuge scharf und sauber. *Richtig gewartete Schneidwerkzeuge mit scharfen Schneidkanten bleiben weniger häufig hängen und sind einfacher zu beherrschen.*
- g) Benutzen Sie Elektrowerkzeuge, Zubehör, Werkzeugspitzen und Ähnliches in Übereinstimmung mit diesen Anweisungen – beachten Sie dabei die jeweiligen Arbeitsbedingungen und die Art und Weise der auszuführenden Arbeiten.
Der Gebrauch des Elektrowerkzeuges für andere als die vorgesehenen Anwendungen kann zu gefährlichen Situationen führen.
- 5) Verwendung und Pflege der Batterie
- a) Laden Sie das Gerät nur mit dem vom Hersteller empfohlenen Ladegerät auf.
Ein Ladegerät für einen speziellen Batterietyp kann bei Verwendung mit anderen Batterien zu Gefahren führen.
- b) Verwenden Sie für das Gerät nur die speziell empfohlenen Batterien.
Eine Verwendung von anderen Batterien kann zu Verletzungen und Bränden führen.
- c) Ist die Batterie nicht in Gebrauch, achten Sie darauf, dass sie nicht mit metallischen Gegenständen, beispielsweise Büroklammern, Münzen, Schlüssel, Nägel, Schrauben in Kontakt kommt, da diese Gegenstände einen Kurzschluss der Anschlüsse verursachen könnten.
Ein Kurzschluss der Batterieanschlüsse kann zu Verbrennungen oder Bränden führen.
- d) Im Falle von Störungen, kann Flüssigkeit aus der Batterie austreten. Vermeiden Sie in diesem Fall jeglichen Kontakt. Sollten Sie dennoch mit der Batterie in Berührung kommen, waschen Sie die betroffene Stelle gründlich mit Wasser ab. Ist die Flüssigkeit ins Auge geraten, suchen Sie einen Arzt auf.
Ausgetretene Batterieflüssigkeiten können zu Reizungen oder Verbrennungen führen.
- 6) Service
- a) Lassen Sie Elektrowerkzeuge durch qualifizierte Fachkräfte und unter Einsatz passender, zugelassener Originalteile warten.
Dies sorgt dafür, dass die Sicherheit des Elektrowerkzeugs nicht beeinträchtigt wird.

VORSICHT

Von Kindern und gebrechlichen Personen fernhalten. Werkzeuge sollten bei Nichtgebrauch außerhalb der Reichweite von Kindern und gebrechlichen Personen aufbewahrt werden.

WARNUNG ZUM LITHIUM-IONEN-AKKU

Um die Lebensdauer des Lithium-Ionen-Akkus zu verlängern, ist dieser mit einer Schutzfunktion zum Stoppen der Leistungsabgabe ausgestattet.

In den unten beschriebenen Fällen 1 und 2 kann bei der Benutzung dieses Produkts der Motor abschalten, selbst wenn Sie den Schalter drücken. Dies ist kein Defekt sondern das Resultat der Schutzfunktion.

1. Wenn die verbleibende Akkuleistung nicht mehr ausreicht, schaltet der Motor ab.
Laden Sie in einem solchen Fall den Akku umgehend auf.
2. Wenn das Werkzeug überlastet ist, kann es zum Abschalten des Motors kommen. Lassen Sie in diesem Fall den Schalter des Geräts los und beseitigen Sie die Ursache der Überlastung. Danach können Sie das Gerät wieder verwenden.
Bitte beachten Sie die folgenden Warnhinweise.

WARNUNG

Zur Vermeidung einer ausgelaufenen Batterie, Erwärmung, Rauchentwicklung, Explosionen und vorzeitiger Zündung beachten Sie bitte die folgenden Vorsichtsmaßnahmen.

1. Stellen Sie sicher, dass sich Späne und Staub nicht auf der Batterie ansammeln.
 - Stellen Sie während der Arbeit sicher, dass Späne und Staub nicht auf die Batterie fallen.
 - Stellen Sie sicher, dass Staub und Späne, die während der Bearbeitung auf das Elektrowerkzeug fallen, nicht in die Batterie gelangen.
 - Lagern Sie ungebrauchte Batterien nicht an Plätzen, an denen Staub oder Späne anfallen.
 - Vor dem Einlagern einer Batterie sind sämtlicher Staub und Späne zu entfernen. Weiterhin ist zu berücksichtigen, dass die Batterie nicht gemeinsam mit Metallteilen (Schrauben, Nägel, usw.) zu lagern ist.
2. Achten Sie darauf, dass die Batterie nicht durch einen spitzen Gegenstand, beispielsweise einen Nagel, beschädigt wird. Vermeiden Sie Schläge mit dem Hammer. Treten Sie nicht gegen die Batterie, werfen Sie diese nicht, und vermeiden Sie Stöße.
3. Beschädigte oder verformte Batterien dürfen nicht weiter verwendet werden.
4. Achten Sie auf den richtigen Anschluss der Pole.
5. Schließen Sie die Batterie nicht direkt an elektrische Ausgänge oder Zigarettenanzünder im Auto an.
6. Verwenden Sie die Batterie nur für den angegebenen Zweck.
7. Falls die Batterie nach Verstreichen der angegebenen Ladezeit nicht vollständig aufgeladen ist, brechen Sie den Ladevorgang unverzüglich ab.
8. Vermeiden Sie hohe Temperaturen und hohen Druck, wie er beispielsweise in der Mikrowelle, einem Trockner oder einem Hochdruckbehälter auftritt.
9. Wenn Sie ein Leck oder Rußgeruch feststellen, vermeiden Sie jeglichen Kontakt mit Feuerstellen.
10. Vermeiden Sie eine Verwendung an Orten, an denen starke statische Elektrizität erzeugt wird.
11. Werden ein Leck, Rußgeruch, Erwärmung, Verfärbungen, Verformungen oder sonstige Anomalitäten während der Verwendung, des Aufladens oder der Lagerung festgestellt, entfernen

Sie die Batterie unverzüglich vom Gerät oder dem Ladegerät und beenden Sie die Anwendung.

VORSICHT

1. Tritt die auslaufende Flüssigkeit in Kontakt mit Ihren Augen, reiben Sie diese nicht, sondern waschen Sie sie mit sauberem (Leitungs-) Wasser gut aus und suchen Sie unverzüglich einen Arzt auf. Ohne sachgemäße Behandlung können Augenverletzungen auftreten.
2. Wenn die ausgelaufene Flüssigkeit auf Haut oder Kleidung trifft, waschen Sie diese unverzüglich mit sauberem Wasser ab. Es besteht die Gefahr von Hautreizungen.
3. Beim Auftreten von Rost, Rußgeruch, Erwärmung, Verfärbungen, Verformungen oder sonstigen Anomalitäten während der ersten Verwendung der Batterie, ist diese nicht weiter zu verwenden. Bringen Sie die Batterie zum Händler oder Verkäufer zurück.

WARNUNG

Wenn ein elektrischer Fremdkörper an die Anschlüsse des Lithium-Ionen-Akkus gelangt, kann es zu einem Kurzschluss und der Gefahr eines Feuers kommen. Beachten Sie folgende Vorsichtsmaßnahmen bei der Aufbewahrung des Akkus.

- **Legen Sie keine elektrisch leitenden Späne, Nägel, Stahldraht, Kupferdraht oder anderen Draht in den Aufbewahrungskoffer.**
- **Setzen Sie den Akku entweder in das Gerät ein oder lagern Sie ihn, um Kurzschlüsse zu vermeiden, indem Sie ihn in die Batterieabdeckung hineindrücken, bis die Belüftungslöcher verdeckt sind. (Siehe Abb. 1)**

VORSICHTSMASSNAHMEN FÜR DAS AKKU-GEBLÄSE

1. Die Batterie immer bei einer Temperatur von 0 – 40°C laden. Laden bei einer Temperatur, die niedriger als 0°C ist, wird gefährliche Überladung verursachen, die Batterie kann nicht bei einer Temperatur über 40°C geladen werden. Die beste Temperatur zum Laden wäre von 20 – 25°C.
2. Nach Beendigung einer Ladung, lassen Sie das Ladegerät ungefähr 15 Minuten ruhen bevor die nächste Batterieladung unternommen wird. Nicht mehr als zwei Batterien nacheinander laden.
3. Keine Fremdkörper durch das Anschlußloch der Batterie eindringen lassen.
4. Niemals die Batterie und das Ladegerät auseinandernehmen.
5. Niemals die Batterie kurzschließen. Kurzschluß der Batterie verursacht eine zu große Stromzufuhr und Überhitzung, wodurch Durchbrennen oder Schaden beider Batterie entsteht.
6. Die Batterie nicht ins Feuer werfen. Sie könnte dabei explodieren.
7. Bringen Sie die Batterie zum Geschäft, wo Sie ihn gekauft haben sobald die Lebensdauer der Batterie abrinnt. Die erschöpfte Batterie nicht wegwerfen.
8. Benutzung verbrauchter Batterie beschädigt den Auflader.
9. Darauf achten, daß keine Gegenstände durch Belüftungsschlitze des Aufladers in das Gerät eindringen.

Wenn Metallobjekte oder entzündliche Gegenstände durch die Belüftungsschlitze des Aufladers eindringen, kann dies zu elektrischen Schlägen führen oder den Auflader beschädigen.

10. Gesicht und Hände während des Betriebes von der Öffnung des Akku-Gebläses fernhalten. Anderenfalls können Verletzungen auftreten.
11. Bei der Reinigung von stromführenden Geräten wie Verteilerkästen einen Sicherheitsabstand zu elektrischen Leitern einhalten.
12. Ein Blockieren der Auslass- oder Ansaugöffnung des Akku-Gebläses vermeiden. Blockieren der Akku-Gebläse-Öffnung führt zu einem abnormen Anstieg der Motorrotationsgeschwindigkeit und kann eine Beschädigung der Blätter im Geräteinneren oder Verletzungen zur Folge haben. Zudem kann sich der Motor überhitzen und ein Feuer verursachen.
13. Das Gerät nicht an Orten verwenden, an denen entzündliche Stoffe wie Lack, Farbe, Benzol, Verdünnern oder Benzin vorhanden sind. Vermeiden Sie außerdem, dass an solchen Orten Gegenstände wie brennende Zigaretten aufgesaugt werden. Anderenfalls können Explosionen oder Feuer auftreten.
14. Das Gerät nicht in Umgebungen verwenden, in denen Chemikalien oder ähnliche Stoffe in hoher Konzentration vorhanden sind. Plastikteile wie die Blätter im Geräteinneren könnten angegriffen werden, brechen und Verletzungen verursachen.
15. Bei Auftreten eines Leistungsabfalls oder ungewöhnlicher Geräusche des Geräts, die Benutzung unverzüglich unterbrechen und den Netzschalter ausschalten. Verlangen Sie bei dem Händler, bei dem Sie das Gerät erworben haben oder einem autorisierten HiKOKI-Kundendienstzentrum eine Überprüfung und Reparatur. Eine weitere Verwendung bei abnormem Betrieb kann Verletzungen zur Folge haben.
16. Bei versehentlichem Fallenlassen oder Anstoßen des Geräts ist es sorgfältig auf Risse, Bruchstellen oder Verformungen etc. zu überprüfen. Risse, Bruchstellen oder Verformungen könnten Verletzungen zur Folge haben.
17. Das Gerät nicht in der Nähe von Quellen großer Hitze wie z.B. Kochherden verwenden. Eine Verwendung in der Nähe solcher Gegenstände könnte zu Feuern führen.
18. Das Gerät sorgfältig überprüfen, wenn das Akku-Gebläse dazu verwendet wird, viskoses Pulver oder Staubpartikel wegzublasen oder aufzusaugen. Pulver oder Staubpartikel könnten aufgesaugt werden, im Geräteinneren anhaften und ein Brechen der Blätter oder Verletzungen verursachen.
19. Das Gerät nicht auf Gegenstände wie Bänke oder den Boden legen, während es noch rotiert. Anderenfalls könnten Verletzungen auftreten.

TECHNISCHE DATEN

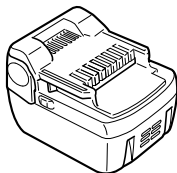
Modell	RB14DSL (Ohne Batterie und Ladegerät)	RB18DSL (Ohne Batterie und Ladegerät)
Leerlaufdrehzahl	0 – 15000 min ⁻¹	
Luftdruck	0 – 3,9 kPa	
Luftvolumen	0 – 2,2 m ³ / min	
Dauerbetriebszeit	15 min (Akku: 14,4 V, 3,0 Ah)	19 min (Akku: 18 V, 3,0 Ah)
Verwendbare Batterie (Sonderzubehör)	BSL1430: Li-ion 14,4 V (3,0 Ah 8 zellen)	BSL1830: Li-ion 18 V (3,0 Ah 10 zellen)
Verwendbare Ladegerät (Sonderzubehör)	UC18YRSL	
Gewicht (Mit Batterie)	1,5 kg	1,6 kg

STANDARDZUBEHÖR

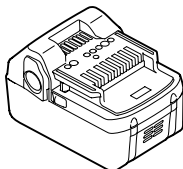
- Düse 1
Das Standardzubehör kann ohne vorherige Bekanntmachung jederzeit geändert werden.

SONDERZUBEHÖR (separat zu beziehen)

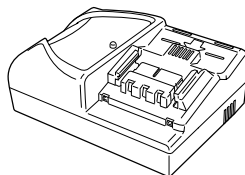
1. Batterie
(1) BSL1430: RB14DSL



- (2) BSL1830: RB18DSL



2. Ladegerät (UC18YRSL)
Ladespannung: 14,4 V 18 V



3. Staubsack



Das Sonderzubehör kann ohne vorherige Bekanntmachung jederzeit geändert werden.

ANWENDUNGSGEBIETE

- Reinigung von Vorrichtungen und Geräten in Sägewerken, Zigarettenfabriken, Spinnereien usw.
 Reinigung von Teilen und Geräten in Reparaturwerkstätten.
 Blasarbeiten.

HERAUSNEHMEN/EINSETZEN DER BATTERIE

1. **Herausnehmen der Batterie**
Den Handgriff festhalten und die Batterieverriegelungen (2 Stück) drücken, um die Batterie herauszunehmen (siehe **Abb. 1** und **2**).

ACHTUNG

Die Kontakte der Batterie niemals kurzschließen.

2. **Einsetzen der Batterie**
Den Batterie unter Beachtung der richtigen Richtung in das Gerät einsetzen (Siehe **Abb. 2**).

LADEN

Beachten Sie bitte bei Verwendung von Akkus die Bedienungsanleitung des entsprechenden Ladegeräts. (**Abb. 3, 4**)

VOR INBETRIEBNAHME

1. **Aufstellung und Überprüfung der Arbeitsumgebung**
Prüfen Sie, ob die Arbeitsumgebung folgenden Vorsichtsbedingungen entspricht.

ANBRINGEN UND ENTFERNEN DER DÜSE UND DES STAUBSACKS

1. **Anbringen der Düse**
Führen Sie den Stift, der sich außen an der Düse befindet, in die an der Düsenöffnung angebrachte Nut ein und drehen Sie die Düse bis zu Anschlag in die Richtung, die durch den Pfeil in **Abb. 5** angezeigt wird. Für das Entfernen der Düse wird in umgekehrter Reihenfolge vorgegangen.
2. **Wenn das Akku-Gebläse für die Staubabsaugung eingesetzt wird**
(1) Anbringen des Staubsacks
Der Staubsack wird auf die gleiche Weise wie für die Düse beschrieben (**Abb. 6**) an der Gebläseöffnung angebracht.

(2) Anbringen der Düse

Führen Sie den Stift, der sich außen an der Düse befindet, in die an der Ansaugöffnung angebrachte Nut ein und drehen Sie die Düse bis zum Anschlag in die Richtung, die durch den Pfeil in **Abb. 7** angezeigt wird.

BENUTZUNG DES AKKU-GEBLÄSES

1. **Betätigung des Schalters**
Wenn der Schaltertrigger gedrückt ist, dreht sich das Werkzeug. Wenn ausgelöst, wird das Werkzeug abgestellt.
2. Eine zu große Staubmenge im Staubsack vermindert die Staubabsaugleistung des Akku-Gebläses. Daher ist der Staubsack regelmäßig zu entleeren, damit optimale Leistung bei der Staubabsaugung erreicht wird.

WARTUNG UND INSPEKTION

1. **Inspektion der Befestigungsschrauben**
Alle Befestigungsschrauben werden regelmäßig inspiziert und geprüft, ob sie gut angezogen sind. Wenn sich eine der Schrauben lockert, muß sie sofort wieder angezogen werden. Geschieht das nicht, kann das zu erheblichen Gefahren führen.
2. **Wartung des Motors**
Die Motorwicklung ist das "Herz" des Elektrowerkzeugs. Daher ist besonders sorgfältig darauf zu achten, daß die Wicklung nicht beschädigt wird und/oder mit Öl oder Wasser in Berührung kommt.
3. **Außenreinigung**
Wenn das Akku-Gebläse schmutzig ist, es mit einem weichen und trockenen Tuch abwischen oder mit einem in Seifenwasser benetzten Tuch. Kein Chlorsolvent, Benzin oder Farbsolvent verwenden da sie plastik-Material schmelzen.
4. **Lagern**
Das Akku-Gebläse an einen Ort aufbewahren wo die Temperatur unter 40°C ist und außer Reichweite der Kinder.
5. **Liste der Wartungsteile**

ACHTUNG

Reparatur, Modifikation und Inspektion von HiKOKI-Elektrowerkzeugen müssen durch ein autorisiertes HiKOKI-Kundendienstzentrum durchgeführt werden. Diese Teileliste ist hilfreich, wenn sie dem autorisierten HiKOKI-Kundendienstzentrum zusammen mit dem Werkzeug für Reparatur oder Wartung ausgehändigt wird.

Bei Betrieb und Wartung von Elektrowerkzeugen müssen die Sicherheitsvorschriften und Normen beachtet werden.

MODIFIKATIONEN

HiKOKI-Elektrowerkzeuge werden fortwährend verbessert und modifiziert, um die neuesten technischen Fortschritte einzubauen. Dementsprechend ist es möglich, daß einige Teile ohne vorherige Benachrichtigung geändert werden.

Wichtiger Hinweis zu den Batterien für Akku-Geräte von HiKOKI

Verwenden Sie immer unsere angegebenen Originalbatterien. Wir können die Sicherheit und die Leistung unseres Akku-Gerätes nicht gewährleisten, wenn andere als die von uns angegebenen Batterien verwendet werden, oder wenn die Batterie zerlegt und verändert wird (etwa durch Zerlegen und Ersetzung von Zellen oder anderen innen gelegenen Teilen).

GARANTIE

Auf HiKOKI-Elektrowerkzeuge gewähren wir eine Garantie unter Zugrundelegung der jeweils geltenden gesetzlichen und landesspezifischen Bedingungen. Dieses Garantie erstreckt sich nicht auf Gehäusedefekte und nicht auf Schäden, die auf Missbrauch, bestimmungswidrigen Einsatz oder normalen Verschleiß zurückzuführen sind. Im Schadensfall senden Sie das nicht zerlegte Elektrowerkzeug zusammen mit dem GARANTIESCHEIN, den Sie am Ende der Bedienungsanleitung finden, an ein von HiKOKI autorisiertes Servicecenter.

ANMERKUNG

Aufgrund des ständigen Forschungs- und Entwicklungsprogramms von HiKOKI sind Änderungen der hierin gemachten technischen Angaben nicht ausgeschlossen.

Information über Betriebslärm und Vibration

Die gemessenen Werte wurden entsprechend EN60745 bestimmt und in Übereinstimmung mit ISO 4871 ausgewiesen.

Gemessener A-gewichteter Schallpegel: 91 dB (A)
Gemessener A-gewichteter Schalldruck: 80 dB (A)
Messunsicherheit KpA: 3 dB (A)

Gehörschutz tragen.

Gesamtvibrationswerte (3-Achsen-Vektorsumme), bestimmt gemäß EN60745.

Vibrationsemissionswert **ah** = 2,9 m/s²
Messunsicherheit K = 1,5 m/s²

WARNUNG

- Der Vibrationsemissionswert während der tatsächlichen Benutzung des Elektrowerkzeugs kann von dem deklarierten Wert abweichen, abhängig davon, wie das Werkzeug verwendet wird.
- Zur Festlegung der Sicherheitsmaßnahmen zum Schutz des Bedieners, die auf einer Expositionseinschätzung unter den tatsächlichen Benutzungsbedingungen beruhen (unter Berücksichtigung aller Bereiche des Betriebszyklus, darunter neben der Triggerzeit auch die Zeiten, in denen das Werkzeug ausgeschaltet ist oder im Leerlaufbetrieb läuft).

AVERTISSEMENTS DE SÉCURITÉ GÉNÉRAUX CONCERNANT LES OUTILS ÉLECTRIQUES

⚠ AVERTISSEMENT

Lire tous les avertissements de sécurité et toutes les instructions

Tout manquement à observer ces avertissements et instructions peut engendrer des chocs électriques, des incendies et/ou des blessures graves.

Conservez tous les avertissements et toutes les instructions pour vous y référer ultérieurement.

Le terme "outil électrique", utilisé dans les avertissements, se réfère aux outils électriques (câblé) ou aux outils à piles (sans fil).

1) Sécurité sur l'aire de travail

- Maintenir l'aire de travail propre et bien éclairée.**
Les endroits encombrés ou sombres sont propices aux accidents.
- Ne pas utiliser d'outils électriques en présence de liquides, gaz ou poussière inflammables, au risque de provoquer une explosion.**
Les outils électriques créent des étincelles susceptibles d'enflammer la poussière ou les vapeurs.
- Ne pas laisser les enfants et les visiteurs s'approcher de vous lorsque vous utilisez un outil électrique.**
Les distractions peuvent faire perdre le contrôle.

2) Sécurité électrique

- Les prises de l'outil électrique doivent correspondre à la prise secteur.**
Ne jamais modifier la prise.
Ne pas utiliser d'adaptateurs avec les outils électriques mis à la masse.
Les prises non modifiées et les prises secteurs correspondantes réduisent les risques de choc électrique.
- Éviter tout contact avec les surfaces mises à la masse telles que les tuyaux, radiateurs, bandes et réfrigérateurs.**
Le risque de choc électrique est accru en cas de mise à la masse du corps.
- Ne pas exposer les outils électriques à la pluie ou à des conditions humides.**
Si l'eau pénètre dans l'outil, cela augmente les risques de choc électrique.
- Ne pas utiliser le cordon à tort. Ne jamais utiliser le cordon pour transporter ou débrancher l'outil électrique.**
Maintenir le cordon loin de la chaleur, de l'huile, des bords pointus ou des pièces mobiles.
Les cordons endommagés ou usés augmentent les risques de choc électrique.
- En cas d'utilisation d'un outil électrique à l'extérieur, utiliser un cordon de rallonge adapté à un usage extérieur.**
L'utilisation d'un cordon adapté à l'usage extérieur réduit les risques de choc électrique.
- Si vous devez utiliser un outil électrique dans un endroit humide, utilisez une alimentation protégée contre les courants résiduels.**
L'utilisation d'un dispositif de protection contre les courants résiduels réduit le risque de choc électrique.

3) Sécurité personnelle

- Restez alerte, regarder ce que vous faites et usez de votre bon sens en utilisant un outil électrique.**
Ne pas utiliser d'outil électrique si vous êtes sous l'influence de drogues, d'alcool ou de médicaments.
Pendant l'utilisation d'outils électrique, un instant d'inattention peut entraîner des blessures graves.
- Utiliser un équipement de protection individuelle. Toujours porter des verres de protection.**
L'utilisation d'équipements de protection tels que les masques anti-poussière, les chaussures de sécurité anti-dérapantes, les casques ou les protections auditives dans des conditions appropriées réduisent les risques de blessures.
- Empêcher les démarrages intempestifs. Veiller à ce que l'interrupteur soit en position d'arrêt avant de brancher à une source d'alimentation et/ou une batterie, de ramasser l'outil au sol ou de le transporter.**
Transporter les outils électriques avec le doigt sur l'interrupteur ou brancher les outils électriques avec l'interrupteur en position de marche peut entraîner des accidents.
- Retirer toute clé de sécurité ou clé avant de mettre l'outil électrique en marche.**
Laisser une clé ou une clé de sécurité sur une partie mobile de l'outil électrique peut engendrer des blessures.
- Ne pas trop se pencher. Toujours garder une bonne assise et un bon équilibre pendant le travail.**
Cela permet un meilleur contrôle de l'outil électrique dans des situations imprévisibles.
- Porter des vêtements adéquats. Ne pas porter de vêtements amples ni de bijoux. Maintenir les cheveux, les vêtements et les gants loin des pièces mobiles.**
Les vêtements amples ou les cheveux longs peuvent se prendre dans les pièces mobiles.
- En cas de dispositifs destinés au raccordement d'installations d'extraction et de recueil de la poussière, veiller à ce qu'ils soient correctement raccordés et utilisés.**
L'utilisation d'un dispositif de collecte de la poussière peut réduire les dangers associés à la poussière.

4) Utilisation et entretien d'un outil électrique

- Ne pas forcer sur l'outil électrique. Utiliser l'outil électrique adapté à vos travaux.**
Le bon outil électrique fera le travail mieux et en toute sécurité au régime pour lequel il a été conçu.
- Ne pas utiliser l'outil électrique si l'interrupteur ne le met pas en position de marche et d'arrêt.**
Tout outil ne pouvant être contrôlé par l'interrupteur est dangereux et doit être réparé.
- Débrancher la prise et/ou la batterie avant de procéder à des réglages, au remplacement des accessoires ou au stockage des outils électriques.**
Ces mesures préventives de sécurité réduisent les risques de démarrage accidentel de l'outil électrique.
- Stockez les outils électriques inutilisés hors de la portée des enfants et ne pas laisser des personnes non familiarisées avec l'outil ou ces instructions utiliser l'outil électrique.**
Les outils électriques sont dangereux entre les mains d'utilisateurs non habilités.

- e) **Entretien des outils électriques. Vérifier l'absence de mauvais alignement ou d'arrêt, d'endommagement de pièces ou toute autre condition susceptible d'affecter l'opération de l'outil. Si l'outil est endommagé, le faire réparer avant utilisation.**

De nombreux accidents sont dus à des outils mal entretenus.

- f) **Maintenir les outils coupants aiguisés et propres. Des outils coupants bien entretenus avec des bords aiguisés sont moins susceptibles de se coincer et plus simples à contrôler.**

- g) **Utiliser l'outil électrique, les accessoires et les mèches de l'outil, etc. conformément à ces instructions en tenant compte des conditions d'utilisation et du travail à réaliser.**

L'utilisation de l'outil électrique pour des opérations différentes de celles pour lesquelles il a été conçu est dangereuse.

5) Utilisation et entretien de l'outil à batterie

- a) **Recharger uniquement avec le chargeur spécifié par le fabricant.**

Un chargeur adapté pour un type de batterie peut constituer un risque d'incendie en cas d'utilisation avec une autre batterie.

- b) **Utiliser les outils électriques exclusivement avec les batteries désignées.**

L'utilisation d'autres batteries peut entraîner un risque de blessures et d'incendie.

- c) **Lorsque la batterie n'est pas utilisée la garder à l'écart d'objets métalliques tels que trombones, pièces, clés, clous, vis ou autres petits objets métalliques pouvant interférer avec les bornes de la batterie.**

L'interférence avec les bornes de la batterie peut entraîner des brûlures ou un incendie.

- d) **Dans des conditions extrêmes, du liquide peut couler de la batterie ; éviter tout contact. En cas de contact accidentel, rincer à l'eau. En cas de contact avec les yeux, consulter un médecin.**

Le liquide de la batterie peut entraîner des irritations ou des brûlures.

6) Service

- a) **Faire entretenir l'outil électrique par un technicien habilité à l'aide de pièces de rechange identiques exclusivement.**

Cela garantira le maintien de la sécurité de l'outil électrique.

PRECAUTIONS

Maintenir les enfants et les personnes infirmes éloignés. Lorsque les outils ne sont pas utilisés, ils doivent être rangés hors de portée des enfants et des personnes infirmes.

PRÉCAUTIONS RELATIVES A LA BATTERIE AU LITHIUM ION

Pour prolonger sa durée de vie, la batterie lithium-ion est équipée d'une fonction de protection qui coupe automatiquement l'alimentation.

Dans les cas 1 et 2 décrits ci-dessous, il est possible que le moteur s'arrête lorsque vous utilisez ce produit, même si vous actionnez le commutateur. Il ne s'agit pas d'un dysfonctionnement, mais du fonctionnement normal de la protection.

1. Lorsque la charge restante de la batterie diminue, le moteur s'arrête.
Dans ce cas de figure, chargez immédiatement la batterie.

2. En cas de surcharge de l'outil, actionnez le commutateur de l'outil et éliminez les causes de la surcharge. Vous pouvez ensuite recommencer à utiliser l'outil.

En outre, respectez la précaution et l'avertissement suivants.

AVERTISSEMENT

Afin d'éviter toute fuite de la batterie, génération de chaleur, émission de fumée, explosion et inflammation, respectez scrupuleusement les précautions suivantes :

- Assurez-vous que les copeaux et la poussière ne s'accumulent pas sur la batterie.
 - Lorsque vous travaillez, assurez-vous que les copeaux et la poussière ne tombent pas sur la batterie.
 - Assurez-vous que les copeaux et la poussière qui tombent sur l'outil lorsque vous travaillez ne s'accumulent pas sur la batterie.
 - Ne conservez pas une batterie inutilisée dans un endroit qui est exposé aux copeaux et à la poussière.
 - Avant de stocker une batterie, retirez tous les copeaux et la poussière qui ont pu y adhérer et ne la conservez pas avec des pièces métalliques (vis, clous, etc.).
- Ne percez pas la batterie à l'aide d'un objet pointu tel qu'un clou. Ne la frappez pas à l'aide d'un marteau. Ne marchez pas dessus, ne la lancez pas et ne la soumettez pas à un choc physique important.
- N'utilisez pas une batterie dont l'extérieur est déformé ou laissez penser qu'elle est défectueuse.
- N'insérez pas la batterie à l'envers (pôles inversés).
- Ne raccordez pas directement la batterie à une prise électrique ou à un allume-cigare.
- N'utilisez pas la batterie à d'autres fins que celle spécifiée.
- En cas d'échec du chargement d'une batterie, même après un certain délai, arrêtez immédiatement le rechargement.
- N'exposez pas la batterie à des températures ou à une pression élevées (four à micro-ondes, séchoir, conteneur sous haute pression).
- Maintenez à la batterie à l'écart de toute flamme en cas de détection d'une fuite ou d'une mauvaise odeur.
- Ne pas utiliser à proximité d'une source puissante d'électricité statique.
- En cas de fuite de la batterie, de mauvaise odeur, de génération de chaleur, de décoloration, de déformation ou d'anomalie en cours d'utilisation, de rechargement ou d'entreposage, ôtez immédiatement la batterie de l'équipement ou du chargeur de batterie et ne l'utilisez plus.

PRECAUTION

- En cas de projection dans les yeux de liquide ayant fuit de la batterie, ne vous frottez pas les yeux, rincez-les à l'eau claire et contactez immédiatement un médecin.
En l'absence de traitement, le liquide peut détériorer l'œil.
- En cas de projection de liquide ayant fuit de la batterie sur votre peau ou vos vêtements, rincez immédiatement ces derniers à l'eau claire (au robinet).
Le liquide peut provoquer une irritation de la peau.
- En cas de détection de rouille, de mauvaise odeur, de surchauffe, de décoloration, de déformation et/ou autres anomalies lors de la première utilisation de la batterie, n'utilisez pas cette dernière et renvoyez-la au fournisseur ou au fabricant.

AVERTISSEMENT

Un court-circuit risque de se produire et causer un incendie, si un corps étranger conducteur d'électricité passe dans les bornes de la pile au lithium-ion. Veuillez respecter les consignes suivantes pour le rangement de la pile.

- **Ne pas mettre d'objet conducteur d'électricité, tels que couteur, fil d'acier, de cuivre ou autre fil dans la mallette de rangement.**
- **Soit ranger le bloc de pile avec l'outil électrique ou de manière sécuritaire en l'enfonçant dans le couvercle jusqu'à ce que les orifices de ventilation soient dissimulés afin d'éviter les courts-circuits.** (Voir la Fig. 1)

PRECAUTIONS POUR SOUFFLETTE À BATTERIE

1. Chargez toujours la batterie à une température de 0 – 40°C. Une température inférieure à 0°C entraînera une surcharge dangereuse. La batterie ne peut pas être chargée à une température supérieure à 40°C. La température la plus appropriée serait de 20 – 25°C.
2. Quand une charge a été effectuée, laissez le chargeur au repos pendant environ 15 minutes avant de commencer la prochaine charge de batterie. Ne pas recharger plus de deux batteries de suite.
3. Ne laissez pas de corps étrangers pénétrer par le trou de raccord de la batterie rechargeable.
4. Ne désassemblez jamais la batterie rechargeable et le chargeur.
5. Ne court-circuitez jamais la batterie rechargeable. Le fait de court-circuiter la batterie générera un courant électrique élevé et une surchauffe, ce qui entraînera la brûlure ou l'endommagement de la batterie.
6. Ne jetez pas la batterie au feu. Elle pourrait exploser.
7. Apportez la batterie au magasin où vous l'avez achetée dès que la durée de vie de post-charge de la batterie devient trop courte pour une utilisation pratique. Ne jetez pas de batterie usagée.
8. L'utilisaiton d'une batterie usagée endommagera le chargeur.
9. Ne pas introduire d'objets métalliques ou des produits inflammables dans les fentes d'aération du chargeur, cela provoquera un choc électrique ou endommagera le chargeur.
10. Ne mettez pas vos mains ou votre visage près de l'ouverture de la soufflette à batterie pendant l'utilisation. Cela peut provoquer des blessures.

11. Retirez cette unité suffisamment loin des conducteurs électriques pour nettoyer les sections électrisées telles que le panneau électrique.
12. Ne bloquez pas l'ouverture ou l'admission de la soufflette à batterie.
L'obstruction de l'ouverture de la soufflette à batterie provoquera une augmentation anormale de la vitesse de rotation du moteur, ce qui peut endommager les palettes de la section interne ou entraîner des blessures. Le moteur peut également entrer en surchauffe et déclencher un incendie.
13. N'utilisez pas le souffleur en présence de matériaux inflammables tels que la laque, la peinture, le benzène, le diluant ou la gazoline. De la même manière, ne laissez pas de mégots allumés de cigarette être aspirés dans le souffleur.
Cela peut provoquer une explosion ou un incendie.
14. N'utilisez pas le souffleur dans des environnements soumis à des doses élevées de produits chimiques, etc. Les sections en plastique telles que les palettes de la section interne de l'unité peuvent s'affaiblir et se briser, et des blessures peuvent être entraînées.
15. Si vous constatez que l'unité ne fonctionne pas correctement ou qu'elle émet des bruits anormaux, arrêtez immédiatement le souffleur et éteignez l'interrupteur. Faites-le inspecter et réparer chez votre distributeur ou dans un service après-vente HiKOKI agréé. Ne continuez pas d'utiliser l'unité au risque de provoquer des blessures.
16. Si l'unité tombe ou se cogne malencontreusement contre un autre objet, inspectez-la minutieusement pour vérifier l'absence de craquelures, de cassures ou de déformations, etc.
Toute craquelure, cassure ou déformation peut entraîner des blessures.
17. N'utilisez pas l'unité à proximité d'objets générant de la chaleur comme les fours.
Cela peut provoquer un incendie.
18. Inspectez minutieusement la soufflette à batterie si vous l'utilisez pour souffler ou nettoyer de la poudre ou des particules de poussière visqueuses.
La poudre ou les particules visqueuses peuvent être aspirées et adhérer à l'intérieur de l'unité, ce qui peut provoquer la rupture des palettes ou des blessures.
19. Ne posez pas l'unité sur un établi ou au sol pendant qu'elle tourne.
Cela peut entraîner des blessures.

CARACTERISTIQUES

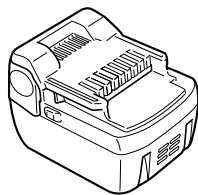
Modèle	RB14DSL (Sans batterie et chargeur)	RB18DSL (Sans batterie et chargeur)
Vitesse sans charge	0 – 15000 min ⁻¹	
Pression d'air	0 – 3,9 kPa	
Pression de volume	0 – 2,2 m ³ / min	
Durée d'utilisation continue	15 min (Batterie: 14,4 V, 3,0 Ah)	19 min (Batterie: 18 V, 3,0 Ah)
Batterie utilisable (Accessoires sur option)	BSL1430: Li-ion 14,4 V (3,0 Ah 8 piles)	BSL1830: Li-ion 18 V (3,0 Ah 10 piles)
Chargeur utilisable (Accessoires sur option)	UC18YRSL	
Poids (Avec batterie)	1,5 kg	1,6 kg

ACCESSOIRES STANDARD

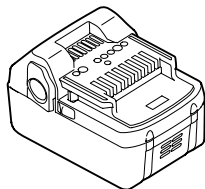
- Buse 1
L'accessoire standard est sujet à changement sans préavis.

ACCESSOIRES SUR OPTION (vendus séparément)

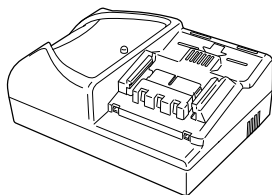
1. Batterie
(1) BSL1430: RB14DSL



- (2) BSL1830: RB18DSL



2. Chargeur (UC18YRSL)
Tension de charge: 14,4 V 18 V



3. Sac à poussière



Les accessoires à option sont sujets à changement sans préavis.

APPLICATIONS

- Nettoyage d'installations et d'équipements dans des scieries, des manufactures de cigarettes, des filatures etc.
- Nettoyage de dispositifs et d'équipements dans des ateliers de réparation.
- Opération de soufflage.

EXTRACTION ET INSTALLATION DE LA BATTERIE

1. **Retrait de la batterie**
Maintenir fermement la poignée et pousser le taquet de la batterie (2) pour l'enlever (Voir Fig. 1 et 2).

ATTENTION

Ne jamais court-circuiter la batterie.

2. **Mise en place de la batterie**
Insérer la batterie tout en respectant la polarité (Voir Fig. 2).

CHARGE

Concernant le chargement des batteries, veuillez vous reporter aux instructions de manipulation de votre chargeur. (Fig. 3, 4)

AVANT LA MISE EN MARCHÉ

1. **Installation et vérification de l'environnement de travail**
Vérifier si l'environnement de travail est adéquat en suivant les précautions.

MONTAGE ET DEMONTAGE DE LA BUSE ET DU SAC À POUSSIÈRE

1. **Montage de la buse**
Insérez la broche située à l'extérieur du bec dans la fente prévue à cet effet sur le port d'air, et tournez le bec dans la direction de la flèche indiquée sur la Fig. 5. Pour démonter la buse, suivre ces instructions en sens inverse.
2. **Utilisation de la soufflette à batterie pour enlever la poussière**
 - (1) **Montage du sac à poussière**
Monter le sac à poussière sur l'orifice de soufflage; suivre les instructions données pour le montage de la buse (Fig. 6).
 - (2) **Montage de la buse**
Insérez la broche située à l'extérieur du bec dans la fente prévue à cet effet sur le port d'aspiration, et tournez le bec dans la direction de la flèche indiquée sur la Fig. 7.

COMMENT UTILISER LA SOUFFLETTE A BATTERIE

1. **Fonctionnement de l'interrupteur**
Quand le trigger de l'interrupteur est tiré, l'outil tourne. Quand le trigger est relâché, l'outil s'arrête.
2. Une trop grande quantité de poussière dans le sac à poussière diminue la capacité d'extraction de la soufflette à batterie. Vider souvent le sac pour obtenir une efficacité maximale.

ENTRETIEN EN CONTROLE

1. Contrôle des vis de montage

Vérifier régulièrement les vis de montage et s'assurer qu'elles sont correctement serrées. Resserrer immédiatement toute vis desserrée. Sinon, il y a danger sérieuse.

2. Entretien du moteur

Le bobinage de l'ensemble moteur est le "cœur" même de l'outil électro-portatif. Veiller soigneusement à ce que ce bobinage ne soit pas endommagé et/ou mouillé par de l'huile ou de l'eau.

3. Nettoyage de l'extérieur

Quand la soufflette à batterie est sale, essuyez-la avec un chiffon sec et doux ou un chiffon imbibé d'eau savonneuse.

N'utilisez pas de solvant au chlore, d'essence ou de diluant, car ils font fondre les matières plastiques.

4. Rangement

Rangez la soufflette à batterie dans un endroit où la température est inférieure à 40°C et hors de portée des enfants.

5. Liste des pièces de rechange

ATTENTION

Les réparations, modifications et inspections des outils électriques HiKOKI doivent être confiées à un service après-vente HiKOKI agréé.

Il sera utile de présenter cette liste de pièces au service après-vente HiKOKI agréé lorsqu'on apporte un outil nécessitant des réparations ou tout autre entretien.

Lors de l'utilisation et de l'entretien d'un outil électrique, respecter les règlements et les normes de sécurité en vigueur dans le pays en question.

MODIFICATIONS

Les outils électriques HiKOKI sont constamment améliorés et modifiés afin d'incorporer les tous derniers progrès technologiques.

En conséquence, il est possible que certaines pièces soient modifiées sans avis préalable.

Avis important sur les batteries pour outils électriques sans fil HiKOKI

Toujours utiliser une de nos batteries originales spécifiées. Nous ne saurions garantir la sécurité et la performance de notre outil électrique sans fil s'il est utilisé avec une batterie autre que celle que nous avons spécifié, ou encore si la batterie est démontée et modifiée (par exemple, le démontage et remplacement des cellules ou autres composants internes).

GARANTIE

Nous garantissons que l'ensemble des Outils électriques HiKOKI sont conformes aux réglementations spécifiques statutaires/nationales. Cette garantie ne couvre pas les défauts ni les dommages inhérents à une mauvaise utilisation, une utilisation abusive ou l'usure et les dommages normaux. En cas de réclamation, veuillez envoyer l'Outil électrique, en l'état, accompagné du CERTIFICAT DE GARANTIE qui se trouve à la fin du Mode d'emploi, dans un service d'entretien autorisé.

NOTE

Par suite du programme permanent de recherche et de développement HiKOKI, ces spécifications peuvent faire l'objet de modifications sans avis préalable.

Au sujet du bruit et des vibrations

Les valeurs mesurées ont été déterminées en fonction de la norme EN60745 et déclarées conforme à ISO 4871.

Niveau de puissance sonore pondérée A: 91 dB (A)

Niveau de pression acoustique pondérée A: 80 dB (A)

Incertitude KpA: 3 dB (A)

Porter des protections anti-bruit.

Valeurs totales des vibration (somme vectorielle triaxiale) déterminée conformément à EN60745.

Valeur d'émission de vibration **ah** = 2,9 m/s²

Incertitude K = 1,5 m/s²

AVERTISSEMENT

- La valeur d'émission de vibration en fonctionnement de l'outil électrique peut être différente de la valeur déclarée, en fonction des utilisations de l'outil.
- Pour identifier les mesures de protection de l'utilisateur fondées sur une estimation de l'exposition en conditions d'utilisation (tenant compte de tous les aspects du cycle d'utilisation, tels que les moments où l'outil est mis hors tension ou lorsqu'il tourne à vide en plus des temps de déclenchements).

**AVVERTIMENTI GENERALI DI SICUREZZA
SUGLI UTENSILI ELETTRICI**

⚠ AVVERTENZA

Leggere tutti gli avvertimenti di sicurezza e tutte le istruzioni.

La mancata osservanza degli avvertimenti e delle istruzioni potrebbe essere causa di scosse elettriche, incendi e/o gravi lesioni.

Salvare tutti gli avvertimenti e le istruzioni per riferimenti futuri.

Il termine "elettroutensili" riportato nelle avvertenze si riferisce agli elettroutensili azionati con alimentazione di rete (via cavi) o a batterie (senza cavi).

1) Sicurezza dell'area operativa

- a) **Mantenere l'area operativa pulita e ordinata.**
Aree operative sporche o disordinate possono favorire gli infortuni.
- b) **Non utilizzare gli elettroutensili in atmosfere esplosive, ad es. in presenza di liquidi, gas o polveri infiammabili.**
Gli elettroutensili generano delle scintille che potrebbero accendere la polvere o i fumi.
- c) **Tenere lontani bambini e astanti durante l'utilizzo degli elettroutensili.**
Qualsiasi distrazione può essere causa di perdita di controllo.

2) Sicurezza elettrica

- a) **Le spine degli elettroutensili devono essere idonee alle prese disponibili.**
Non modificare mai le prese.
Con gli elettroutensili a massa (messi a terra), non utilizzare alcun adattatore.
L'utilizzo di spine intatte e corrispondenti alle prese disponibili ridurrà il rischio di scosse elettriche.
- b) **Evitare qualsiasi contatto con le superfici a massa o a terra, quali tubi, radiatori, fornelli e frigoriferi.**
In caso di messa a terra o massa del corpo, sussiste un maggior rischio di scosse elettriche.
- c) **Non esporre gli elettroutensili alla pioggia o all'umidità.**
La penetrazione di acqua negli elettroutensili aumenterà il rischio di scosse elettriche.
- d) **Non tirare il cavo. Non utilizzarlo per il trasporto, o per tirare o scollegare l'elettroutensile.**
Tenere il cavo lontano da fonti di calore, oli, bordi appuntiti o parti in movimento.
Cavi danneggiati o attorcigliati possono aumentare il rischio di scosse elettriche.
- e) **Durante l'uso degli elettroutensili all'esterno, utilizzare una prolunga idonea per usi esterni.**
L'utilizzo di cavi per esterno riduce il rischio di scosse elettriche.
- f) **Se è impossibile evitare l'impiego di un utensile elettrico in un luogo umido, utilizzare l'alimentazione protetta da un dispositivo a corrente residua (RCD).**
L'uso di un RCD riduce il rischio di scosse elettriche.

3) Sicurezza personale

- a) **Durante l'uso degli elettroutensili, state all'erta, verificate ciò che state eseguendo e adottate sempre il buon senso.**

Non utilizzate gli elettroutensili qualora siate stanchi, sotto l'influenza di farmaci, alcol o cure mediche.

Anche un attimo di disattenzione durante l'uso degli elettroutensili potrebbe essere causa di gravi lesioni personali.

- b) **Indossate l'attrezzatura di protezione personale. Indossate sempre le protezioni oculari.**

L'attrezzatura protettiva, quali maschera facciale, calzature antiscivolo, caschi o protezioni oculari ridurrà il rischio di lesioni personali.

- c) **Impedite le accensioni involontarie. Prima del collegamento a una sorgente di alimentazione e/o pacco batteria e prima di raccogliere o trasportare l'utensile, verificate che l'interruttore sia posizionato su OFF.**

Il trasporto degli elettroutensili tenendo le dita sull'interruttore o l'attivazione elettrica degli utensile che hanno l'interruttore su ON, implica il rischio di incidenti.

- d) **Prima di attivare l'elettroutensile, rimuovete qualsiasi chiave di regolazione.**

Lasciando la chiave in un componente in rotazione dell'elettroutensile, sussiste il rischio di lesioni personali.

- e) **Mantenersi in equilibrio. Mantenersi sempre su due piedi, in equilibrio stabile.**

Ciò consente di controllare al meglio l'elettroutensile in caso di situazioni impreviste.

- f) **Vestirsi in modo adeguato. Non indossare abiti larghi o gioielli. Tenere i capelli, gli abiti e i guanti lontano dalle parti in movimento.**

Abiti allentati, gioielli e capelli lunghi potrebbero impigliarsi nelle parti in movimento.

- g) **In caso di dispositivi provvisti di collegamento ad apparecchiature di rimozione e raccolta polveri, verificare che queste siano collegate e utilizzate in modo adeguato.**

L'utilizzo della raccolta della polvere può ridurre i rischi connessi alle polveri.

4) Utilizzo e manutenzione degli elettroutensili

- a) **Non utilizzare elettroutensili non idonei. Utilizzare l'elettroutensile idoneo alla propria applicazione.**
Utilizzando l'elettroutensile corretto, si garantirà un'esecuzione migliore e più sicura del lavoro, alla velocità di progetto.

- b) **Non utilizzare l'elettroutensile qualora non sia possibile accenderlo/spegnerlo tramite l'interruttore.**

È pericoloso utilizzare elettroutensili che non possano essere azionati dall'interruttore. Provvedere alla relativa riparazione.

- c) **Prima di effettuare qualsiasi regolazione, sostituire gli accessori o depositare gli elettroutensili, scollegare la spina dalla presa elettrica e/o il pacco batteria dall'utensile elettrico.**

Queste misure di sicurezza preventive riducono il rischio di avvio involontario dell'elettroutensile.

- d) **Depositare gli elettroutensili non utilizzati lontano dalla portata dei bambini ed evitare che persone non esperte di elettroutensili o non a conoscenza di quanto riportato sulle presenti istruzioni azionino l'elettroutensile.**

È pericoloso consentire che utenti non esperti utilizzino gli elettroutensili.

e) **Manutenzione degli elettrodomestici. Verificare che non vi siano componenti in movimento disallineati o bloccati, componenti rotti o altre condizioni che potrebbero influenzare negativamente il funzionamento dell'elettrodomestico.**

In caso di guasti, provvedere alla riparazione dell'elettrodomestico prima di riutilizzarlo.

Molti incidenti sono causati da una scarsa manutenzione.

f) **Mantenere gli strumenti di taglio affilati e puliti.**

Gli strumenti di taglio in condizioni di manutenzione adeguata, con bordi affilati, sono meno soggetti al bloccaggio e sono più facilmente controllabili.

g) **Utilizzare l'elettrodomestico, gli accessori, le barrette, ecc. in conformità a quanto riportato nelle presenti istruzioni, tenendo in debita considerazione le condizioni operative e il tipo di lavoro da eseguire. L'uso dell'utensile elettrico per operazioni diverse da quelle previste potrebbe causare una situazione pericolosa.**

5) Utilizzo e cura dell'utensile batteria

a) **Ricaricare solo con il caricatore specificato dal produttore.**

Un caricatore adatto per un tipo di gruppo batteria può creare un rischio di incendio quando viene utilizzato con un altro gruppo batteria.

b) **Usare utensili elettrici con gruppi batteria specificatamente designati.**

L'utilizzo di qualsiasi altro gruppo batteria può creare un rischio di lesioni e incendi.

c) **Quando il gruppo batteria non viene utilizzato, tenerlo lontano da altri oggetti metallici come graffette, monete, chiavi, chiodi, viti, o altri piccoli oggetti metallici che possono creare una connessione da un terminale a un altro.**

Cortocircuitare i terminali della batteria insieme può causare ustioni o incendi.

d) **In condizioni abusive, del liquido può fuoriuscire dalla batteria; evitare il contatto. Se il contatto si verifica accidentalmente, sciacquare con acqua. Se il liquido entra a contatto con gli occhi, richiedere assistenza medica.**

Il liquido che fuoriesce dalla batteria può causare irritazioni o ustioni.

6) Assistenza

a) **Affidate le riparazioni dell'elettrodomestico a persone qualificate che utilizzino solamente parti di ricambio identiche.**

Ciò garantirà il mantenimento della sicurezza dell'elettrodomestico.

PRECAUZIONI

Tenere lontano dalla portata di bambini e invalidi.

Quando non utilizzati, gli strumenti dovranno essere deposti lontano dalla portata di bambini e invalidi.

PRECAUZIONI SULLA BATTERIA AGLI IONI DI LITIO

Per estendere la durata, la batteria agli ioni di litio è munita di una funzione di protezione per arrestarne l'uscita. Nei casi 1 e 2 descritti di seguito, durante l'utilizzo del prodotto, anche se state premendo l'interruttore, il motore potrebbe arrestarsi. Ciò non indica un malfunzionamento ma è il risultato della funzione di protezione.

1. Quando la rimanente alimentazione della batteria si esaurisce, il motore si arresta.

In tal caso, ricaricarla immediatamente.

2. Se l'utensile è sovraccarico, il motore potrebbe arrestarsi. In tal caso, rilasciare l'interruttore dell'utensile ed eliminare le cause del sovraccarico. Dopo ciò, sarà possibile riutilizzarlo.

Inoltre, si prega di prestare attenzione al seguente avvertimento e cautela.

AVVERTENZA

Per prevenire qualsiasi perdita delle batterie, generazione di calore, emissione di fumi, esplosione e accensione, assicurarsi di prestare attenzione alle seguenti precauzioni.

1. Assicurarsi che la polvere e i detriti non si accumulino sulla batteria.

○ Durante la lavorazione, assicurarsi che la polvere e i detriti non si depositino sulla batteria.

○ Assicurarsi che qualsiasi polvere e detriti che si depositano sull'utensile elettrico durante la lavorazione non si accumulino sulla batteria.

○ Non conservare una batteria inutilizzata in un luogo esposto a polvere e detriti.

○ Prima di ritirare una batteria, rimuovere la polvere e i detriti che si sono depositati su di essa e non conservarla insieme a parti metalliche (viti, chiodi, ecc.).

2. Non forare la batteria con un oggetto appuntito come un chiodo, non colpire con un martello, calpestare, lanciare o sottoporre le batterie a violenti urti fisici.

3. Non usare batterie apparentemente danneggiate o deformate.

4. Non usare batterie con la polarità invertita.

5. Non collegare direttamente a prese elettriche o prese per caricabatteria da auto.

6. Non usare la batteria per uno scopo diverso da quelli specificati.

7. Se la ricarica della batteria non si completa anche quando è passato un tempo di ricarica specificato, interrompere immediatamente la ricarica.

8. Non mettere o sottoporre la batteria a temperature elevate o ad alta pressione come in un forno microonde, essiccatore o contenitore ad alta pressione.

9. Tenere immediatamente lontano dal fuoco quando si rilevano perdite o maleodore.

10. Non usare in un luogo dove viene generata forte elettricità statica.

11. Se si verifica la perdita delle batterie, maleodore, generazione di calore, scolorimento o deformazione, o se appaiono anomalie di qualsiasi natura durante l'uso, la ricarica o la conservazione, rimuoverla immediatamente dall'apparecchio o carica batteria, e interrompere l'uso.

ATTENZIONE

1. Se il liquido che fuoriesce dalla batteria entra negli occhi, non sfregare gli occhi e lavarli bene con acqua fresca e pulita come acqua di rubinetto e contattare immediatamente un medico.

Se non viene trattato, il liquido può causare problemi agli occhi.

2. Se il liquido fuoriesce sulla pelle o gli abiti, lavare bene con acqua pulita come l'acqua del rubinetto immediatamente.

C'è una possibilità che possa causare irritazione alla pelle.

3. Se trovate ruggine, maleodore, surriscaldamento, scolorimento, deformazione, e/o altre irregolarità quando si utilizza la batteria per prima volta, non usarla e restituirla al fornitore o venditore.

AVVERTENZA

Se un oggetto estraneo conduttivo di elettricità entra nei terminali della batteria agli ioni di litio, potrebbe verificarsi un corto circuito causando il rischio di un incendio. Osservate le seguenti precauzioni quando ritirate la batteria.

- **Non posizionate trucioli, chiodi, cavi in acciaio, rame o altri cavi conduttivi di elettricità nella custodia.**
- **Installate la batteria nell'utensile elettrico o conservatela premendola contro il coperchio per la batteria finché i fori di ventilazione vengono coperti per impedire corto-circuiti. (Ved. Fig. 1)**

PRECAUZIONI PER L'USO DEL SOFFIATORE-ASPIRATORE A BATTERIA

1. Caricare la batteria ad una temperatura di 0 – 40°C. Una temperatura di meno di 0°C può provocare sovraccarico, il che è pericoloso. La batteria non può essere ricaricata ad una temperatura superiore ai 40°C. La temperatura ideale è compresa 20 – 25 gradi.
2. Quando un'operazione di ricarica è terminata, prima di iniziarne una seconda, lasciare che il caricatore riposi per 15 minuti. Non caricare più di due batterie consecutivamente.
3. Non permettere che sostanze estranee entrino nel foro di collegamento della batteria ricaricabile.
4. Non smontare mai la batteria ricaricabile e il caricatore.
5. Non provocare assolutamente mai dei corto-circuiti alla batteria ricaricabile. Il fenomeno provoca surriscaldamento e grande corrente elettrica. Può quindi causare bruciature o danni alla batteria.
6. Non gettare la batteria nel fuoco. Può esplodere.
7. Non appena la vita della batteria dopo le operazioni di ricarica diventa troppo breve per fini pratici, si porti la batteria al negozio dove è stata acquistata. Non la si getti mai via.
8. Usando una batteria scarica, il caricatore può venir danneggiato.
9. Non inserire nessun oggetto nelle fessure di ventilazione del caricatore. Inserendo oggetti metallici o infiammabili nelle fessure di ventilazione, si possono causare facilmente delle scosse elettriche, o si può danneggiare il caricatore.
10. Non avvicinare il viso o le mani al soffiatore-aspiratore in funzione. Alto rischio di lesioni.

11. Rimuovere quest'elemento ad una certa distanza dai conduttori elettrici durante la pulizia di sezioni sottoposte ad alimentazione elettrica (pannello elettrico, ecc.).
12. Non bloccare le aperture o le entrate d'aria del soffiatore-aspiratore a batteria. Bloccare le aperture del soffiatore-aspiratore a batteria può provocare un aumento anomalo della velocità di rotazione del motore e può danneggiare la pale della sezione interna dell'unità e causare lesioni. Inoltre, il motore potrebbe surriscaldarsi e incendiarsi.
13. Non usare in presenza di sostanze infiammabili quali lacca, vernici, benzene, solventi o benzina. Non lasciare che elementi quali mozziconi ancora accesi di sigaretta vengano aspirati all'interno della macchina. L'aspirazione di mozziconi potrebbe causare incendi o esplosioni.
14. Non usare in ambienti con presenza di alte dosi di prodotti chimici, ecc. Le sezioni plastiche quali le pale interne della macchina possono indebolirsi e rompersi e possono verificarsi lesioni.
15. Se il compressore dovesse presentare difetti di funzionamento o produrre rumori anomali, interromperne l'uso e spegnere immediatamente l'interruttore. Richiedere un controllo e un'eventuale riparazione al rivenditore da cui la macchina è stata acquistata o direttamente ad un centro assistenza HIKOKI autorizzato. La mancata interruzione dell'uso della macchina potrebbe portare a lesioni.
16. Nel caso l'apparecchio dovesse accidentalmente cadere o urtare un altro oggetto, procedere ad un controllo dettagliato per verificare che non ci siano crepe, rotture, deformazioni, ecc. Se l'apparecchio presenta crepe, rotture o deformazioni potrebbero verificarsi lesioni.
17. Non usare vicino ad oggetti che generano forte calore, quali stufe. Se usato vicino a fonti di calore, il compressore potrebbe provocare incendi.
18. Effettuare un controllo approfondito quando il soffiatore-aspiratore a batteria viene utilizzato per soffiare o pulire polvere o particelle viscoso. Le polveri e le particelle viscoso possono essere aspirate all'interno della macchina, provocando la rottura delle pale interne e generando un rischio di lesioni.
19. Non lasciare il compressore acceso in luoghi quali banchi o pavimenti. Alto rischio di lesioni.

CHARATTERISTICHE

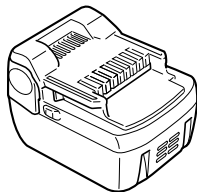
Modello	RB14DSL (Senza batteria e caricatore)	RB18DSL (Senza batteria e caricatore)
Velocità senza carico	0 – 15000 min ⁻¹	
Pressione dell'aria	0 – 3,9 kPa	
Pressione del volume	0 – 2,2 m ³ / min	
Tempo di funzionamento continuo	15 min (Batteria: 14,4 V, 3,0 Ah)	19 min (Batteria: 18 V, 3,0 Ah)
Bateria utilizzabile (Accessori facoltativi)	BSL1430: Li-ion 14,4 V (3,0 Ah 8 celle)	BSL1830: Li-ion 18 V (3,0 Ah 10 celle)
Caricatore utilizzabile (Accessori facoltativi)	UC18YRSL	
Peso (Con batteria)	1,5 kg	1,6 kg

ACCESSORI STANDARD

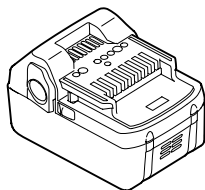
- Beccuccio 1
L'accessorio standard può essere modificato senza preavviso.

ACCESSORI FACOLTATIVI (venduti a parte)

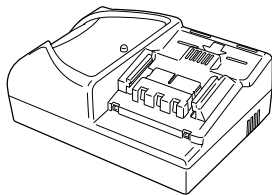
1. Batteria
(1) BSL1430: RB14DSL



- (2) BSL1830: RB18DSL



2. Caricatore (UC18YRSL)
Votaggio dicarica: 14,4 V 18 V



3. Sacco raccogli-polvere



Gli accessori disponibili a richiesta possono essere cambiati senza preavviso.

APPLICAZIONI

- Pulizia di locali e di apparecchiatura in segherie, fabbriche di sigarette, filande, ecc.
- Pulitura di macchinari e apparecchiatura in officine di riparazione.
- Operazioni di soffaggio.

RIMOZIONE E INSTALLAZIONE DELLA BATTERIA

1. Smontaggio della batteria

Tenere saldamente l'impugnatura e spingere il fermo (2 fermi) della batteria, in modo da smontarla (Ved. Fig. 1 e 2).

ATTENZIONE

Non mettere la batteria in corto circuito.

2. Montaggio della batteria

Inserire la batteria facendo attenzione alla corretta collocazione delle polarità (Ved. Fig. 2).

RICARICA

Per le batterie ricaricabili, si prega di caricarle in base alle istruzioni d'uso del caricatore che state utilizzando. (Fig. 3, 4)

PRIMA DI INIZIARE LE OPERAZIONI

1. Stabilire e controllare l'ambiente di lavoro

Controllare che l'ambiente di lavoro sia adatto seguendo le necessarie precauzioni.

MONTAGGIO E RIMOZIONE DEL BECCUCCIO E DEL SACCO RACCOGLIPOLVERE

1. Montaggio del beccuccio

Inserire la spina situata al di fuori dell'ugello nell'incavo che si trova nell'apertura di soffiatura e ruotare completamente l'ugello nel senso indicato dalla freccia nella Fig. 5.

Per rimuovere il beccuccio, seguire lo stesso procedimento, in senso inverso.

2. Quando si usa il Soffiatore-Aspiratore a batteria per raccogliere la polvere

(1) Montaggio del sacco raccogli-polvere

Montare il sacco raccogli-polvere sull'apertura di uscita del vento seguendo lo stesso procedimento sopra descritto per il montaggio del beccuccio (Fig. 6).

(2) Montaggio del beccuccio

Inserire la spina situata al di fuori dell'ugello nell'incavo dell'apertura aspirante e ruotare completamente l'ugello nel senso indicato dalla freccia della Fig. 7.

COME SI USA IL SOFFIATORE-ASPIRATORE A BATTERIA

1. Funzionament dell'interruttore
Premendo il grilletto interruttore, l'utensile si mette in movimento.
Lasciando andare il grilletto, il motore si ferma.

2. Una quantità eccessiva di polvere nel sacco riduce la capacità di raccogliere la polvere del soffiatore-aspiratore a batteria. Vuotare frequentemente il sacco per ottenere la massima efficacia nella raccolta della polvere.

MANUTENZIONE E CONTROLLI

1. Controllo delle viti di tenuta

Controllare regolarmente tutte le viti di tenuta e assicurarsi che siano esclusivamente serrate. Nel caso che una di queste viti dovesse allentarsi riserrarla immediatamente. Se si non ottiene di farlo, si può causare un grave incidente.

2. Manutenzione del motore

L'avvolgimento del motore il vero e proprio "cuore" degli attezzi elettrici. Fare attenzione a non danneggiare l'avvolgimento e/o non bagnarlo con olio o acqua.

3. Pulizia della carcassa dell'utensile

Se il soffiatore-aspiratore a batteria è sporco, pulirlo con uno straccio soffice, inumidito di acqua e sapone. Non usare solventi cloridici, benzina o diluenti per benzina, in quanto potrebbero deformare la plastica.

4. Conservazione

Conservare il soffiatore-aspiratore a batteria ad una temperatura inferiore ai 40°C e non a portata di mano di bambini.

5. Lista dei pezzi di ricambio

ATTENZIONE

Riparazioni, modifiche e ispezioni di utensili elettrici HiKOKI devono essere eseguite da un centro assistenza HiKOKI autorizzato.

Questa lista dei pezzi torna utile se viene presentata con l'utensile al centro assistenza HiKOKI autorizzato quando si richiedono riparazioni o altri interventi di manutenzione.

Nell'uso e nella manutenzione degli utensili elettrici devono essere osservate le normative di sicurezza e i criteri prescritti in ciascun paese.

MODIFICHE

Gli utensili elettrici HiKOKI vengono continuamente migliorati e modificati per includere le più recenti innovazioni tecnologiche.

Di conseguenza, alcuni pezzi possono essere modificati senza preavviso.

Avviso importante sulle batterie per gli utensili elettrici a batteria HiKOKI

Utilizzare sempre una delle nostre batterie originali. Non possiamo garantire la sicurezza e le prestazioni dell'utensile elettrico a batteria quando esso viene utilizzato con batterie diverse da quelle da noi designate, o quando la batteria viene smontata e modificata (per esempio lo smontaggio e la sostituzione di pile o altre parti interne).

GARANZIA

Garantiamo gli Utensili Elettrici HiKOKI in conformità alle specifiche normative imposte dalla legge e dai paesi. Questa garanzia non copre difetti o danni dovuti a uso erraneo, abuso o normale usura. In caso di lamentele, si prega di inviare l'Utensile Elettrico, non smontato, insieme al CERTIFICATO DI GARANZIA che si trova al termine di queste Istruzioni per l'uso, ad un Centro di Assistenza Autorizzato HiKOKI.

NOTA

A causa del continuo programma di ricerca e sviluppo della HiKOKI, le caratteristiche riportate in questo foglio sono soggette a cambiamenti senza preventiva comunicazione.

Informazioni riguardanti i rumori trasmessi dall'aria e le vibrazioni

I valori misurati sono stati determinati in conformità a EN60745 e descritti in conformità alla normativa ISO 4871.

Livello misurato di potenza sonora pesato A: 91 dB (A)

Livello misurato di pressione sonora pesato A: 80 dB (A)

KpA incertezza: 3 dB (A)

Indossare i dispositivi di protezione acustica.

Valori totali di vibrazione (somma vettori triass.) determinati secondo la norma EN60745.

Valore di emissione vibrazioni **ah** = 2,9 m/s²

Incertezza K = 1,5 m/s²

AVVERTENZA

- Il valore di emissione vibrazioni durante l'uso effettivo dell'utensile può essere diverso dal valore dichiarato in base alle modalità di utilizzo dell'utensile stesso.
- Per individuare le misure di sicurezza per la protezione dell'operatore basate su stima dell'esposizione nelle effettive condizioni di utilizzo (prendendo in considerazione tutte le parti del ciclo di funzionamento come i tempi in cui l'utensile resta spento e quando funziona senza essere utilizzato in aggiunta al tempo di avvio).

ALGEMENE VEILIGHEIDSWAARSCHUWINGEN VOOR ELEKTRISCH GEREEDSCHAP

⚠ WAARSCHUWING

Lees alle waarschuwingen en instructies aandachtig door.

Nalating om de waarschuwingen en instructies op te volgen kan in een elektrische schok, brand en/of ernstig letsel resulteren.

Bewaar alle waarschuwingen en aanwijzingen voor eventuele naslag in de toekomst.

De term "elektrisch gereedschap" heeft zowel betrekking op elektrisch gereedschap dat via de netvoeding van stroom wordt voorzien als gereedschap dat via een accu (snoerloos) van stroom wordt voorzien.

1) Veiligheid van de werkplek

a) **Zorg voor een schone en goed verlichte werkplek.**

Een rommelige of donkere werkplek verhoogt de kans op ongelukken.

b) **Gebruik het elektrisch gereedschap niet in een omgeving met ontplofbare vloeistoffen, gassen of stof.**

Elektrisch gereedschap kan vonken afgeven. Deze vonkjes kunnen stofdeeltjes of gassen doen ontbranden.

c) **Houd kinderen en andere toeschouwers tijdens het gebruik van elektrische gereedschap uit de buurt.**

Afleidingen kunnen gevaarlijk zijn.

2) Elektrische veiligheid

a) **De stekker op het elektrische gereedschap moet geschikt zijn voor aansluiting op de wandcontactdoos.**

De stekker mag op geen enkele manier gemodificeerd worden. Gebruik geen verloopstekker met geaard elektrisch gereedschap. Deugdelijke stekkers en geschikte wandcontactdozen verminderen het risico op een elektrische schok.

b) **Vermijd lichamelijk contact met geaarde oppervlakken zoals leidingen, radiatoren, fornuizen en koelkasten.**

Wanneer uw lichaam in contact staat met geaarde oppervlakken loopt u een groter risico op een elektrische schok.

c) **Stel het elektrisch gereedschap niet bloot aan regen of vochtige omstandigheden.**

Het risico op een elektrische schok wordt vergroot wanneer er water in het elektrisch gereedschap terecht komt.

d) **Behandel het snoer voorzichtig. Draag het gereedschap nooit door dit bij het snoer vast te houden. Trek niet aan het snoer wanneer u de stekker uit het stopcontact wilt halen.**

Houd het snoer uit de buurt van warmtebronnen, olie, scherpe randen of bewegende onderdelen. Een beschadigd of verward snoer verhoogt het risico op een elektrische schok.

e) **Gebruik buitenshuis een verlengsnoer dat specifiek geschikt is voor het gebruik buiten.**

Het gebruik van een snoer dat specifiek geschikt is voor gebruik buitenshuis vermindert het risico op een elektrische schok.

f) **Als het elektrisch gereedschap in een vochtige omgeving gebruikt moet worden, dient een voeding met RCD (reststroom-apparaat) beveiliging te worden gebruikt.**

Gebruik van een RCD vermindert de kans op een elektrische schok.

3) Persoonlijke veiligheid

a) **Blijf waakzaam, let voortdurend op uw werk en gebruik uw gezond verstand wanneer u elektrisch gereedschap gebruikt.**

Gebruik geen elektrisch gereedschap wanneer u moe bent of onder invloed van drugs, alcohol of medicijnen.

Eén moment van onoplettendheid kan in ernstig lichamelijk letsel resulteren.

b) **Gebruik persoonlijke beschermingsmiddelen. Draag altijd oogbescherming.**

Beschermingsmiddelen zoals stofmaskers, niet-glijdende veiligheidsschoenen, een helm of oorbescherming vermindert het risico op lichamelijk letsel.

c) **Voorkom dat het gereedschap per ongeluk kan starten. Controleer of de schakelaar in de uit stand staat voordat u de voeding en/of de accu aansluit, het gereedschap oppakt of gaat dragen.**

Zorg ervoor dat u tijdens het verplaatsen van het elektrisch gereedschap uw vingers uit de buurt van de schakelaar houdt en sluit de stroombron niet aan terwijl de schakelaar op aan staat om ongelukken te vermijden.

d) **Verwijder sleutels en moersleutels uit het gereedschap voordat u het elektrisch gereedschap aanzet.**

Een (moer-)sleutel die op een bewegend onderdeel van het elektrisch gereedschap bevestigd is kan in lichamelijk letsel resulteren.

e) **Reik niet te ver. Zorg ervoor dat u te allen tijde stevig staat en uw evenwicht behoudt.**

Op deze manier heeft u tijdens een onverwachte situatie meer controle over het elektrisch gereedschap.

f) **Draag geen loszittende kleding of sieraden. Houd uw haar, kleding en handschoenen uit de buurt van bewegende onderdelen.**

Loszittende kleding, sieraden en lang haar kunnen in de bewegende onderdelen verstrikt raken.

g) **Indien het elektrisch gereedschap van een aansluiting voor stofafzuiging is voorzien dan dient u ervoor te zorgen dat de stofafzuiging aangesloten en op de juiste manier gebruikt wordt.**

Het gebruik van stofafzuiging vermindert eventuele stofgerelateerde risico's.

4) Bediening en onderhoud van elektrisch gereedschap

a) **Het elektrisch gereedschap mag niet geforceerd worden. Gebruik het juiste gereedschap voor het karwei.**

U kunt de klus beter en veiliger uitvoeren wanneer u het juiste elektrische gereedschap gebruikt.

b) **Gebruik het elektrisch gereedschap niet als de schakelaar niet goed werkt.**

Elektrisch gereedschap dat niet via de schakelaar bediend kan worden is gevaarlijk en moet onmiddellijk gerepareerd worden.

c) **Haal de stekker uit het stopcontact voordat u de voeding en/of de accu van het elektrisch gereedschap losmaakt, afstellingen verricht, accessoires verwisselt of voordat u het elektrisch gereedschap opbergt.**

Dergelijke preventieve veiligheidsmaatregelen verminderen het risico dat het elektrisch gereedschap per ongeluk opstart.

- d) **Berg elektrisch gereedschap buiten het bereik van kinderen op en sta niet toe dat personen die niet bekend zijn met het juiste gebruik van het gereedschap of deze voorschriften dit elektrisch gereedschap gebruiken.**
Elektrisch gereedschap is gevaarlijk in onbevoegde handen.
- e) **Het elektrisch gereedschap moet regelmatig onderhouden worden. Controleer het gereedschap op een foutieve uitlijning, vastgelopen of defecte bewegende onderdelen en andere problemen die van invloed zijn op de juiste werking van het gereedschap. Indien het gereedschap defect of beschadigd is moet het gerepareerd worden voordat u het gereedschap opnieuw gebruikt.**
Slecht onderhouden elektrisch gereedschap is verantwoordelijk voor een groot aantal doe-het-zelf ongelukken.
- f) **Houd snijwerktuigen scherp en schoon.**
Goed onderhouden snijwerktuigen met scherpe snijranden lopen minder snel vast en zijn gemakkelijker in het gebruik.
- g) **Elektrisch gereedschap, toebehoren, bits enz. moeten in overeenstemming met deze instructies worden gebruikt waarbij de werkomstandigheden en het werk in overweging moeten worden genomen.**
Gebruik van het elektrisch gereedschap voor andere doeleinden dan waarvoor het is bedoelt, kan resulteren in een gevaarlijke situatie.
- 5) **Gebruik van gereedschap en onderhoud van de batterij**
- a) **Herlaad enkel met de lader die door de fabrikant wordt gespecificeerd.**
Een lader die geschikt is voor één bepaald type batterijgroep kan brandgevaar veroorzaken bij een andere batterijgroep.
- b) **Gebruik de apparaten enkel met specifiek ontworpen batterijgroepen.**
Het gebruik van andere batterijgroepen kan letsels of brand veroorzaken.
- c) **Wanneer de batterijgroep niet in gebruik is, houdt u ze verwijderd van andere metalen voorwerpen zoals papierclips, munten, sleutels, spijkers, schroeven of andere metalen voorwerpen die een verbindingen van de ene terminal met de andere kunnen maken.**
De batterijterminals kortsluiten kan brandwonden of brand veroorzaken.
- d) **Bij een verkeerd gebruik kan er vloeistof uit de batterij lekken; vermijd elk contact. Indien er toevallig contact ontstaat, goed met water spoelen. Indien de vloeistof in contact met de ogen komt, ook medische hulp inroepen.**
Vloeistof die uit de batterij lekt kan irritatie en brandwonden veroorzaken.
- 6) **Onderhoudsbeurt**
- a) **Het gereedschap mag uitsluitend door bevoegd onderhoudspersoneel worden onderhouden die authentieke onderdelen gebruikt.**
Hierdoor kunt u erop aan dat de veiligheid van het elektrisch gereedschap behouden blijft.

VOORZORGMAATREGELEN

Houd kinderen en kwetsbare personen op een afstand. Het gereedschap moet na gebruik buiten het bereik van kinderen en andere kwetsbare personen worden opgeborgen.

OPMERKINGEN BIJ GEBRUIK LITHIUM-ION BATTERIJ

De lithium-ion batterij is voorzien van een beschermingsfunctie die volledige ontlading van de batterij voorkomt waardoor de levensduur wordt verlengd. In geval 1 en 2 hieronder kan de motor tijdens het gebruik van het product tot stilstand komen, zelfs wanneer u de schakelaar ingedrukt houdt. Dit geeft geen probleem met het product aan maar wordt veroorzaakt door de beschermingsfunctie.

1. De motor komt tot stilstand wanneer de batterij leeg is.
De batterij moet in dit geval onmiddellijk opgeladen worden.
2. De motor kan tot stilstand komen wanneer het gereedschap overbelast is. Laat de schakelaar onmiddellijk los en zoek naar de oorzaak van de overbelasting. Wanneer u het probleem verholpen heeft kunt u het gereedschap opnieuw gebruiken.

Gelieve eveneens aandacht te schenken aan volgende waarschuwing en aandachtspunt.

WAARSCHUWING

Om acculekken, het opwekken van warmte, rookemissie, explosie en ontsteking bijtijds te vermijden, moet u ervoor zorgen volgende voorzorgsmaatregelen onder de aandacht te brengen.

1. Zorg ervoor dat er geen spaanders en stof op de accu ophopen.
 - Zorg er tijdens de werkzaamheden voor dat er geen spaanders en stof op de accu kunnen vallen.
 - Zorg ervoor dat de spaanders en stof die tijdens het werk op het elektrisch gereedschap vallen zich niet op de accu ophopen.
 - Bewaar een ongebruikte accu niet op een plaats waar het aan spaanders en stof wordt blootgesteld.
 - Verwijder alle spaanders en stof van een accu voordat u hem opbergt en bewaar de accu niet op dezelfde plek als metalen onderdelen (schroeven, spijkers, enz.).
2. Doorboor de accu niet met een scherp voorwerp, zoals een nagel, klop er niet op met een hamer, stap niet op de accu of gooi er niet mee of stel hem niet bloot aan ernstige fysieke schokken.
3. Gebruik geen zichtbare beschadigde of vervormde accu.
4. Gebruik de accu niet met een omgekeerde polariteit.
5. Sluit hem niet rechtstreeks aan op elektrische toestellen of fittingen van sigarettenaanstekers in wagens.
6. Gebruik de accu niet voor andere doeleinden dan deze die gespecificeerd werden.
7. Wanneer de accu niet kan worden opgeladen, zelfs nadat de specifieke oplaadtijd verstreken is, stopt u onmiddellijk met het opladen.
8. Breng de accu niet op hoge temperaturen of drukken of stel ze er niet aan bloot, zoals in een microgolfoven, droger of een hogedrukcontainer.
9. Blijf uit de buurt van vuur onmiddellijk nadat een lek of vieze geur werd vastgesteld.

10. Gebruik hem niet in een plaats waar een grote statische elektriciteit wordt opgewekt.
11. In geval van een acculek, vieze geur, warmteopwekking, verkleuring of vervorming, of iets abnormaals tijdens het gebruik, het opladen of de opslag, haalt u hem onmiddellijk uit de uitrusting of de acculader en stopt u het gebruik.

LET OP

1. Wanneer u de lekkende vloeistof uit de accu in de ogen krijgt, wrijf dan niet in de ogen, en was ze goed uit met vers proper water, zoals kraantjeswater en roep er onmiddellijk een dokter bij.
Indien u geen behandeling krijgt, kan de vloeistof oogproblemen veroorzaken.
2. Wanneer de vloeistof lekt op uw huid of kleding, was ze onmiddellijk goed af met proper water, zoals kraantjeswater.
De kans bestaat dat dit huidirritatie veroorzaakt.
3. Wanneer u roest, een vieze geur, oververhitting, verkleuring, vervorming en/of andere onregelmatigheden vaststelt wanneer u de accu voor de eerste maal gebruikt, gebruik ze dan niet verder en stuur ze terug naar de leverancier of de verkoper.

WAARSCHUWING

Als een elektrisch geleidend vreemd voorwerp in de aansluitpunten van de lithium-ion accu terecht komt, kan er kortsluiting ontstaan met het risico van brand als gevolg. Let bij het overbergen van de accu op de volgende punten.

- **Plaats geen elektrisch geleidend zaagsel, spijkers, ijzerdraad, koperdraad of andere draad in de opbergdoos.**
- **Plaats de accu in het elektrisch gereedschap of bewaar de accu door deze stevig in het batterijdeksel te drukken totdat de ventilatieopeningen afgesloten zijn om kortsluiting te voorkomen. (Zie Afb. 1)**

VOORZORGSMAATREGELEN VOOR HET SNOERLOOS BLAASAPPARAAT

1. Laad de batterij bij een temperatuur van 0 – 40°C. Een temperatuur van onder 0°C kan overlading veroorzaken, hetgeen gevaarlijk kan zijn. de accu kan niet bij een temperatuur van boven de 40°C geladen worden.
De meest geschikte temperatuur is tussen de 20 – 25°C.
2. Wacht ongeveer 15 minuten voordat met het laden van een andere batterij begonnen wordt.
Laad niet meer dan twee accu's achter elkaar op.
3. Voorkom dat stof of vuil in de aansluitopening van de accuterech komt.
4. Demonteer de oplaadbare batterij of acculader niet.
5. Voorkom kortsluiting van de oplaadbare batterij. Kortsluiting kan resulteren in oververhitting. Dit kan schade of brandgevaar opleveren.
6. Gooi de batterij niet in het vuur.
Een brandende batterij kan ontploffen.
7. Breng de batterij naar de dealer waar deze gekocht werd, nadat deze na oplading onvoldoende kracht heeft voor praktisch gebruik.
Gooi een uitgewerkte batterij niet weg.
8. Het gebruik van een uitgeputte batterij zal de acculader beschadigen.
9. Steek nooit een voorwerp in de ventilatieopeningen van de acculader.
Als een voorwerp of ontvlambaar materiaal in de ventilatieopeningen van de acculader wordt gestoken, kan dit resulteren in een elektrische schok of beschadiging aan de acculader.
10. Houd het snoerloos blaasapparaat niet dicht bij uw handen of gezicht als deze aan is.
Dit kan namelijk verwondingen veroorzaken.
11. Houd dit apparaat op veilige afstand van elektrische geleiders als u delen reinigt die elektrisch geladen kunnen zijn zoals het elektrische paneel.
12. Voorkom belemmering van de opening of –ingang van het snoerloos blaasapparaat.
Als u de opening van het snoerloos blaasapparaat blokkeert, gaat de motor abnormaal snel draaien en dit kan schadelijk zijn voor de schoepen in het apparaat of verwondingen veroorzaken. De motor kan ook oververhit raken en vlammen veroorzaken.
13. Niet gebruiken op plaatsen waar ontvlambare materialen staan als lak, verf, benzine, thinner of gas.
Laat op deze plekken ook geen brandende sigarettenpeuken naar binnen zuigen.
Dit kan namelijk leiden tot explosies of brand.
14. Niet gebruiken op plaatsen waar zich veel chemicaliën, etc. bevinden.
Kunststof delen zoals de schoepen aan de binnenzijde van het apparaat kunnen daardoor zwakker worden en afbreken en dit kan verwondingen veroorzaken.
15. Als u merkt dat het apparaat slecht functioneert of een abnormaal geluid maakt, staak het gebruik dan onmiddellijk en schakel het apparaat uit. Vraag de dealer waar u het apparaat hebt gekocht of een door HiKOKI Service-centrum om een inspectie en reparatie.
Als u het apparaat toch blijft gebruiken, kan dit verwondingen veroorzaken.
16. Als het apparaat per ongeluk valt of een ander apparaat raakt, controleer het apparaat dan zorgvuldig op barsten, breuken of vervorming, etc.
Barsten, breuken en vervormingen kunnen verwondingen veroorzaken.
17. Gebruik het apparaat niet in de buurt van voorwerpen die hitte produceren, bijv. een kachel.
Als u het apparaat in de buurt van dergelijke voorwerpen plaatst, kan dit brand veroorzaken.
18. Controleer het snoerloos blaasapparaat grondig als u het wilt gebruiken voor het blazen of reinigen van kleverig poeder of stofdelen.
Poeder of stofdelen kunnen in het apparaat worden gezogen en binnenin blijven kleven. Dit kan ertoe leiden dat de schoepen afbreken of er verwondingen worden veroorzaakt.
19. Laat het apparaat niet op een bank of de vloer liggen als het nog aan is.
Dit kan verwondingen veroorzaken.

TECHNISCHE GEGEVENS

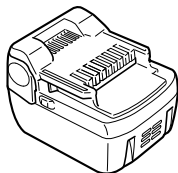
Model	RB14DSL (Zonder batterij en lader)	RB18DSL (Zonder batterij en lader)
Toerental onbelast	0 – 15000 min ⁻¹	
Luchtdruk	0 – 3,9 kPa	
Luchtmassa	0 – 2,2 m ³ / min	
Continue bedrijfsduur	15 min (Batterij: 14,4 V, 3,0 Ah)	19 min (Batterij: 18 V, 3,0 Ah)
Bruikbare batterij (Extra toebehoren)	BSL1430: Li-ion 14,4 V (3,0 Ah 8 cellen)	BSL1830: Li-ion 18 V (3,0 Ah 10 cellen)
Bruikbare acculader (Extra toebehoren)	UC18YRSL	
Gewicht (Met accu)	1,5 kg	1,6 kg

STANDAARD TOEBEHOREN

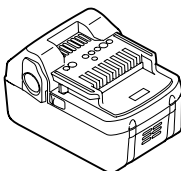
- Monolstuk 1
De standaard toebehoren kunnen zonder aankondiging ieder moment worden veranderd.

EXTRA TOEBEHOREN (los verkrijgbaar)

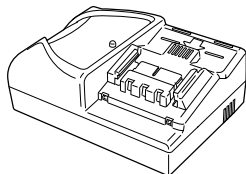
1. Batterij
(1) BSL1430: RB14DSL



- (2) BSL1830: RB18DSL



2. Acculader (UC18YRSL)
Oplaadspanning: 14,4 V 18 V



3. Stofzak



De extra toebehoren kunnen zonder nadere aankondiging gewijzigd worden.

TOEPASSINGEN

- Het reinigen van inrichtingen en apparaten in houtzagerijen, sigarettenfabrieken, weverijen, etc.
- Het reinigen van delen en apparaten in reparatiewerkplaatsen.
- Blaaswerkzaamheden.

INLEGGEN EN UITNEMEN VAN DE BATTERIJ

1. **Verwijderen van de batterij**
Houd de handgreep goed vast en druk tegen de accvergrendeling (2 stuks) om de batterij te verwijderen (Zie **Afb. 1 en 2**).

LET OP

- Sluit de batterij nooit kort.
2. **Aanbrengen van de batterij**
Plaats de batterij met de polen juist aangebracht (Zie **Afb. 2**).

OPLADEN

Laad de oplaadbare batterijen op in overeenstemming met de gebruikshandleiding die bij de lader is geleverd op. (**Afb. 3, 4**)

VOOR HET GEBRUIK

1. **Gereedmaken en controleren van de werkplaats**
Kontroleer of de werkplaats geschikt is door nauwkeurig de genormde voorzorgsmaatregelen op te volgen.

HET AANBRENGEN EN VERWIJDEREN VAN HET MONDSTUK EN DE STOFZAK

1. **Het aanbrengen van het mondstuk**
Steek de pin die zich aan de buitenkant van het mondstuk bevindt in de inkeping op de blaasuitgang en draai de opening in de in **Afb. 5** aangegeven richting. Het verwijderen van het mondstuk geschiedt in omgekeerde volgorde.
2. **Wanneer het snoerloos blaasapparaat gebruikt wordt voor het afzuigen van stof**
(1) Het aanbrengen van de stofzak
De stofzak wordt op dezelfde manier als beschreven werd voor het mondstuk (**Afb. 6**) op de ventilatoropening gemonteerd.

- (2) Het aanbrengen van het mondstuk
Steek de pin die zich aan de buitenkant van het mondstuk bevindt in de inkeping op de zuigingang en draai de opening in de in **Afb. 7** aangegeven richting.

GEBRUIK VAN HET SNOERLOOS BLAASAPARAAT

1. Bediening van de schakelaar
De boor gaat draaien wanneer aan de trekker getrokken wordt. Wanneer de trekker wordt losgelaten stopt de boor.
2. Een te grote hoeveelheid stof in de stofzak vermindert het afzuigvermogen van het snoerloos blaasapparaat. Het is daarom raadzaam de stofzak regelmatig te legen, zodat een optimaal vermogen bereikt wordt bij de stofafzuiging.

ONDERHOUD EN INSPECTIE

1. **Inspectie van de bevestigingsschroef**
Alle bevestigingsschroeven worden regelmatig geïnspecteerd en gecontroleerd of zij juist aangedraaid zijn. Wanneer één van de schroeven losraakt, dan moet deze onmiddellijk opnieuw aangedraaid worden. Gebeurt dat niet, dan kan dat tot aanzienlijke gevaren leiden.
2. **Onderhoud van de motor**
De motorwikkeling is het "hart" van het elektrische gereedschap. Er moet daarom bijzonder zorgvuldig op gelet worden, dat de wikkeling niet beschadigd en/of met olie of water bevochtigd wordt.
3. **Reinigen van de behuizing**
Gebruik een zachte droge doek, of wat soppig water, wanneer het snoerloos blaasapparaat bevuild is. Gebruik geen vloeistoffen zoals terpentijn of benzine om te voorkomen dat de afwerking beschadigd wordt.
4. **Opbergen**
Bewaar het snoerloos blaasapparaat op een plaats waar de temperatuur niet hoger is dan 40°C, en buiten het bereik van kinderen.
5. **Lijst vervangingsonderdelen**

LET OP

Reparatie, modificatie en inspectie van HiKOKI elektrisch gereedschap dient te worden uitgevoerd door een erkend HiKOKI Service-centrum. Deze Onderdelenlijst komt van pas wanneer u deze samen met het gereedschap aanbiedt bij het erkende HiKOKI Service-centrum wanneer u om reparatie of ander onderhoud verzoekt. Bij gebruik en onderhoud van elektrisch gereedschap dienen de in het land waar u zich bevindt geldende veiligheidsregelgeving en veiligheidsstandaarden strikt te worden opgevolgd.

MODIFICATIES

HiKOKI elektrisch gereedschap wordt voortdurend verbeterd en gewijzigd teneinde gebruik te kunnen maken van de nieuwste technische ontwikkelingen. Daarom is mogelijk dat sommige onderdelen zonder voorafgaande kennisgeving gewijzigd worden.

Belangrijke informatie voor batterijen van HiKOKI snoerloos elektrisch gereedschap

Gebruik altijd een van onze voorgeschreven originele batterijen. Wij kunnen de veiligheid en prestatie van ons snoerloos elektrisch gereedschap niet garanderen bij gebruik van andere dan de voorgeschreven batterijen, of als de batterij gedemonteerd of gewijzigd is (zoals demontage of vervanging van batterijcellen of andere inwendige onderdelen).

GARANTIE

De garantie op het elektrisch gereedschap van HiKOKI is in overeenstemming met de wettelijke/landspecifieke richtlijnen. Deze garantie dekt geen defecten of schade als gevolg van foutief gebruik, misbruik of normale slijtage. In geval van klachten verzoeken wij u het elektrisch gereedschap samen met het GARANTIECERTIFICAAT dat u achterin deze handleiding aantreft naar een erkend servicecentrum van HiKOKI te sturen. Indien door de gebruiker de machine wordt gedemonteerd vervalt de aanspraak op garantie.

AANTEKENING

Op grond van het voortdurende research- en ontwikkelingsprogramma van HiKOKI zijn veranderingen van de hierin genoemde technische opgaven voorbehouden.

Informatie betreffende luchtgeluid en trillingen

De gemeten waarden zijn verkregen overeenkomstig EN60745 en voldoen aan de eisen van ISO 4871.

Gemeten A-gewogen geluidsniveau: 91 dB (A)
Gemeten A-gewogen geluidsdruk niveau: 80 dB (A)
Onzekerheid KpA: 3 dB (A)

Draag gehoorbescherming.

Totale trillingswaarden (triax vector som) bepaald overeenkomstig EN60745.

Trillingsemisiewaarde $a_h = 2,9 \text{ m/s}^2$
Onzekerheid K = $1,5 \text{ m/s}^2$

WAARSCHUWING

- De trillingsemisiewaarde tijdens het feitelijke gebruik van het elektrisch gereedschap kan afwijken van de opgegeven waarde afhankelijk van de manieren waarop het gereedschap wordt gebruikt.
- Neem kennis van de veiligheidsmaatregelen voor de bescherming van de operator welke gebaseerd zijn op een schatting van blootstelling onder feitelijke gebruiksomstandigheden (rekening houdend met alle onderdelen van de gebruikscyclus, zoals de tijd dat het gereedschap is uitgeschakeld en wanneer dit onbelast draait inclusief de triggertijd).

ADVERTENCIAS DE SEGURIDAD GENERAL DE LA HERRAMIENTA ELÉCTRICA

⚠ ADVERTENCIA

Lea todas las instrucciones y advertencias de seguridad. Si no se siguen las advertencias e instrucciones, podría producirse una descarga eléctrica, un incendio y/o daños graves.

Guarde todas las advertencias e instrucciones para futura referencia.

El término “herramienta eléctrica” en las advertencias hace referencia a la herramienta eléctrica que funciona con la red de suministro (con cable) o a la herramienta eléctrica que funciona con pilas (sin cable).

1) Seguridad del área de trabajo

- Mantenga la zona de trabajo limpia y bien iluminada. Las zonas desordenadas u oscuras pueden provocar accidentes.
- No utilice las herramientas eléctricas en entornos explosivos como, por ejemplo, en presencia de líquidos inflamables, gases o polvo. Las herramientas eléctricas crean chispas que pueden inflamar el polvo o los humos.
- Mantenga a los niños y transeúntes alejados cuando utilice una herramienta eléctrica. Las distracciones pueden hacer que pierda el control.

2) Seguridad eléctrica

- Los enchufes de las herramientas eléctricas tienen que ser adecuados a la toma de corriente. No modifique el enchufe. No utilice enchufes adaptadores con herramientas eléctricas conectadas a tierra. Si no se modifican los enchufes y se utilizan tomas de corriente adecuadas se reducirá el riesgo de descarga eléctrica.
- Evite el contacto corporal con superficies conectadas a tierra como tuberías, radiadores y frigoríficos. Hay mayor riesgo de descarga eléctrica si su cuerpo está en contacto con el suelo.
- No exponga las herramientas eléctricas a la lluvia o a la humedad. La entrada de agua en una herramienta eléctrica aumentará el riesgo de descarga eléctrica.
- No utilice el cable incorrectamente. No utilice el cable para transportar, tirar de la herramienta eléctrica o desenchufarla. Mantenga el cable alejado del calor, del aceite, de bordes afilados o piezas móviles. Los cables dañados o enredados aumentan el riesgo de descarga eléctrica.
- Cuando utilice una herramienta eléctrica al aire libre, utilice un cable prolongador adecuado para utilizarse al aire libre. La utilización de un cable adecuado para usarse al aire libre reduce el riesgo de descarga eléctrica.
- Si no se puede evitar el uso de una herramienta eléctrica en un lugar húmedo, utilice un suministro protegido mediante un dispositivo de corriente residual (RCD). El uso de un RCD reduce el riesgo de descarga eléctrica.

3) Seguridad personal

- Esté atento, preste atención a lo que hace y utilice el sentido común cuando utilice una herramienta eléctrica.

No utilice una herramienta eléctrica cuando esté cansado o esté bajo la influencia de drogas, alcohol o medicación.

La distracción momentánea cuando utiliza herramientas eléctricas puede dar lugar a importantes daños personales.

- Utilice un equipo de protección. Utilice siempre una protección ocular.

El equipo de protección como máscara para el polvo, zapatos de seguridad antideslizantes, casco o protección para oídos utilizado para condiciones adecuadas reducirá los daños personales.

- Evite un inicio involuntario. Asegúrese de que el interruptor está en “off” antes de conectar la herramienta a una fuente de alimentación y/o batería, cogérlo o transportarla.

El transporte de herramientas eléctricas con el dedo en el interruptor o el encendido de herramientas eléctricas con el interruptor encendido puede provocar accidentes.

- Retire las llaves de ajuste antes de encender la herramienta eléctrica.

Si se deja una llave en una pieza giratoria de la herramienta eléctrica podrían producirse daños personales.

- No se extralimite. Mantenga un equilibrio adecuado en todo momento.

Esto permite un mayor control de la herramienta eléctrica en situaciones inesperadas.

- Vístase adecuadamente. No lleve prendas sueltas o joyas. Mantenga el pelo, la ropa y los guantes alejados de las piezas móviles.

La ropa suelta, las joyas y el pelo largo pueden pillarse en las piezas móviles.

- Si se proporcionan dispositivos para la conexión de extracción de polvo e instalaciones de recogida, asegúrese de que están conectados y se utilizan adecuadamente.

La utilización de un sistema de recogida de polvo puede reducir los riesgos relacionados con el polvo.

4) Utilización y mantenimiento de las herramientas eléctricas

- No fuerce la herramienta eléctrica. Utilice la herramienta eléctrica correcta para su aplicación.

La herramienta eléctrica correcta trabajará mejor y de forma más segura si se utiliza a la velocidad para la que fue diseñada.

- No utilice la herramienta eléctrica si el interruptor no la enciende y apaga.

Las herramientas eléctricas que no pueden controlarse con el interruptor son peligrosas y deben repararse.

- Desconecte el enchufe de la fuente eléctrica y/o la batería de la herramienta eléctrica antes de hacer ajustes, cambiar accesorios o almacenar herramientas eléctricas.

Estas medidas de seguridad preventivas reducen el riesgo de que la herramienta eléctrica se ponga en marcha accidentalmente.

- Guarde las herramientas eléctricas que no se utilicen para que no las cojan los niños y no permita que utilicen las herramientas eléctricas personas no familiarizadas con las mismas o con estas instrucciones.

Las herramientas eléctricas son peligrosas si son utilizadas por usuarios sin formación.

- e) **Mantenimiento de las herramientas eléctricas.** Compruebe si las piezas móviles están mal alineadas o unidas, si hay alguna pieza rota u otra condición que pudiera afectar al funcionamiento de las herramientas eléctricas. Si la herramienta eléctrica está dañada, llévela a reparar antes de utilizarla.

Se producen muchos accidentes por no realizar un mantenimiento correcto de las herramientas eléctricas.

- f) **Mantenga las herramientas de corte afiladas y limpias.**

Las herramientas de corte correctamente mantenidas con los bordes de corte afilados son más fáciles de controlar.

- g) **Utilice la herramienta eléctrica, los accesorios y las brocas de la herramienta, etc. de acuerdo con estas instrucciones, teniendo en cuenta las condiciones laborales y el trabajo que se va a realizar.**

La utilización de la herramienta eléctrica para operaciones diferentes a aquellas pretendidas podría dar lugar a una situación peligrosa.

- 5) **Utilización y mantenimiento de las herramientas a batería**

- a) **Recargue sólo con el cargador especificado por el fabricante.**

Un cargador adecuado para un tipo de batería podría crear peligro de incendio si se utiliza con otra batería.

- b) **Utilice herramientas eléctricas sólo con baterías designadas específicamente.**

La utilización de otras baterías podría crear peligro de daños e incendio.

- c) **Cuando no se utilice la batería, manténgala alejada de otros objetos metálicos como clips de papel, monedas, llaves, clavos, tornillos u otros objetos metálicos pequeños que puedan hacer una conexión de un terminal a otro.**

Si se acortan y acercan los terminales de las baterías, podrían producirse quemaduras o un incendio.

- d) **Bajo condiciones abusivas, podría salir líquido de la batería; evite todo contacto. Si se produce un contacto accidentalmente, aclare con agua. Si entra líquido en los ojos, busque ayuda médica.**

El líquido de la batería podría causar irritación o quemaduras.

- 6) **Revisión**

- a) **Lleve su herramienta a que la revise un experto cualificado que utilice sólo piezas de repuesto idénticas.**

Esto garantizará el mantenimiento de la seguridad de la herramienta eléctrica.

PRECAUCIÓN

Mantenga a los niños y a las personas enfermas alejadas. Cuando no se utilicen, las herramientas deben almacenarse fuera del alcance de los niños y de las personas enfermas.

ADVERTENCIA DE LA BATERÍA DE LITIO

Para ampliar su duración, la batería de litio está equipada con la función de protección para detener la salida.

En los casos 1 y 2 descritos más abajo, cuando utilice este producto, incluso si tira del interruptor, el motor puede detenerse. No es un problema, sino el resultado de la función de protección.

1. Cuando la batería restante se agota, el motor se detiene. En este caso, cárguela inmediatamente.
2. Si la herramienta se sobrecarga, el motor puede detenerse. En este caso, suelte el interruptor de la herramienta y elimine las causas de la sobrecarga. A continuación, puede volverla a utilizar.

Asimismo, preste atención a las siguientes advertencias y precauciones.

ADVERTENCIA

Para evitar fugas de la batería, generación de calor, emisión de humo, explosiones e igniciones, preste atención a las siguientes precauciones.

1. Asegúrese de que no entran virutas o polvo en la batería.
 - Durante el trabajo, asegúrese de que no caen virutas o polvo en la batería.
 - Asegúrese de que las virutas o el polvo que caen sobre la herramienta eléctrica durante el trabajo no entran en la batería.
 - No almacene una batería sin utilizar en un lugar expuesto a virutas y polvo.
 - Antes de almacenar una batería, retire las virutas y el polvo que se haya adherido y no la almacene junto a piezas metálicas (tornillos, clavos, etc.).
2. No agujeree la batería con un objeto afilado como un clavo, no la golpee con un martillo, la pise, la tire o la esponja a fuertes impactos físicos.
3. No utilice una batería que pudiera estar dañada o deformada.
4. No utilice la batería con las polaridades cambiadas.
5. No conecte la batería directamente a salidas eléctricas o a los encendedores de cigarrillos de los coches.
6. No utilice la batería para un fin diferente a los especificados.
7. Si la carga de la batería no finaliza incluso cuando ha transcurrido un determinado tiempo de recarga, detenga inmediatamente la recarga.
8. No coloque o esponja la batería a temperaturas elevadas o alta presión como en un microondas, una secadora o un contenedor de gran presión.
9. Aleje la del fuego inmediatamente cuando se detecte una fuga o un olor raro.
10. No la utilice en un lugar donde se genere gran electricidad estática.
11. Si hay una fuga de la batería, mal olor, se genera color, está descolorida o deformada, o de algún modo funciona de forma anormal durante su utilización, recarga o almacenamiento, retirela inmediatamente del equipo o del cargador de la batería y detenga su utilización.

PRECAUCIÓN

1. Si el líquido de fuga de la batería entra en contacto con los ojos, no se los frote y lávelos bien con agua limpia como, por ejemplo, agua del grifo y póngase en contacto con un médico inmediatamente. Si no se trata, el líquido podría causar problemas de visión.
2. Si el líquido de fuga entra en contacto con la piel o la ropa, lávela bien con agua limpia como, por ejemplo, agua del grifo inmediatamente. Podría producir irritación de la piel.
3. Si observa óxido, mal olor, recalentamiento, decoloración, deformación y/u otras irregularidades al utilizar la batería por primera vez, no la utilice y devuélvala a su proveedor o distribuidor.

ADVERTENCIA

Si un objeto extraño conductor de electricidad entra en los terminales de la batería de litio, podría producirse un cortocircuito, resultando en un riesgo de incendio. Por favor, respete los siguientes consejos cuando almacene la batería.

- No coloque cortes conductivos, clavos, cables de acero, cables de cobre u otros cables en la caja de almacenamiento.
- Instale el paquete de baterías en la herramienta eléctrica o almacénelo presionando la tapa de baterías hasta que se oculten los orificios de ventilación para evitar cortocircuitos. (Ver la Fig. 1)

PRECAUCIONES PARA EL SOPLADOR A BATERÍA

1. Siempre cargar la batería a una temperatura comprendida 0 – 40°C. Una temperatura inferior a 0°C causa una sobrecarga, lo que es peligroso. No puede cargarse la batería a una temperatura mayor de 40°C. La temperatura más apropiada para cargar es la de 20 – 25°C.
2. Cuando se completa la carga, dejar descansar el cargador por 15 minutos antes de proseguir con la carga siguiente. No cargue consecutivamente más de dos baterías.
3. No dejar que entre suciedad por el orificio de conexión de la batería recargable.
4. Nunca desarmar la batería recargable ni el cargador.
5. Nunca poner en cortocircuito la batería recargable. Poner en cortocircuito la batería produce una corriente eléctrica enorme y el consecuente recalentamiento, pudiendo quemar o deteriorar la batería.
6. No tirar la batería al fuego.
Si se quema la batería puede explotar.
7. Llevar la batería al sitio de compra original en el caso de que la duración de la batería recargable sea reducida al usarse. No tirar la batería descargada.
8. El uso de una batería descargada dañará el cargador.
9. No insertar objetos en las ranuras de ventilación del cargador.
La inserción de objetos metálicos o inflamables en dichas ranuras puede provocar descargas eléctricas o dañar el cargador.
10. No coloque las manos ni la cara cerca de la abertura del soplador a batería durante el uso.
Si lo hace, puede sufrir lesiones.
11. Aleje esta unidad lo suficiente de los conductores eléctricos cuando limpie secciones cargadas de electricidad, como, por ejemplo, un panel eléctrico.

12. No bloquee la abertura o entrada del soplador a batería. Si se bloquea la abertura del soplador a batería, se producirá un aumento anormal de la velocidad de rotación del motor y se podrían dañar los vanos de la sección interior de la unidad o bien producirse lesiones. Además, también se podría sobrecalentar el motor y provocar un incendio.
13. No utilice la máquina en lugares en los que haya materiales inflamables como laca, pintura, benceno, disolvente o gasolina. No permita tampoco que se aspiren elementos como colillas encendidas en dichas ubicaciones.
Se puede producir una explosión o un incendio.
14. No utilice la máquina en entornos sujetos a altas dosis de sustancias químicas, etc.
Las partes de plástico, como son los vanos de la parte interior de la unidad, podrían debilitarse y romperse, y producirse lesiones.
15. Si observa que la unidad funciona mal o que emite ruidos extraños, deje de usarla inmediatamente y apague el interruptor de encendido. Solicite una inspección y reparación a la tienda en la que adquirió la unidad o a un Centro de Servicio Autorizado de HiKOKI. Si sigue utilizando la unidad mientras funciona de forma anormal, se pueden producir lesiones.
16. Si la unidad se cae o choca accidentalmente con otro objeto, realice una revisión exhaustiva de la unidad para comprobar si presenta alguna raja, rotura, deformación, etc.
Si la unidad presenta alguna raja, rotura o deformación, puede sufrir lesiones.
17. No utilice la unidad cerca de objetos que generen mucho calor, como estufas.
Cerca de estos lugares se pueden producir incendios.
18. Realice una inspección exhaustiva si utiliza el soplador a batería para soplar o limpiar partículas de polvo viscoso. Las partículas de polvo se pueden succionar y adherir en el interior, provocando roturas en los vanos o lesiones.
19. No deje la unidad en lugares como un banco o el suelo mientras siga girando.
Se pueden producir lesiones.

ESPECIFICACIONES

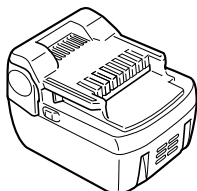
Modelo	RB14DSL (Sin batería ni cargador)	RB18DSL (Sin batería ni cargador)
Velocidad de marcha en vacío	0 – 15000 min ⁻¹	
Presión de aire	0 – 3,9 kPa	
Presión del volumen	0 – 2,2 m ³ / min	
Tiempo de funcionamiento continuo	15 min (Batería: 14,4 V, 3,0 Ah)	19 min (Batería: 18 V, 3,0 Ah)
Batería usable (Accesorios opcionales)	BSL1430: Li-ion 14,4 V (3,0 Ah 8 celdas)	BSL1830: Li-ion 18 V (3,0 Ah 10 celdas)
Cargador usable (Accesorios opcionales)	UC18YRSL	
Peso (Con batería)	1,5 kg	1,6 kg

ACCESORIO ESTANDAR

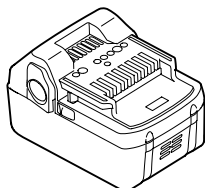
- Tobera 1
El accesorio estándar está sujeto a cambios sin previo aviso.

ACCESORIOS OPCIONALES (de venta por separado)

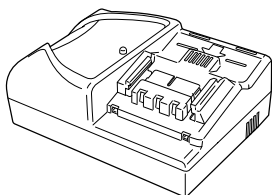
1. Batería
(1) BSL1430: RB14DSL



- (2) BSL1830: RB18DSL



2. Cargador (UC18YRSL)
Tensión de carga: 14,4 V 18 V



3. Colector de polvo



Lo accesorios facultativos están sujetos a cambio sin previo aviso.

APLICACIONES

- Limpiar instalaciones y aparatos en serrerías, plantas de elaboración de cigarrillos, hilanderías, etc.
- Limpiar dispositivos de equipos en locales de reparación.
- Operación de soplado.

DESMONTAJE E INSTALACIÓN DE LA BATERÍA

1. **Desmontaje de la batería**
Sujetar firmemente el asidero y presionar el cierre de la batería (2 pzas) para desmontarla (Ver las **Figs. 1 y 2**).

PRECAUCIÓN

No cortocircuitar nunca la batería.

2. **Instalación de la batería**
Insertar la batería observando sus polaridades (Ver la **Fig. 2**).

CARGA

Cargue la batería recargable siguiendo las instrucciones de manejo del cargador que esté utilizando. (**Fig. 3, 4**)

ANTES DE USAR LA HERRAMIENTA

1. **Instalación y comprobación del ambiente de trabajo**
Compruebe si el ambiente de trabajo es adecuado tomando las precauciones siguientes.

MONTAR Y DESMONTAR LA TOBERA Y EL COLECTOR DE POLVO

1. **Montar la tobera**
Inserte la patilla situada en el exterior de la boquilla en la ranura del puerto de expulsión, y gire la boquilla totalmente en la dirección que indica la flecha en la **Fig. 5**.
Desmontar la tobera, seguir los procedimientos antedichos a la inversa.
2. **Al usar el soplador a batería para recoger de polvo**
- (1) Montar el colector de polvo
Montar el colector de polvo en el acceso de aire de soplado siguiendo los mismos procedimientos descritos arriba para montar la tobera (**Fig. 6**).
 - (2) Montar la tobera
Inserte la patilla situada en la parte exterior de la boquilla en la ranura del puerto de succión y gire la boquilla totalmente en la dirección que indica la flecha en la **Fig. 7**.

CÓMO USAR EL SOPLADOR A BATERÍA

1. Operación del interruptor
Cuando se tira del gatillo del interruptor, la herramienta gira.
Cuando se suelta el gatillo, la herramienta se detiene.
2. Una cantidad de polvo demasiado grande en el colector reduciría la eficacia de recogida de polvo del soplador a batería.
Vaciar frecuentemente el colector de polvo para asegurar una eficiencia máxima de colectar el polvo.

MANTENIMIENTO E INSPECCION

1. Inspeccionar los tornillos de montaje

Regularmente inspeccionar todos los tornillos de montaje y asegurarse de que estén apretados firmemente. Si cualquier tornillo estuviera suelto, volver a apretarlo inmediatamente. El no hacer esto provocaría un riesgo serio.

2. Mantenimiento del motor

La unidad de bobinado del motor es el verdadero "corazón" de las herramientas eléctricas. Prestar el mayor cuidado y asegurarse de que el bobinado no se dañe y/o se humedezca con aceite o agua.

3. Limpieza del exterior

Cuando el soplador a batería esté sucio, limpiarlo con un paño mojado en agua jabonosa.

No utilizar disolventes clóricos, gasolina o disolventes para pinturas ya que éstos funden los materiales plásticos.

4. Almacenamiento

Guardar el soplador a batería en un lugar en el cual la temperatura sea inferior a 40°C y esté alejado del alcance de los niños.

5. Lista de repuestos

PRECAUCIÓN

La reparación, modificación e inspección de las herramientas eléctricas HiKOKI deben ser realizadas por un Centro de Servicio Autorizado de HiKOKI.

Esta lista de repuestos será de utilidad si es presentada junto con la herramienta al Centro de Servicio Autorizado de HiKOKI, para solicitar la reparación o cualquier otro tipo de mantenimiento.

En el manejo y el mantenimiento de las herramientas eléctricas, se deberán observar las normas y reglamentos vigentes en cada país.

MODIFICACIONES

HiKOKI Power Tools introduce constantemente mejoras y modificaciones para incorporar los últimos avances tecnológicos.

Por consiguiente, algunas partes pueden ser modificadas sin previo aviso.

Aviso importante sobre las pilas de las herramientas inalámbricas de HiKOKI

Utilice siempre una de nuestras pilas genuinas. No podemos garantizar la seguridad y el funcionamiento de nuestra herramienta eléctrica inalámbrica cuando se utiliza con pilas diferentes a las indicadas por nosotros o cuando la pila se desmonta y modifica (como cuando se desmontan y sustituyen celdas u otras piezas internas).

GARANTÍA

Las herramientas motorizadas de HiKOKI incluye una garantía conforme al reglamento específico legal/nacional. Esta garantía no cubre los defectos o daños debidos al uso incorrecto, el abuso o el desgaste normal. En caso de reclamación, envíe la herramienta motorizada, sin desmontar y con el CERTIFICADO DE GARANTÍA que aparece al final de estas instrucciones de uso, al Centro de Servicio Autorizado de HiKOKI.

OBSERVACION

Debido al programa continuo de investigación y desarrollo de HiKOKI éstas especificaciones están sujetas a cambio sin previo aviso.

Información sobre el ruido propagado por el aire y vibración

Los valores medidos se determinaron de acuerdo con EN60745 declararon de conformidad con ISO 4871.

Nivel de potencia auditiva ponderada A: 91 dB (A)

Nivel de presión auditiva ponderada A: 80 dB (A)

Duda KpA: 3 dB (A)

Utilice protecciones auriculares.

Valores totales de la vibración (suma de vectores triax.) determinados de acuerdo con EN60745.

Valor de emisión de la vibración $a_h = 2,9 \text{ m/s}^2$

Incertidumbre K = 1,5 m/s²

ADVERTENCIA

- El valor de emisión de la vibración durante la utilización de la herramienta eléctrica puede ser diferente del valor declarado dependiendo de las formas de utilización de la herramienta.
- Para identificar las medidas seguras para proteger al operario basadas en una estimación de exposición en las condiciones reales de uso (teniendo en cuenta todas las partes del ciclo de funcionamiento como tiempos cuando la herramienta está apagada y cuando funciona lentamente además del tiempo de activación).

AVISOS GERAIS DE SEGURANÇA PARA A FERRAMENTA ELÉCTRICA

⚠ AVISO

Leia todas as instruções e avisos de segurança

Se não seguir todas as instruções e os avisos, pode provocar um choque eléctrico, incêndio e/ou ferimentos graves.

Guarde todos os avisos e instruções para referência futura. O termo “ferramenta eléctrica” em todos os avisos refere-se à sua ferramenta ligada à corrente (com fios) ou à ferramenta eléctrica a baterias (sem fios).

1) Segurança da área de trabalho

- a) Mantenha a área de trabalho limpa e bem iluminada.

As áreas escuras ou cheias de material são propícias aos acidentes.

- b) Não trabalhe com ferramentas eléctricas em ambientes explosivos, tais como na presença de líquidos inflamáveis, gases ou pó.

As ferramentas eléctricas criam faíscas que podem inflamar o pó dos fumos.

- c) Mantenha as crianças e outras pessoas afastadas quando trabalhar com uma ferramenta eléctrica. As distrações podem fazer com que perca controlo.

2) Segurança eléctrica

- a) As fichas da ferramenta eléctrica devem corresponder às tomadas.

Nunca modifique a ficha.

Não utilize fichas adaptadoras com ferramentas eléctricas ligadas à terra.

As fichas não modificadas e tomadas correspondentes reduzirão o risco de choques eléctricos.

- b) Evite contacto corporal com superfícies ligadas à terra, tais como tubos, radiadores, máquinas e frigoríficos.

Existe um risco acrescido de choque eléctrico se o seu corpo estiver ligado à terra.

- c) Não exponha ferramentas eléctricas à chuva ou condições de humidade.

A entrada de água numa ferramenta eléctrica aumentará o risco de choques eléctricos.

- d) Não abuse do fio. Nunca utilize o fio para transportar, puxar ou desligar a ferramenta eléctrica.

Mantenha o fio afastado do calor, óleo, margens afiadas ou peças em movimento.

Os fios danificados ou entrelaçados podem aumentar o risco de choques eléctricos.

- e) Quando trabalhar com uma ferramenta eléctrica no exterior, utilize uma extensão adequada para utilização exterior.

A utilização de um fio adequado para utilização no exterior reduz o risco de choques eléctricos.

- f) Se não for possível evitar a utilização de uma máquina eléctrica num local húmido, utilize uma fonte de alimentação protegida por um dispositivo de corrente residual (RCD).

A utilização de um RCD reduz o risco de choque eléctrico.

3) Segurança pessoal

- a) Mantenha-se alerta, esteja atento ao que está a fazer e utilize senso comum quando trabalhar com uma ferramenta eléctrica.

Não utilize uma ferramenta eléctrica quando estiver cansado ou sob a influência de drogas, álcool ou medicamentos.

Um momento de desatenção enquanto trabalha com ferramentas eléctricas pode resultar em ferimentos pessoais graves.

- b) Utilize equipamento de protecção pessoal. Utilize sempre protecção para os olhos.

O equipamento de protecção, tal como uma máscara de pó, sapatos de segurança antiderrapantes, chapéu rígido ou protecção auricular utilizados para condições adequadas reduzirá os ferimentos pessoais.

- c) Evite ligar por acidente. Certifique-se de que o interruptor está na posição de desligado antes de ligar a fonte de alimentação e/ou bateria, levantar ou transportar a ferramenta.

Transportar ferramentas eléctricas com o dedo no interruptor ou activar ferramentas que estão com o interruptor ligado é propício a acidentes.

- d) Remova qualquer chave de parafusos ou chave-inglesa de regulação antes de ligar a ferramenta.

Uma chave-inglesa ou de parafusos ligada à parte rotativa da ferramenta pode provocar ferimentos pessoais.

- e) Não se estique. Mantenha sempre o controlo e equilíbrio adequados.

Isto permite obter um melhor controlo da ferramenta em situações inesperadas.

- f) Use vestuário adequado. Não use roupas largas ou jóias. Mantenha o cabelo, roupas e luvas afastados das peças móveis.

As roupas largas, jóias ou cabelo comprido podem ser apanhados em peças móveis.

- g) Se forem fornecidos dispositivos para a ligação de extractores de pó e dispositivos de recolha, certifique-se de que estes estão ligados e são utilizados adequadamente.

A utilização de uma recolha de pó pode reduzir os perigos relacionados com o pó.

4) Utilização da ferramenta e manutenção

- a) Não force a ferramenta eléctrica. Utilize a ferramenta correcta para a sua aplicação.

A ferramenta correcta fará o trabalho melhor e com mais segurança à velocidade para a qual foi concebida.

- b) Não utilize a ferramenta eléctrica se o interruptor não a ligar ou desligar.

Qualquer ferramenta que não possa ser controlada com o interruptor é perigosa e deve ser reparada.

- c) Desligue a ficha da rede antes e/ou a bateria da ferramenta eléctrica antes de efectuar quaisquer regulações, mudar os acessórios ou guardar ferramentas eléctricas.

Tais medidas de segurança de prevenção reduzem o risco de ligar a ferramenta eléctrica acidentalmente.

- d) Guarde as ferramentas eléctricas fora do alcance de crianças e não permita que pessoas não habituadas à ferramenta eléctrica ou estas instruções trabalhem com a ferramenta.

As ferramentas eléctricas são perigosas nas mãos de utilizadores inexperientes.

- e) Efectue a manutenção de ferramentas eléctricas.

Verifique a existência de desalinhamentos ou dobragens das peças móveis, quebras de peças e quaisquer outras condições que possam afectar o funcionamento das ferramentas eléctricas. Se danificada, mande reparar a ferramenta antes de utilizar.

Muitos acidentes são causados por ferramentas com má manutenção.

f) Mantenha as ferramentas de corte afiadas e limpas.

As ferramentas de corte com uma manutenção adequada e extremidades afiadas são menos propensas a dobrar e mais fáceis de controlar.

g) Utilize a ferramenta eléctrica, acessórios e pontas de ferramentas, etc., de acordo com estas instruções, tomando em consideração as condições de trabalho e o trabalho a ser efectuado. A utilização de uma ferramenta eléctrica para operações diferentes das concebidas pode resultar num mau funcionamento.

5) Utilização e manutenção da ferramenta com bateria

a) Apenas é recarregável com o carregador especificado pelo fabricante.

Um carregador que seja adequado para um tipo de bateria pode criar um risco de incêndio quando utilizado com outra bateria.

b) Utilize ferramentas eléctricas apenas nas baterias especialmente concebidas.

A utilização de quaisquer outras baterias poderá criar um risco de ferimentos e incêndios.

c) Quando não estiver a ser utilizada uma bateria, mantenha-a afastada de outros objectos metálicos, tais como cliques de papel, moedas, chaves, pregos, parafusos ou outros objectos metálicos pequenos que possam fazer uma ligação de um terminal para o outro.

Fazer curto-circuito dos terminais da bateria poderá causar queimaduras ou um incêndio.

d) Em condições abusivas, poderá ser ejectado líquido da bateria. Evite o contacto. Se ocorrer um contacto accidental, lave com água. Se o líquido entrar em contacto com os olhos, procure ajuda médica.

O líquido ejectado da bateria poderá provocar irritações ou queimaduras.

6) Manutenção

a) Faça a manutenção da sua ferramenta eléctrica por um pessoal de reparação qualificado e utilize apenas peças de substituição idênticas.

Isto garantirá que a segurança da ferramenta eléctrica é mantida.

AVISO

Mantenha afastadas das crianças e pessoas doentes. Quando não estiverem a ser utilizadas, as ferramentas devem ser guardadas fora do alcance de crianças e pessoas doentes.

PRECAUÇÕES PARA A BATERIA DE IÕES DE LÍTIO

Para aumentar a vida útil, a bateria de iões de lítio está equipada com uma função de protecção para impedir a transmissão de corrente.

Nos casos 1 e 2 descritos em baixo, quando utilizar este produto, mesmo que esteja a premir o botão, o motor poderá parar. Isto não constitui uma avaria, sendo o resultado da função de protecção.

1. Quando a carga restante da bateria se esgotar, o motor pára.
Nesse caso, carregue-a imediatamente.
2. Se a ferramenta estiver sobrecarregada, o motor poderá parar. Nesse caso, solte o botão da ferramenta e elimine as causas da sobrecarga. De seguida, pode voltar a utilizá-la.

Além disso, tenha em consideração os seguintes avisos e precauções.

AVISO

Para evitar antecipadamente qualquer fuga na bateria, produção de calor, emissão de fumo, explosão e ignição, certifique-se de que toma as seguintes precauções.

1. Certifique-se de que limalhas e pó não se acumulam na bateria.
 - Durante o trabalho, certifique-se de que limalhas e pó não caem na bateria.
 - Certifique-se de que qualquer limalha e pó que caia na ferramenta durante os trabalhos não se acumulam na bateria.
 - Não guarde uma bateria não utilizada num local exposto a limalhas e ao pó.
 - Antes de guardar uma bateria, remova quaisquer limalhas e pó que possam existir na mesma e não a guarde com peças metálicas (parafusos, pregos, etc.).
2. Não perfure a bateria com objectos afiados como pregos, não lhe bata com um martelo, e não pise, arremesse, nem submeta a bateria a impactos físicos severos.
3. Não utilize uma bateria que pareça estar danificada ou deformada.
4. Não utilize a bateria com a polaridade invertida.
5. Não a ligue directamente a quaisquer tomadas eléctricas ou tomadas de isqueiro de automóvel.
6. Não utilize a bateria para fins que não os especificados.
7. Se a bateria não carregar completamente mesmo após ter passado o tempo de recarga especificado, pare imediatamente de a recarregar.
8. Não coloque nem submeta a bateria a temperaturas elevadas ou a alta pressão, como as de um forno microondas, secador, ou recipiente de alta pressão.
9. Afaste-a imediatamente do fogo quando fugas ou maus odores forem detectados.
10. Não utilizar em locais onde seja produzida uma forte electricidade estática.
11. Se a bateria apresentar fugas, maus odores, produção de calor, descoloração ou deformações, ou parecer funcionar de forma anormal durante a utilização, recarga ou armazenamento, remova-a imediatamente do equipamento ou do carregador de baterias e pare de a utilizar.

CUIDADO

1. Se o líquido vertido pela bateria entrar nos seus olhos, não os esfregue e lave-os bem com água fresca e limpa como água da torneira e contacte imediatamente um médico.
Se não for tratado, o líquido pode provocar problemas nos olhos.
2. Se o líquido verter para a sua pele ou roupa, lave-a imediatamente com água limpa como água da torneira.
Existe a possibilidade do líquido provocar irritação cutânea.
3. Se se deparar com ferrugem, maus odores, sobreaquecimento, descoloração, deformações e/ou outras irregularidades ao utilizar a bateria pela primeira vez, pare de utilizá-la e devolva-a ao seu fornecedor ou vendedor.

AVISO

Se um objecto estranho condutor de electricidade entrar nos terminais da bateria de iões de lítio, pode ocorrer um curto-circuito, com o consequente risco de incêndio. Obedeça às indicações seguintes quando guardar a bateria.

- Não coloque rebarbas, pregos, fio de aço, fio de cobre ou qualquer outro tipo de fios na mala de armazenamento.
- Instale a bateria na ferramenta eléctrica ou guarde-a em segurança premindo a tampa da bateria até que os orifícios de ventilação estejam ocultos, para evitar curtos-circuitos. (Veja Fig. 1)

PRECAUÇÕES NO USO DO SOPRADOR A BATERIA

1. Recarregue sempre a bateria numa temperatura entre 0° e 40°C. Uma temperatura de menos de 0° C provocará uma recarga excessiva, o que é perigoso. Enquanto que numa temperatura acima de 40°C, a bateria não pode ser recarregada. A temperatura mais apropriada para a recarga é entre 20° e 25°C.
2. Quando terminar um recarregamento, libere o recarregador por cerca de 15 minutos antes da próxima recarga da bateria. Não recarregue mais do que duas baterias consecutivamente.
3. Não deixe que materiais estranhos entrem no orifício de conexão da bateria recarregável.
4. Não desmonte nunca a bateria recarregável nem o recarregador.
5. Nunca provoque curto-circuito na bateria recarregável. Ao fazer isso, a bateria provocará uma grande corrente eléctrica e um sobreaquecimento, podendo resultar em queima ou danos à bateria.
6. Não jogue a bateria no fogo. Queimando-se, ela pode explodir.
7. Leve a bateria à loja onde você a comprou assim que a vida útil da bateria após a recarga começar a ficar muito curta para uso prático. Não descarte a bateria velha.
8. O uso de uma bateria velha pode danificar o recarregador.
9. Não insira nenhum objeto nas aberturas de ventilação do recarregador. A inserção de objetos metálicos ou inflamáveis nas aberturas de ventilação do recarregador pode causar choques eléctricos ou danificar o recarregador.
10. Não coloque as mãos ou a face perto da abertura do soprador a bateria durante a utilização. Se o fizer, poderá provocar ferimentos.
11. Remova esta unidade para uma distância segura dos condutores eléctricos quando limpar secções com corrente eléctrica, tais como o painel eléctrico.
12. Não bloqueie a abertura ou saída do soprador a bateria. Se bloquear a abertura do soprador a bateria, a velocidade de rotação do motor aumentará de forma anormal e poderá danificar a secção interior da unidade ou provocar ferimentos. O motor poderá igualmente sobreaquecer e provocar um incêndio.
13. Não utilize em locais onde existam materiais inflamáveis, tais como verniz, tinta, benzina, diluente ou gasolina. Não permita igualmente que itens tais como pontas de cigarro acesas sejam sugadas para o interior. Poderão ocorrer explosões ou incêndios.
14. Não utilize em ambientes sujeitos a grandes doses de químicos, etc. As secções de plástico, tais como as válvulas na secção interior da unidade poderão enfraquecer e quebrar, podendo ocorrer ferimentos.
15. Se notar que a unidade está funcionar incorrectamente ou a fazer ruídos anormais, pare imediatamente de a utilizar e desligue o interruptor de alimentação. Peça uma inspecção e reparação do concessionário onde adquiriu a unidade ou uma Oficina Autorizada da HiKOKI. Se continuar a utilização, poderá provocar ferimentos.
16. Se a unidade for deixada cair ou atingir outro objecto, faça uma verificação total da unidade para a existência de rachadelas, quebras ou deformação, etc. Poderão ocorrer ferimentos se a unidade tiver rachadelas, quebras ou deformações.
17. Não utilize perto de objectos que gerem muito calor, tais como fogões. Poderão ocorrer incêndios se for utilizado perto desses locais.
18. Faça uma inspecção total se utilizar um soprador a bateria para soprar ou limpar pó viscoso ou partículas de pó. O pó ou partículas de pós podem ser sugadas e aderirem internamente, fazendo com que as paredes divisórias partam ou ocorram ferimentos.
19. Não deixe em localizações tais como bancos ou chão enquanto estiverem a rodar. Poderão ocorrer ferimentos.

ESPECIFICAÇÕES

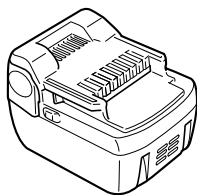
Modelo	RB14DSL (Sem bateria nem carregador)	RB18DSL (Sem bateria nem carregador)
Rotação sem carga	0 – 15000 min ⁻¹	
Pressão do ar	0 – 3,9 kPa	
Pressão do volume	0 – 2,2 m ³ / min	
Tempo de funcionamento contínuo	15 mm (Bateria: 14,4 V, 3,0 Ah)	19 mm (Bateria: 18 V, 3,0 Ah)
Bateria utilizável (Acessórios opcionais)	BSL1430: Li-ion 14,4 V (3,0 Ah 8 pilhas)	BSL1830: Li-ion 18 V (3,0 Ah 10 pilhas)
Recarregador utilizável (Acessórios opcionais)	UC18YRSL	
Peso (Com bateria)	1,5 kg	1,6 kg

ACESSÓRIOS-PADRÃO

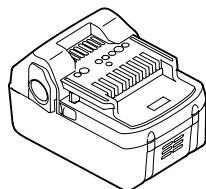
- Bico 1
Os acessórios-padrão estão sujeitos a mudanças sem aviso prévio.

ACESSÓRIOS OPCIONAIS (vendidos separadamente)

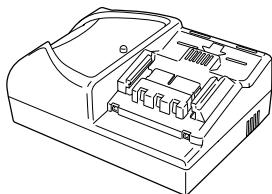
1. Bateria
(1) BSL1430: RB14DSL



- (2) BSL1830: RB18DSL



2. Recarregador (UC18YRSL)
Voltagem para recarga: 14,4 V 18 V



3. Saco do pó



Os acessórios opcionais estão sujeitos a mudanças sem aviso prévio.

APLICAÇÕES

- As instalações de limpeza e equipamento nas serrações, fábricas de fabrico de cigarros, fiações, etc.
- Dispositivos de limpeza e equipamento nas lojas de reparações.
- Operação de sopro.

RETIRADA/INSTALAÇÃO DA BATERIA

1. **Retirada da bateria**
Segure a empunhadora firmemente e aperte a lingüeta da bateria (2 peças) para retirar a bateria (veja Figs. 1 e 2).

CUIDADO

Não provoque nunca curto-circuito na bateria.

2. **Instalação da bateria**
Insira a bateria, observando a direção correta (veja Fig. 2).

RECARGA

No caso das baterias recarregáveis, carregue de acordo com as instruções de utilização do carregador que está a utilizar. (Fig. 3, 4)

ANTES DA OPERAÇÃO

1. **Definição e verificação do ambiente de trabalho**
Confirme se o ambiente de trabalho é apropriado, seguindo as precauções.

MONTAR E DESMONTAR O BICO E SACO DO PÓ

1. **Montar o bico**
Introduza o pinto que se encontra no exterior do bico no entalhe fornecido na porta de ventilação e rode totalmente o bico na direção indicada pela seta na Fig. 5.

Para desmontar o bico, siga o procedimento acima pela ordem inversa.

2. **Quando utilizar o soprador a bateria para recolha de pó**

- (1) Montar o saco do pó
Monte o saco do pó na porta de ventilação, seguindo o mesmo procedimento descrito em cima para montar o bico (Fig. 6).

- (2) Montar o bico
Introduza o pino que se encontra no exterior do bico no entalhe fornecido na porta de sucção e rode totalmente o bico na direção indicada pela seta na Fig. 7.

COMO UTILIZAR O SOPRADOR A BATERIA

1. Operação do interruptor
Quando o interruptor de gatilho é apertado, a ferramenta gira. Quando o gatilho é solto, a ferramenta pára de funcionar.
2. Um volume excessivo de pó no saco do pó reduzirá a eficiência da recolha de pó do soprador a bateria. Esvazie com frequência o saco do pó para garantir a máxima eficiência de recolha de pó.

MANUTENÇÃO E INSPEÇÃO

1. Inspeção dos parafusos de montagem

Inspeccione regularmente todos os parafusos de montagem e se certifique de que estão corretamente apertados. Se algum deles estiver frouxo, reaperte-o imediatamente. Caso isso não seja feito, pode resultar em perigo grave.

2. Manutenção do motor

A unidade de enrolamento do motor é o verdadeiro “coração” da ferramenta elétrica. Cuide bem para assegurar que o enrolamento não se danifique e/ou se molhe com óleo ou água.

3. Limpeza externa

Quando o soprador a bateria estiver manchado, limpe-o com um pano macio e seco humedecido com água com sabão. Não utilize solventes clorídricos, gasolina ou solventes de tinta, pois eles derretem plásticos.

4. Armazenagem

Guarde o soprador a bateria num local cuja temperatura seja menor que 40°C e fora do alcance de crianças.

5. Lista de peças para conserto

CAUIDADO

Consertos, modificações e inspeção de Ferramentas Elétricas da HiKOKI devem ser realizados por uma Oficina Autorizada da HiKOKI.

Esta lista de peças pode ser útil se apresentada com a ferramenta na Oficina Autorizada da HiKOKI ao solicitar conserto ou manutenção.

Na operação e na manutenção das ferramentas elétricas, devem-se observar as normas de segurança e os padrões prescritos por cada país.

MODIFICAÇÃO

As Ferramentas Elétricas da HiKOKI estão sempre sendo aperfeiçoadas e modificadas para incorporar os mais recentes avanços tecnológicos.

Dessa forma, algumas peças podem mudar sem aviso prévio.

Aviso importante sobre as baterias para as ferramentas sem fios HiKOKI.

Utilize sempre uma das nossas baterias originais designadas. Não podemos garantir a segurança e desempenho da nossa ferramenta sem fios quando é utilizada com baterias diferentes das baterias designadas por nós ou quando a bateria é desmontada e modificada (assim como desmontagem e substituição das células ou outras peças internas).

GARANTIA

Garantimos que a HiKOKI Power Tools obedece às respectivas normas específicas estatutárias/de país. Esta garantia não cobre avarias ou danos derivados de má utilização, abuso ou desgaste normal. Em caso de queixa, envie a Ferramenta, não desmontada, juntamente com o CERTIFICADO DE GARANTIA que se encontra no fundo destas instruções de utilização, para um Centro de Serviço Autorizado HiKOKI.

NOTA

Devido ao contínuo programa de pesquisa e desenvolvimento da HiKOKI, as especificações aqui contidas estão sujeitas a mudanças sem aviso prévio.

Informação a respeito de ruídos e vibração do ar

Os valores medidos foram determinados de acordo com a EN60745 e declarados em conformidade com a ISO 4871.

Nível de potência sonora ponderada A medida: 91 dB (A)

Nível de pressão sonora ponderada A medida: 80 dB (A)

Imprecisão KpA: 3 dB (A)

Use proteção auditiva.

Os valores totais da vibração (soma do vector triax) são determinados de acordo com a norma EN60745.

Valor de emissão de vibrações $a_h = 2,9 \text{ m/s}^2$

Incerteza de K = 1,5 m/s^2

AVISO

- O valor de emissão de vibrações durante a utilização da ferramenta eléctrica pode ser diferente do valor declarado, consoante as formas de utilização da ferramenta.
- Para identificar as medidas de segurança para proteger o operador, que são baseadas numa estimativa de exposição nas actuais condições de utilização (tendo em conta todas as partes do ciclo de funcionamento, tais como os tempos em que a ferramenta é desligada e quando está a funcionar ao ralenti, além do tempo de accionamento do gatilho).

ΓΕΝΙΚΕΣ ΠΡΟΕΙΔΟΠΟΙΗΣΕΙΣ ΑΣΦΑΛΕΙΑΣ ΗΛΕΚΤΡΙΚΟΥ ΕΡΓΑΛΕΙΟΥ

⚠ ΠΡΟΣΟΧΗ

Διαβάστε όλες τις προειδοποιήσεις ασφαλείας και όλες τις οδηγίες.

Η μη τήρηση των προειδοποιήσεων και οδηγιών μπορεί να προκαλέσει ηλεκτροπληξία, πυρκαγιά και/ή σοβαρό τραυματισμό.

Φυλάξτε όλες τις προειδοποιήσεις και τις οδηγίες για μελλοντική αναφορά.

Ο όρος "ηλεκτρικό εργαλείο" στις προειδοποιήσεις αναφέρεται στο ηλεκτρικό εργαλείο (με καλώδιο) που λειτουργεί στους αγωγούς ή στο ηλεκτρικό εργαλείο που λειτουργεί στη μπαταρία (χωρίς καλώδιο).

1) Ασφάλεια χώρου εργασίας

a) Διατηρείτε το χώρο εργασίας καθαρό και καλά φωτισμένο.

Σε ακατάστατες ή σκοτεινές περιοχές μπορεί να προκληθούν ατυχήματα.

b) Μην χρησιμοποιείτε τα ηλεκτρικά εργαλεία σε περιβάλλον, στο οποίο μπορεί να προκληθεί έκρηξη, όπως παρουσία εύφλεκτων υγρών, αερίων ή σκόνης.

Τα ηλεκτρικά εργαλεία δημιουργούν σπινθήρες, οι οποίοι μπορεί να αναφλέξουν τη σκόνη ή τον καπνό.

c) Κρατήστε τα παιδιά και τους παρευρισκόμενους μακριά όταν χρησιμοποιείτε ένα ηλεκτρικό εργαλείο. Αν αποσπαστεί η προσοχή σας, υπάρχει κίνδυνος να χάσετε τον έλεγχο.

2) Ηλ άλεια

a) Τα φως των ηλεκτρικών εργαλείων πρέπει να είναι κατάλληλα για τις πρίζες.

Μην τροποποιήσετε ποτέ το φως με οποιονδήποτε τρόπο.

Μη χρησιμοποιείτε φως προσαρμογής με γειωμένα ηλεκτρικά εργαλεία.

Τα μη τροποποιημένα φως και οι κατάλληλες πρίζες μειώνουν τον κίνδυνο ηλεκτροπληξίας.

b) Αποφύγετε τη σωματική επαφή με γειωμένες επιφάνειες όπως σωλήνες, θερμάστρες, μαγειρικές συσκευές και ψυγεία.

Υπάρχει αυξημένος κίνδυνος ηλεκτροπληξίας όταν το σώμα σας είναι γειωμένο.

c) Μην εκθέτετε τα ηλεκτρικά εργαλεία στη βροχή ή σε συνθήκες υγρασίας.

Το νερό που εισέρχεται σε ένα ηλεκτρικό εργαλείο αυξάνει τον κίνδυνο ηλεκτροπληξίας.

d) Μην ασκείτε δύναμη στο καλώδιο. Μη χρησιμοποιείτε ποτέ το καλώδιο για να μεταφέρετε, να τραβήξετε ή να βγάλετε από την πρίζα το ηλεκτρικό εργαλείο.

Κρατήστε το καλώδιο μακριά από θερμότητα, λάδι, κοφτερές γωνίες και κινούμενα μέρη.

Τα κατεστραμμένα ή μπερδεμένα καλώδια αυξάνουν τον κίνδυνο ηλεκτροπληξίας.

e) Όταν χρησιμοποιείτε το εργαλείο σε εξωτερικό χώρο, χρησιμοποιήστε καλώδιο προέκτασης που προορίζεται για χρήση σε εξωτερικό χώρο.

Η χρήση ενός καλωδίου κατάλληλου για εξωτερικό χώρο μειώνει τον κίνδυνο ηλεκτροπληξίας.

f) Αν είναι αναπόφευκτη η λειτουργία ενός ηλεκτρικού εργαλείου σε χώρο με υγρασία, χρησιμοποιείτε διάταξη προστασίας ρεύματος διαρροής (RCD).

Η χρήση της RCD μειώνει τον κίνδυνο ηλεκτροπληξίας.

3) Προσωπική ασφάλεια

a) Να είστε σε ετοιμότητα, να βλέπετε αυτό που κάνετε και να χρησιμοποιείτε την κοινή λογική όταν χρησιμοποιείτε ένα ηλεκτρικό εργαλείο.

Μη χρησιμοποιείτε ηλεκτρικά εργαλεία όταν είστε κουρασμένοι ή υπό την επήρεια ναρκωτικών ουσιών, οινοπνεύματος ή φαρμάκων.

Μια στιγμή απροσεξίας κατά τη χρήση ενός ηλεκτρικού εργαλείου μπορεί να προκαλέσει σοβαρό προσωπικό τραυματισμό.

b) Χρησιμοποιείτε προσωπικό προστατευτικό εξοπλισμό. Φοράτε πάντα προστασία για τα μάτια. Ο προστατευτικός εξοπλισμός, όπως μάσκα για τη σκόνη, αντιολισθητικά παπούτσια, σκληρό καπέλο ή προστασία για τα αυτιά, που χρησιμοποιείται για ανάλογες συνθήκες μπορεί να μειώσει τους τραυματισμούς.

c) Προλαμβάνετε τυχόν ακούσια εκκίνηση. Βεβαιωθείτε ότι ο διακόπτης είναι σε θέση απενεργοποίησης πριν συνδέσετε τη συσκευή με πηγή ρεύματος και/ή τη θήκη της μπαταρίας, πριν σηκώσετε ή μεταφέρετε το εργαλείο.

Η μεταφορά ηλεκτρικού εργαλείου με τα δάχτυλά σας στο διακόπτη ή η ηλεκτροδότηση ηλεκτρικού εργαλείου με ενεργοποιημένο το διακόπτη μπορεί να προκαλέσουν ατυχήματα.

d) Να αφαιρείτε τυχόν κλειδιά ρυθμιζόμενου ανοίγματος ή τα απλά κλειδιά πριν θέσετε σε λειτουργία το ηλεκτρικό εργαλείο.

Ένα απλό κλειδί ή ένα κλειδί ρυθμιζόμενου ανοίγματος που είναι προσαρτημένο σε περιστρεφόμενο εξάρτημα του ηλεκτρικού εργαλείου μπορεί να προκαλέσει προσωπικό τραυματισμό.

e) Μην τεντώνεστε. Να διατηρείτε πάντοτε το κατάλληλο πάτημα και την ισορροπία σας.

Με αυτόν τον τρόπο μπορείτε να ελέγχετε καλύτερα το ηλεκτρικό εργαλείο σε μη αναμενόμενες καταστάσεις.

f) Να είστε ντυμένοι κατάλληλα. Μη φοράτε φαρδιά ρούχα ή κοσμήματα. Να κρατάτε τα μαλλιά σας, τα ρούχα σας και τα γάντια σας μακριά από κινούμενα μέρη.

Τα φαρδιά ρούχα, τα κοσμήματα και τα μακριά μαλλιά μπορεί να πιαστούν σε κινούμενα μέρη.

g) Αν παρέχονται εξαρτήματα για τη σύνδεση συσκευών εξαγωγής και συλλογής σκόνης, να βεβαιώνετε ότι είναι συνδεδεμένα και χρησιμοποιούνται με το σωστό τρόπο.

Η χρήση συλλέκτη σκόνης μειώνει τους κινδύνους που προέρχονται από τη σκόνη.

4) Χρήση και φροντίδα ηλεκτρικών εργαλείων

a) Μην ασκείτε δύναμη στο ηλεκτρικό εργαλείο. Να χρησιμοποιείτε το ηλεκτρικό εργαλείο που είναι κατάλληλο για το είδος της εργασίας που εκτελείτε. Το κατάλληλο ηλεκτρικό εργαλείο θα εκτελέσει την εργασία καλύτερα και με μεγαλύτερη ασφάλεια με τον τρόπο που σχεδιάστηκε.

b) Μη χρησιμοποιήσετε το ηλεκτρικό εργαλείο αν ο διακόπτης λειτουργίας δεν ανοίγει και δεν κλείνει. Ένα ηλεκτρικό εργαλείο που δεν ελέγχεται από το διακόπτη λειτουργίας είναι επικίνδυνο και πρέπει να επισκευαστεί.

c) Αποσυνδέετε το βύσμα από την πηγή ισχύος και/ή τη θήκη μπαταρίας από το ηλεκτρικό εργαλείο πριν προβείτε σε ρυθμίσεις, αλλαγή εξαρτήματος ή αποθήκευση του ηλεκτρικού εργαλείου.

Αυτά τα προληπτικά μέτρα ασφαλείας μειώνουν τον κίνδυνο να ξεκινήσει το ηλεκτρικό εργαλείο κατά λάθος.

- d) Αποθηκεύετε τα εργαλεία που δεν χρησιμοποιείτε μακριά από παιδιά και μην αφήνετε τα άτομα που δεν είναι εξοικειωμένα με το ηλεκτρικό εργαλείο ή με αυτές τις οδηγίες να χρησιμοποιούν το ηλεκτρικό εργαλείο.
Τα ηλεκτρικά εργαλεία είναι επικίνδυνα στα χέρια μη εκπαιδευμένων ατόμων.
- e) Συντηρείτε τα ηλεκτρικά εργαλεία. Να ελέγχετε την ευθυγράμμιση τους ή το μπλοκάρισμα των κινούμενων μερών, τη θραύση των εξαρτημάτων και οποιαδήποτε άλλη κατάσταση που ενδέχεται να επηρεάσει τη λειτουργία του ηλεκτρικού εργαλείου. Σε περίπτωση θλάθης, το ηλεκτρικό εργαλείο πρέπει να επισκευαστεί πριν χρησιμοποιηθεί.
Πολλά ατυχήματα προκαλούνται από ηλεκτρικά εργαλεία που δεν έχουν συντηρηθεί σωστά.
- f) Διατηρείτε τα εργαλεία κοπής καθαρά και καθαρά. Τα κατάλληλα συντηρημένα εργαλεία κοπής με κοφτερές γωνίες μπλοκάρουν πιο δύσκολα και ελέγχονται πιο εύκολα.
- g) Χρησιμοποιείτε το ηλεκτρικό εργαλείο, τα εξαρτήματα και τα μέρη κ.τ.λ. σύμφωνα με τις παρούσες οδηγίες, λαμβάνοντας υπόψη τις συνθήκες εργασίας και την εργασία που θα εκτελέσετε.
Η χρήση του ηλεκτρικού εργαλείου για εργασίες πέρα από εκείνες για τις οποίες προορίζεται, ενδέχεται να δημιουργήσει κινδύνους.
- 5) Εργαλείο μπαταρίας – χρήση και φροντίδα
- a) Η επαναφόρτιση να πραγματοποιείται μόνο μέσω του φορτιστή που έχει καθοριστεί από τον κατασκευαστή.
Ο φορτιστής που είναι κατάλληλος για ένα τύπο μπαταρίας, ενδέχεται να προκαλέσει κίνδυνο πυρκαγιάς όταν χρησιμοποιείται με άλλου τύπου θήκη μπαταριών.
- b) Χρησιμοποιήστε ηλεκτρικά εργαλεία μόνο με τις ειδικά καθορισμένες θήκες μπαταριών.
Η χρήση οποιοδήποτε άλλου τύπου θήκης μπαταριών ενδέχεται να προκαλέσει τραυματισμό και πυρκαγιά.
- c) Όταν η θήκη μπαταριών είναι εκτός χρήσης, φυλάξτε την μακριά από άλλα μεταλλικά αντικείμενα όπως συνδέτρες, νομίσματα, κλειδιά, καρφιά, βίδες ή άλλα μικρού μεγέθους μεταλλικά αντικείμενα που μπορούν να πραγματοποιήσουν σύνδεση από τον ένα ακροδέκτη στον άλλο.
Αν τοποθετήσετε μαζί τους ακροδέκτες μπαταριών ενδέχεται να προκληθούν εγκαύματα ή πυρκαγιά.
- d) Υπό καταρσιτικές συνθήκες, ενδέχεται να εκτοξευτεί υγρό από την μπαταρία. Αποφύγετε την επαφή.
Σε περίπτωση επαφής με το υγρό από σφάλμα, ξεπλύνετε με νερό. Αν το υγρό έρθει σε επαφή με τα μάτια, ξεπλύνετε με νερό και ζητήστε ιατρική βοήθεια.
Το υγρό που εκτοξεύεται από την μπαταρία μπορεί να προκαλέσει ερεθισμό ή εγκαύματα.
- 6) Σέρβις
- a) Να δίνετε το ηλεκτρικό εργαλείο για σέρβις σε κατάλληλα εκπαιδευμένα άτομα και να χρησιμοποιείτε μόνο γνήσια ανταλλακτικά.
Με αυτόν τον τρόπο είστε σίγουροι για την ασφάλεια του ηλεκτρικού εργαλείου.

ΠΡΟΦΥΛΑΞΗ

Μακριά από τα παιδιά και τους αναπήρους.
Όταν δεν χρησιμοποιούνται, τα εργαλεία πρέπει να φυλάσσονται μακριά από τα παιδιά και τους αναπήρους.

ΠΡΟΣΟΧΗ ΣΤΗΝ ΜΠΑΤΑΡΙΑ ΙΟΝΤΩΝ ΛΙΘΙΟΥ

Για την επέκταση του χρόνου διάρκειας της μπαταρίας ιόντων λιθίου υπάρχει η λειτουργία προστασίας που σταματά την ισχύς εξόδου. Στις περιπτώσεις 1 και 2 περιγράφονται κατωτέρω, κατά τη χρήση του προϊόντος, ακόμη και τραβάτε το διακόπτη ο κινητήρας ενδέχεται να σταματήσει. Αυτό δεν είναι το πρόβλημα αλλά το αποτέλεσμα της λειτουργίας προστασίας.

1. Όταν η υπόλοιπη ισχύ της μπαταρίας που απομένει τελειώσει, ο κινητήρας σταματάει.
Στην περίπτωση αυτή θα πρέπει να τη φορτίσετε αμέσως.
2. Εάν υπάρχει υπερφόρτιση του εργαλείου ο κινητήρας ενδεχομένως να σταματήσει. Στην περίπτωση αυτή απελευθερώστε το διακόπτη του εργαλείου και εξαλειψτε την αιτία της υπερφόρτισης. Έπειτα από αυτό μπορείτε να το χρησιμοποιήσετε πάλι.

Παρακαλείστε, επίσης, να τηρείτε τις ακόλουθες προειδοποιήσεις και προφυλάξεις.

ΠΡΟΕΙΔΟΠΟΙΗΣΗ

Για να αποφύγετε τυχόν διαρροή της μπαταρίας, παραγωγή θερμότητας, εκπομπή καπνού, έκρηξη ή ανάφλεξη, πρέπει να τηρείτε τις ακόλουθες προφυλάξεις.

1. Βεβαιωθείτε ότι δεν συσσωρεύεται σκόνη στη μπαταρία.
 - Κατά την εργασία σας βεβαιωθείτε ότι δεν πέφτει σκόνη στη μπαταρία.
 - Βεβαιωθείτε ότι τυχόν σκόνες που πέφτουν πάνω στο ηλεκτρικό εργαλείο την ώρα που εργάζεστε με αυτό, δεν συσσωρεύονται στη μπαταρία.
 - Μην αποθηκεύετε αχρησιμοποίητες μπαταρίες σε σημείο εκτεθειμένο σε σκόνη.
 - Πριν να αποθηκεύσετε μία μπαταρία, απομακρύνετε τυχόν σκόνες που πιθανόν να έχουν κολλήσει πάνω της και μην την αποθηκεύετε μαζί με μεταλλικά μέρη (βίδες, καρφιά, κ.λπ.).
2. Μην τρπατέ τη μπαταρία με αιχμηρά αντικείμενα όπως καρφιά, μην χτυπάτε με σφυρί, μην πατάτε ή πετάτε τη μπαταρία. Προφυλάξτε την από ισχυρούς κραδασμούς.
3. Μην χρησιμοποιείτε μία εμφανώς κατεστραμμένη ή παραμορφωμένη μπαταρία.
4. Μην τοποθετείτε τη μπαταρία με λάθος τρόπο.
5. Μην συνδέετε απευθείας σε ηλεκτρική πρίζα ή στην υποδοχή του αναπτήρα στα αυτοκίνητα.
6. Μην χρησιμοποιείτε τη μπαταρία για χρήση άλλη πέραν της προβλεπόμενης.
7. Σε περίπτωση που δεν ολοκληρώνεται επιτυχώς η διαδικασία φόρτισης της μπαταρίας ακόμα και όταν έχει περάσει ο καθορισμένος χρόνος επαναφόρτισης, σταματήστε αμέσως οποιαδήποτε προσπάθεια επαναφόρτισης.
8. Η μπαταρία δεν πρέπει να εκτίθεται σε υψηλή θερμοκρασία ή υψηλή πίεση, όπως στην περίπτωση φούρνου μικροκυμάτων, ξηραντήρα ή δοχείου υψηλής πίεσης.
9. Απομακρύνετε αμέσως από τη φωτιά σε περίπτωση διαρροής ή δυσοσμίας.
10. Μην χρησιμοποιείτε σε περιβάλλον με έντονο στατικό ηλεκτρισμό.
11. Σε περίπτωση διαρροής της μπαταρίας, δυσοσμίας, παραγωγής θερμότητας, αποχρωματισμού ή παραμόρφωσης της, ή σε περίπτωση που παρατηρηθεί κάτι μη φυσιολογικό κατά τη διάρκεια της χρήσης, της επαναφόρτισης ή της αποθήκευσης, αφαιρέστε αμέσως από τον εξοπλισμό ή από τον φορτιστή τη μπαταρία και σταματήστε να χρησιμοποιείτε.

ΠΡΟΣΟΧΗ

1. Εάν διαρρεύσει υγρό από τη μπαταρία και έλθει σε επαφή με τα μάτια σας, μην τα τρίψετε, αλλά ξεπλύνετε τα πολύ καλά με καθαρό νερό όπως νερό βρύσης, και επικοινωνήστε αμέσως με γιαντρό. Εάν όχι, το υγρό μπορεί να προκαλέσει προβλήματα στα μάτια σας.
2. Εάν διαρρεύσει υγρό στο δέρμα ή τα ρούχα σας, ξεπλύνετε καλά με καθαρό νερό, όπως νερό βρύσης, αμέσως.
Υπάρχει το ενδεχόμενο να ερεθιστεί το δέρμα.
3. Εάν διαπιστώσετε σκουριά, δυσοσμία, υπερθέρμανση, αποχρωματισμό, παραμόρφωση, και/ή άλλες ανωμαλίες κατά τη χρήση της μπαταρίας για πρώτη φορά, μην την χρησιμοποιήσετε, αλλά επιστρέψετε την στον υπεύθυνο προμηθευτή ή πωλητή.

ΠΡΟΕΙΔΟΠΟΙΗΣΗ

Εάν ένα ηλεκτρικό αγώγιμο ξένο σώμα εισέλθει στους πόλους της μπαταρίας ιόντων λιθίου, μπορεί να προκύψει βραχυκύκλωμα με αποτέλεσμα τον κίνδυνο πυρκαγιάς. Παρακαλούμε προσέχετε τα παρακάτω κατά την αποθήκευση της μπαταρίας.

- **Μην τοποθετείτε ηλεκτρικά αγώγιμα τεμάχια, καρφιά, ατσάλινα, χάλκινα ή άλλα σύρματα στη θήκη αποθήκευσης.**
- **Τοποθετείτε την μπαταρία είτε μέσα στο ηλεκτρικό εργαλείο ή αποθηκεύετε την πιέζοντας δυνατά στο κάλυμμα της μπαταρίας, έως ότου αποκαλυφθούν οι όψεις εξαερισμού, ώστε να αποφευχθούν βραχυκύκλωμα. (Δείτε Εικ. 1)**

ΠΡΟΦΥΛΑΞΕΙΣ ΓΙΑ ΤΟΝ ΑΣΥΡΜΑΤΟ ΦΥΣΗΤΗΡΑ

1. Πάντοτε φορτίζετε την μπαταρία σε θερμοκρασία ανάμεσα 0 - 40°C. Μια θερμοκρασία μικρότερη από 0°C θα προκαλέσει την υπερφόρτιση που είναι επικίνδυνη. Η μπαταρία δεν μπορεί να φορτιστεί σε θερμοκρασία μεγαλύτερη από 40°C. Η πιο κατάλληλη θερμοκρασία για φόρτιση είναι αυτή των 20 - 25°C.
2. Όταν η μια φόρτιση ολοκληρωθεί, αφήστε το φορτιστή για 15 λεπτά πριν από την επόμενη φόρτιση μπαταρίας.
Μην φορτίζετε περισσότερες από δυο μπαταρίες στη σειρά.
3. Μην αφήσετε ξένα υλικά να μπουν στην τρύπα σύνδεσης της επαναφορτιζόμενης μπαταρίας.
4. Ποτέ μην αποσυναρμολογήσετε την επαναφορτιζόμενη μπαταρία και το φορτιστή.
5. Ποτέ μην βραχυκυκλώσετε την επαναφορτιζόμενη μπαταρία. Το βραχυκύκλωμα της μπαταρίας θα προκαλέσει ένα μεγάλο ηλεκτρικό ρεύμα και υπερθέρμανση. Προκαλεί το κάψιμο ή την υπερθέρμανση της μπαταρίας.
6. Μην πετάξετε την μπαταρία στη φωτιά.
Αν η μπαταρία καεί μπορεί να εκραγεί.
7. Πηγαίνετε την μπαταρία στο κατάστημα από το οποίο την αγοράσατε όταν η διάρκεια ζωής της μπαταρίας μετά από την φόρτιση έχει γίνει πολύ μικρή για πρακτική χρήση. Μην πετάξετε την τελειωμένη μπαταρία.
8. Η χρησιμοποίηση μια εξασθενημένης μπαταρίας θα προκαλέσει βλάβη στο φορτιστή.
9. Μην βάλτε κανένα αντικείμενο μέσα στις τρύπες εξαερισμού του φορτιστή.

Η είσοδος μεταλλικών αντικειμένων ή εύφλεκτων υλικών στις τρύπες εξαερισμού του φορτιστή θα προκαλέσει τον κίνδυνο ηλεκτροπληξίας ή την καταστροφή του φορτιστή.

10. Μην βάζετε τα χέρια σας ή το πρόσωπο σας κοντά στο άνοιγμα του ασύρματου φυσητήρα, ενώ αυτός βρίσκεται σε λειτουργία.
Αυτή η ενέργεια ενδέχεται να προκαλέσει τραυματισμούς.
11. Τοποθετήστε τη συσκευή σε ασφαλή απόσταση από ηλεκτρικούς αγωγούς όταν καθαρίζετε εξαρτήματα μεταφοράς ηλεκτρικού ρεύματος, όπως είναι οι ηλεκτρικοί πίνακες.
12. Μην φράζετε το άνοιγμα ή την είσοδο του ασύρματου φυσητήρα.
Ενδεχόμενο φράξιμο του ανοίγματος του ασύρματου φυσητήρα θα προκαλέσει δυσανάλογη αύξηση της ταχύτητας περιστροφής του κινητήρα ενώ είναι πιθανό να προκαλέσει βλάβη στα πτερύγια που βρίσκονται στο εσωτερικό της συσκευής ή τραυματισμούς. Ο κινητήρας μπορεί επίσης να υπερθερμανθεί και να προκαλέσει πυρκαγιά.
13. Μην χρησιμοποιείτε τη συσκευή σε μέρη όπου υπάρχουν εύφλεκτα υλικά όπως λάκα, μπεγιά, βενζίνιο, διαλυτικό ή βενζίνη. Επίσης, σε αυτά τα μέρη, μην αφήνετε τα αναμμένα αποτίγαρα να αναρροφούνται στο εσωτερικό της συσκευής.
Ενδέχεται να προκληθεί έκρηξη ή πυρκαγιά.
14. Μην χρησιμοποιείτε τη συσκευή σε περιβάλλοντα στα οποία υπάρχουν μεγάλες ποσότητες χημικών, κ.λπ. Τα πλαστικά μέρη, όπως τα πτερύγια στο εσωτερικό της συσκευής, μπορεί να χάσουν την αντοχή τους και να σπάσουν, ενώ ενδέχεται να προκληθούν και τραυματισμοί.
15. Αν παρατηρήσετε ότι η συσκευή δεν λειτουργεί ικανοποιητικά ή ακούτε μη φυσιολογικούς θορύβους, σταματήστε αμέσως τη χρήση της συσκευής και κλείστε το διακόπτη λειτουργίας. Ζητήστε να γίνει επιθεώρηση και επίσκεψη από τον αντιπρόσωπο που σας προμήθευσε τη συσκευή ή από ένα Εξουσιοδοτημένο κέντρο σέρβις της HIKOKI.
Αν συνεχίσετε να χρησιμοποιείτε τη συσκευή παρόλο που δεν λειτουργεί φυσιολογικά, ενδέχεται να προκαλέσετε τραυματισμούς.
16. Αν η συσκευή σας πέσει κατά λάθος ή προσκρούσει σε άλλο αντικείμενο, ελέγξτε τη συσκευή προσεκτικά για ρωγμές, θραύση ή παραμόρφωση, κ.λπ.
Ενδέχεται να προκληθούν τραυματισμοί αν η συσκευή έχει ραγίσει, σπάσει ή παραμορφωθεί.
17. Μην χρησιμοποιείτε τη συσκευή κοντά σε αντικείμενα που παράγουν έντονη θερμότητα, όπως είναι οι σόμπες.
Ενδέχεται να προκληθεί πυρκαγιά αν χρησιμοποιήσετε τη συσκευή σε αυτά τα μέρη.
18. Διενεργείτε προσεκτικό έλεγχο όταν χρησιμοποιείτε το φυσητήρα για φύσημα ή καθαρισμό κολλώδους σκόνης ή σωματιδίων σκόνης.
Η σκόνη ή τα σωματίδια σκόνης ενδέχεται να αναρροφηθούν και να προσκολληθούν στο εσωτερικό της συσκευής, προκαλώντας θραύση των πτερυγών ή τραυματισμούς.
19. Μην αφήνετε τη συσκευή, όταν εξακολουθεί να περιστρέφεται, σε θέσεις όπως πάγκοι ή δάπεδα.
Ενδέχεται να προκληθούν τραυματισμοί.

ΤΕΧΝΙΚΑ ΧΑΡΑΚΤΗΡΙΣΤΙΚΑ

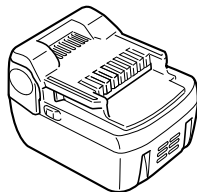
Μοντέλο	RB14DSL (χωρίς μπαταρία και φορτιστή)	RB18DSL (χωρίς μπαταρία και φορτιστή)
Ταχύτητα χωρίς φορτίο	0 – 15000 min ⁻¹	
Πίεση αέρος	0 – 3,9 kPa	
Όγκος αέρος	0 – 2,2 m ³ / min	
Συνεχής χρόνος λειτουργίας	15 min (Μπαταρία: 14,4 V, 3,0Ah)	19 min (Μπαταρία: 18 V, 3,0Ah)
Συμβατή μπαταρία (Προαιρετικά εξαρτήματα)	BSL1430: Li-ion 14,4 V (3,0 Ah 8 στοιχεία)	BSL1830: Li-ion 18 V (3,0 Ah 10 στοιχεία)
Συμβατός φορτιστής (Προαιρετικά εξαρτήματα)	UC18YRSL	
Βάρος (Με μπαταρία)	1,5 kg	1,6 kg

ΚΑΝΟΝΙΚΑ ΕΞΑΡΤΗΜΑΤΑ

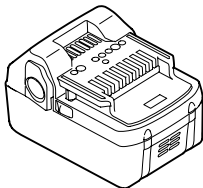
- Ακροφύσιο 1
Τα κανονικά εξαρτήματα μπορούν να αλλάξουν χωρίς προειδοποίηση.

**ΠΡΟΑΙΡΕΤΙΚΑ ΕΞΑΡΤΗΜΑΤΑ
(πωλούνται ξεχωριστά)**

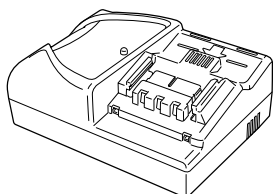
1. Μπαταρία
(1) BSL1430: RB14DSL



- (2) BSL1830: RB18DSL



2. Φορτιστής (UC18YRSL)
Τύπη Φόρτιστής: 14,4 V 18 V



3. Σάκος όκόνης



Τα προαιρετικά εξαρτήματα υπόκεινται σε αλλαγή χωρίς προειδοποίηση.

ΕΦΑΡΜΟΓΕΣ

- Καθαρισμός εγκαταστάσεων και εξοπλισμού σε μηχανήματα επεξεργασίας, εγκαταστάσεις παραγωγής τσιγάρων, περιστρεφόμενους μύλους, κ.λπ.
- Καθαρισμός συσκευών και εξοπλισμού σε συνεργεία επισκευών.
- Λειτουργία φυσήματος.

ΑΦΑΙΡΕΣΗ ΚΑΙ ΤΟΠΟΘΕΤΗΣΗ ΜΠΑΤΑΡΙΑΣ**1. Αφαίρεση μπαταρίας**

Κρατήστε την μπαταρία σφιχτά και σπρώξτε το μάνταλο της μπαταρίας (2 κομ.) για να αφαιρέσετε την μπαταρία (δείτε **Εικ. 1** και **2**).

ΠΡΟΣΟΧΗ

Ποτέ μην βραχυκυκλώσετε τη μπαταρία.

2. Τοποθέτηση μπαταρίας

Βάλτε την μπαταρία λαμβάνοντας υπόψη την πολικότητά της (δείτε **Εικ. 2**).

ΦΟΡΤΙΣΗ

Για τις επαναφορτιζόμενες μπαταρίες, παρακαλούμε, φορτίζετε σύμφωνα με τις οδηγίες χειρισμού του φορτιστή που χρησιμοποιείτε. (**Εικ. 3, 4**)

ΠΡΙΝ ΤΗ ΛΕΙΤΟΥΡΓΙΑ**1. Καθορισμός και έλεγχος του περιβάλλοντος εργασίας**

Ελέγξτε αν το περιβάλλον εργασίας είναι κατάλληλο ακολουθώντας τα μέτρα προφύλαξης.

ΤΟΠΟΘΕΤΗΣΗ ΚΑΙ ΑΦΑΙΡΕΣΗ ΑΚΡΟΦΥΣΙΟΥ ΚΑΙ ΣΑΚΟΥ ΣΚΟΝΗΣ

1. Τοποθέτηση του ακροφυσίου

Τοποθετήστε τον πείρο που βρίσκεται έξω από το ακροφύσιο μέσα στην εγκοπή που υπάρχει στο στόμιο του φυσητήρα και περιστρέψτε πλήρως το ακροφύσιο στην κατεύθυνση που υποδεικνύει το βέλος στην **Εικ. 5**.

Για να αφαιρέσετε το ακροφύσιο, εκτελέστε τις παραπάνω ενέργειες με αντίστροφη σειρά.

2. Όταν χρησιμοποιείτε τον Ασύρματο φυσητήρα για συλλογή σκόνης

(1) Τοποθέτηση του σάκου σκόνης

Τοποθετήστε το σάκο σκόνης στο στόμιο του φυσητήρα, εκτελώντας τις ενέργειες που περιγράφονται παραπάνω για την τοποθέτηση του ακροφυσίου (**Εικ. 6**).

(2) Τοποθέτηση του ακροφυσίου

Τοποθετήστε τον πείρο που βρίσκεται έξω από το ακροφύσιο μέσα στην εγκοπή που υπάρχει στο στόμιο αναρρόφησης και περιστρέψτε πλήρως το ακροφύσιο στην κατεύθυνση που υποδεικνύει το βέλος στην **Εικ. 7**.

ΠΩΣ ΧΡΗΣΙΜΟΠΟΙΕΙΤΑΙ Ο ΑΥΡΜΑΤΟΣ ΦΥΣΗΤΗΡΑΣ

1. Λειτουργία διακόπτη

Όταν ο σκανδάλη τραβηχτεί, το εργαλείο περιστρέφεται. Όταν η σκανδάλη ελευθερώνεται το εργαλείο σταματά.

2. Η ύπαρξη υπερβολικά μεγάλης ποσότητας σκόνης στη σακούλα σκόνης μειώνει την αποδοτικότητα συλλογής σκόνης του ασύρματου φυσητήρα. Να αδειάζετε συχνά το σάκο σκόνης για να διασφαλίζετε τη μέγιστη αποτελεσματικότητα κατά τη συλλογή σκόνης.

ΣΥΝΤΗΡΗΣΗ ΚΑΙ ΕΛΕΓΧΟΣ

1. Έλεγχος των διδών στερέωσης

Ελέγχετε περιοδικά όλες τις βίδες στερέωσης και βεβαιωθείτε ότι είναι κατάλληλα σφιγμένες. Στην περίπτωση που χαλαρώσει οποιαδήποτε βίδα σφίξτε την ξανά αμέσως. Αν δεν το κάνετε αυτό μπορεί να έχει ως αποτέλεσμα το σοβαρό τραυματισμό.

2. Συντήρηση του μοτέρ

Η περιέλιξη της μονάδα του μοτέρ είναι η καρδιά του ηλεκτρικού εργαλείου. Δώστε μεγάλη προσοχή για να σιγουρευτείτε ότι η περιέλιξη δεν θα πάθει ζημιά και / ή θα βρεχθεί με λάδι ή νερό.

3. Καθαρισμός του εξωτερικού

Όταν ο ασύρματος φυσητήρας λερωθεί, σκουπίστε με ένα μαλακό και στεγνό ύφασμα ή με ένα ύφασμα που έχει βραχεί σε σαπουνόνερο. Μην χρησιμοποιήσετε διαλυτικά που περιέχουν χλώριο, βενζίνη, ή διαλυτικά μπιογιάς, επειδή λειώνουν τα πλαστικά.

4. Αποθήκευση

Αποθηκεύστε τον ασύρματο φυσητήρα σε χώρο με θερμοκρασία μικρότερη των 40°C και μακριά από παιδιά.

5. Λίστα συντήρησης των μερών ΠΡΟΣΟΧΗ

Η επισκευή, η τροποποίηση και ο έλεγχος των Ηλεκτρικών Εργαλείων ΗΙΚΟΚΙ πρέπει να γίνεται από ένα Εξουσιοδοτημένο κέντροσέρβρις της ΗΙΚΟΚΙ. Αυτή η Λίστα των Μερών θα είναι χρήσιμη αν παρουσιαστεί μαζί με το εργαλείο στο εξουσιοδοτημένο Κέντρο Σέρβρις της ΗΙΚΟΚΙ όταν ζητάτε επισκευή ή κάποια άλλη συντήρηση.

Κατά τον έλεγχο και τη συντήρηση των ηλεκτρικών εργαλείων, οι κανόνες ασφαλείας και οι κανονισμοί που υπάρχουν σε κάθε χώρα πρέπει να ακολουθούνται.

ΤΡΟΠΟΠΟΙΗΣΗ

Τα Ηλεκτρικά Εργαλεία ΗΙΚΟΚΙ βελτιώνονται συνεχώς και τροποποιούνται για να συμπεριλάβουν τις τελευταίες τεχνολογικές προόδους.

Κατά συνέπεια, ορισμένα τμήματα μπορούν να αλλάξουν χωρίς προηγούμενη ειδοποίηση.

Σημαντική ειδοποίηση για τις μπαταρίες στα ηλεκτρικά εργαλεία της ΗΙΚΟΚΙ χωρίς καλώδιο

Να χρησιμοποιείτε πάντα μία από τις καθορισμένες γνήσιες μπαταρίες. Δεν μπορούν να εγγυηθούν την ασφάλεια και την απόδοση του ηλεκτρικού μας εργαλείου όταν χρησιμοποιείτε μπαταρίες που είναι διαφορετικές από αυτές που έχουν σχεδιαστεί από εμάς, ή όταν η μπαταρία είναι αποσυναρμολογημένη ή τροποποιημένη (λόγω αποσυναρμολόγησης ή αντικατάστασης στοιχείων ή άλλων εσωτερικών μερών).

ΕΓΓΥΗΣΗ

Εγγυώμαστε τα εργαλεία ΗΙΚΟΚΙ Power Tools σύμφωνα με τη νομοθεσία και τους κανονισμούς ανά χώρα. Η παρουσία εγγύηση δεν καλύπτει ελαττώματα ή ζημιές λόγω κακής χρήσης, κακοποίησης ή φυσιολογικής φθώρας. Σε περίπτωση παραπόνων παρακαλούμε αποστείλετε το Power Tool χωρίς να το αποσυναρμολογήσετε μαζί με το ΠΙΣΤΟΠΟΙΗΤΙΚΟ ΕΓΓΥΗΣΗΣ το οποίο βρίσκεται στο τέλος των οδηγιών αυτών, σε Εξουσιοδοτημένο Κέντρο Επισκευής της ΗΙΚΟΚΙ.

ΣΗΜΕΙΩΣΗ

Εξαιτίας του συνεχιζόμενου προγράμματος έρευνας και ανάπτυξης της ΗΙΚΟΚΙ τα τεχνικά χαρακτηριστικά που εδώ αναφέρονται μπορούν να αλλάξουν χωρίς προηγούμενη ειδοποίηση.

Πληροφορίες που αφορούν τον εκπεμπόμενο θόρυβο και τη δόνηση

Οι τιμές μετρήθηκαν σύμφωνα με το EN60745 και βρέθηκαν σύμφωνες με το ISO 4871.

Μετρηθείσα τυπική στάθμη ηχητικής ισχύος A: 91 dB (A)
Μετρηθείσα τυπική στάθμη ηχητικής πίεσης A: 80 dB (A)
Αβεβαιότητα KpA: 3 dB (A)

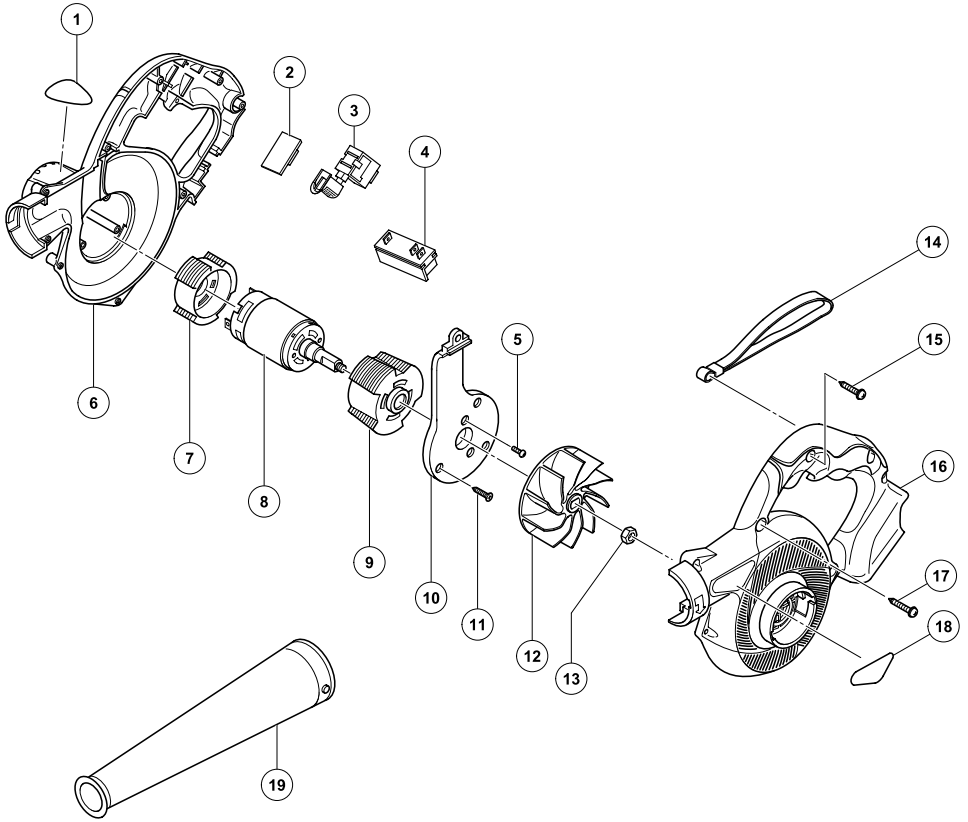
Φοράτε προστατευτικά αυτιών.

Συνολικές τιμές δόνησης (διανυσματικό άθροισμα τριαξονικού καλωδίου) που καθορίζονται σύμφωνα με το πρότυπο EN60745.

Τιμή εκπομπής δόνησης $a_h = 2,9 \text{ m/s}^2$
Αβεβαιότητα K = $1,5 \text{ m/s}^2$

ΠΡΟΣΟΧΗ

- Η τιμή εκπομπής δόνησης κατά την ουσιαστική χρήση του ηλεκτρικού εργαλείου μπορεί να διαφέρει από τη δηλωμένη τιμή, ανάλογα με το που και πως χρησιμοποιείται το εργαλείο.
- Για να αναγνωρίσετε τα μέτρα ασφαλείας για την προστασία του χειριστή που βασίζονται σε μία εκτίμηση της έκθεσης στις πραγματικές συνθήκες χρήσης (λαμβάνοντας υπόψη όλα τα μέρη του κύκλου λειτουργίας όπως τα διαστήματα που το εργαλείο είναι απενεργοποιημένο και όταν λειτουργεί στο ρελαντί μαζί με το χρόνο διέγερσης).



Item No.	Part Name	Q'TY
1	NNAME PLATE	1
2	PRINTED CIRCUIT BOARD	1
3	DC TRIGGER SWITCH (W/FELT)	1
4	BATTERY HOLDER	1
5	MACHINE SCREW M4 × 10	2
6	HOUSING (R)	1
7	MOTOR HOLDER (B)	1
8	MOTOR (W/SPINDLE)	1
9	MOTOR HOLDER (A)	1
10	MOTOR PLATE	1
11	TAPPING SCREW D3.5 × 15	3
12	FAN	1
13	NUT M6	1
14	STRAP	1
15	TAPPING SCREW D3.5 × 15	8
16	HOUSING (L)	1
17	TAPPING SCREW D3.5 × 20	1
18	BRAND LABEL	1
19	NOZZLE	1

<p>English</p> <p><u>GUARANTEE CERTIFICATE</u></p> <ol style="list-style-type: none"> ① Model No. ② Serial No. ③ Date of Purchase ④ Customer Name and Address ⑤ Dealer Name and Address (Please stamp dealer name and address) 	<p>Nederlands</p> <p><u>GARANTIEBEWIJS</u></p> <ol style="list-style-type: none"> ① Modelnummer ② Serienummer ③ Datum van aankoop ④ Naam en adres van de gebruiker ⑤ Naam en adres van de handelaar (Stempel a.u.b. naam en adres vande de handelaar)
<p>Deutsch</p> <p><u>GARANTIESCHEIN</u></p> <ol style="list-style-type: none"> ① Modell-Nr. ② Serien-Nr. ③ Kaufdatum ④ Name und Anschrift des Kunden ⑤ Name und Anschrift des Händlers (Bitte mit Namen und Anschrift des Handlers abstempeln) 	<p>Español</p> <p><u>CERTIFICADO DE GARANTIA</u></p> <ol style="list-style-type: none"> ① Número de modelo ② Número de serie ③ Fecha de adquisición ④ Nombre y dirección del cliente ⑤ Nombre y dirección del distribuidor (Se ruega poner el sellú del distribuidor con su nombre y dirección)
<p>Français</p> <p><u>CERTIFICAT DE GARANTIE</u></p> <ol style="list-style-type: none"> ① No. de modèle ② No de série ③ Date d'achat ④ Nom et adresse du client ⑤ Nom et adresse du revendeur (Cachet portant le nom et l'adresse du revendeur) 	<p>Português</p> <p><u>CERTIFICADO DE GARANTIA</u></p> <ol style="list-style-type: none"> ① Número do modelo ② Número do série ③ Data de compra ④ Nome e morada do cliente ⑤ Nome e morada do distribuidor (Por favor, carimbe o nome e morada do distribuidor)
<p>Italiano</p> <p><u>CERTIFICATO DI GARANZIA</u></p> <ol style="list-style-type: none"> ① Modello ② N° di serie ③ Data di acquisto ④ Nome e indirizzo dell'acquirente ⑤ Nome e indirizzo del rivenditore (Si prega di apporre il timbro con questi dati) 	<p>Ελληνικά</p> <p><u>ΠΙΣΤΟΠΟΙΗΤΙΚΟ ΕΓΓΥΗΣΗΣ</u></p> <ol style="list-style-type: none"> ① Αρ. Μοντέλου ② Αύξων Αρ. ③ Ημερομηνία αγοράς ④ Όνομα και διεύθυνση πελάτη ⑤ Όνομα και διεύθυνση μεταπωλητή (Παρακαλούμε να χρησιμοποιηθεί σφραγίδα)



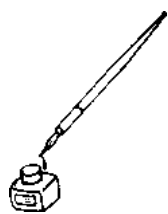
HIKOKI


①	
②	
③	
④	
⑤	









<p>English</p> <p>EC DECLARATION OF CONFORMITY</p> <p>We declare under our sole responsibility that Cordless Blower, identified by type and specific identification code *1), is in conformity with all relevant requirements of the directives *2) and standards *3). Technical file at *4) – See below. The European Standard Manager at the representative office in Europe is authorized to compile the technical file. The declaration is applicable to the product affixed CE marking.</p>	<p>Nederlands</p> <p>EC VERKLARING VAN CONFORMITEIT</p> <p>Wij verklaren onder onze eigen verantwoordelijkheid dat Snoerloze blaasapparaat, geïdentificeerd door het type en de specifieke identificatiecode*1), voldoet aan alle relevante bepalingen van de richtlijnen*2) en normen*3). Technische documentatie bij*4) – zie onder. De Europese Normen Manager bij de vertegenwoordiging in Europa is gemachtigd om het technisch dossier samen te stellen. Deze verklaring is van toepassing op producten voorzien van de CE-markeringen.</p>
<p>Deutsch</p> <p>EG-KONFORMITÄTSERKLÄRUNG</p> <p>Wir erklären in alleiniger Verantwortung, dass das durch den Typ und den spezifischen Identifizierungscode *1) identifizierte Akku-Gebläse allen einschlägigen Bestimmungen der Richtlinien *2) und Normen *3) entspricht. Technische Unterlagen unter *4) – Siehe unten. Die Leitung der repräsentativen Behörde für europäische Normen und Richtlinien ist berechtigt, die technischen Unterlagen zusammenzustellen. Die Erklärung gilt für die an dem Produkt angebrachte CE-Kennzeichnung.</p>	<p>Español</p> <p>DECLARACIÓN DE CONFORMIDAD DE LA CE</p> <p>Declaramos bajo nuestra única responsabilidad que el Soplador a batería, identificado por tipo y por código de identificación específico *1), está en conformidad con todas las disposiciones correspondientes de las directivas *2) y de las normas *3). Documentación técnica en *4) – Ver a continuación. El Director de Normas Europeas en la oficina de representación en Europa está autorizado para elaborar el expediente técnico. La declaración se aplica al producto con marcas de la CE.</p>
<p>Français</p> <p>DECLARATION DE CONFORMITE CE</p> <p>Nous déclarons sous notre entière responsabilité que le soufflette à batterie, identifié par le type et le code d'identification spécifique *1) est en conformité avec toutes les exigences applicables des directives *2) et des normes *3). Dossier technique en *4) – Voir ci-dessous. Le Gestionnaire des normes européennes du bureau de représentation en Europe est autorisé à constituer le dossier technique. Cette déclaration s'applique aux produits désignés CE.</p>	<p>Português</p> <p>DECLARAÇÃO DE CONFORMIDADE CE</p> <p>Declaramos, sob nossa única e inteira responsabilidade, que o Soprador a bateria, identificado por tipo e código de identificação específico *1), está em conformidade com todos os requisitos relevantes das diretivas *2) e normas *3). Ficheiro técnico em *4) – Consulte abaixo. O Gestor de Normas Europeas no escritório de representação na Europa está autorizado a compilar o ficheiro técnico. A declaração aplica-se aos produtos com marca CE.</p>
<p>Italiano</p> <p>DICHIARAZIONE DI CONFORMITÀ CE</p> <p>Dichiariamo sotto la nostra esclusiva responsabilità che il soffiatore-aspiratore a batteria, identificato dal tipo e dal codice identificativo specifico *1), è conforme a tutti i requisiti pertinenti delle direttive *2) e degli standard *3). Documentazione tecnica presso *4) – Vedere sotto. Il gestore delle norme europee presso l'ufficio di rappresentanza in Europa è autorizzato a compilare il fascicolo tecnico. La dichiarazione è applicabile ai prodotti cui sono applicati i marchi CE.</p>	<p>Ελληνικά</p> <p>ΕΚ ΔΗΛΩΣΗ ΕΝΑΡΜΟΝΙΣΜΟΥ</p> <p>Δηλώνουμε με αποκλειστική μας ευθύνη ότι ο Φυστηράς μπαταρίας, ο οποίος προορίζεται από τον τύπο και ειδικό αναγνωριστικό κωδικό *1), είναι σύμφωνος με όλες τις σχετικές απαιτήσεις των Οδηγιών *2) και με τα σχετικά πρότυπα *3). Τεχνικό Αρχείο στο *4) – Δείτε παρακάτω. Ο Διαχειριστής Ευρωπαϊκών Προτύπων στο γραφείο εκπροσώπησης στην Ευρώπη είναι εξουσιοδοτημένος για τη σύνταξη του τεχνικού φακέλου. Η δήλωση ισχύει μόνο για το προϊόν που είναι τοποθετημένη σήμανση CE.</p>
<p>*1) RB18DSL C337101R *2) 2006/42/EC, 2014/30/EU, 2014/35/EU, 2011/65/EU *3) EN60745-1:2009+A11:2010 EN60335-1:2012+A11:2014 EN60335-2-29:2004+A2:2010 EN55014-1:2006+A1:2009+A2:2011 EN55014-2:1997+A1:2001+A2:2008</p>	
<p>*4) Representative office in Europe Hikoki Power Tools Deutschland GmbH Siemensring 34, 47877 Willich, Germany</p> <p>Head office in Japan Koki Holdings Co., Ltd. Shinagawa Intercity Tower A, 15-1, Konan 2-chome, Minato-ku, Tokyo, Japan</p>	<p>29. 6. 2018 Naoto Yamashiro European Standard Manager</p> <p>29. 6. 2018  A. Nakagawa Corporate Officer</p> 