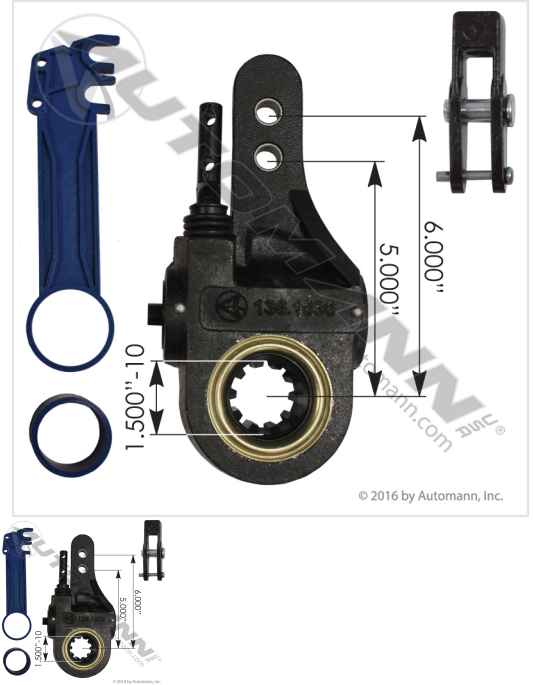


Crewson Type Slack Adjuster 5in-6in

Automann #	136.1030
UPC Code	889626014727
Categories	Air Brake & Wheel > Slack Adjusters > Automatic-Crewson Type Browse By Brand > Automann
Brand	Automann
Product Level	Fleet Standard
Description	<ul style="list-style-type: none"> • Automatic, Crewson Type 1-1/2in-10 x 5.0in to 6.0in Arm • Includes 136.G100 and 136.G101 Installation Gauge, Bushings, and 179.YK5008 Clevis Kit
Ref. #	E6991A, MK21103S
Applications	Dana/Spicer, Eaton, Fruehauf, Hendrickson Trailer, Meritor, Standard Forge
Shipping	Parcel friendly
Unit Size	1
Weight	7.7 lbs
Pkg. Dims (in)	10.187 X 4.875 X 2.625
Arrival Date	March 2007
Instruction Manual	136.1030 Instructions






Specifications

Attribute	Value
Applications	Dana/Spicer Eaton Fruehauf Hendrickson Trailer Meritor Standard Forge
Slack Type	Automatic-Crewson Type
Spline Count	10
Spline Dia.	1-1/2"

Attribute	Value
Arm Length (L1-L2)	5"-6"

Includes

Automann #	Image	Product Name	QTY
136.G100		Crewson Type Slack Adjuster Gauge CB	1
136.G101		Crewson Type Slack Adjuster Gauge CB	1
179.YK5008		Clevis Kit Crewson Type 5/8in-18	1

Where Used

This item is featured in the following schematics:

Name	Type
Eaton Drive Axle 15" x 8-5/8" / FMSI 4717 (Reduced Envelope)	Brake
Eaton Trailer Axle 16-1/2" x 7" FMSI 4709 ("ES-I" Extended Service Single Anchor Pin)	Brake
Meritor Drive Axle 16-1/2" x 7" FMSI 4515E ("P" Series Double Anchor Pin)	Brake
Eaton Trailer Axle 16-1/2" x 7" / FMSI 4311J (Standard 501 Series Single Anchor Pin)	Brake
Eaton Trailer Axle 16-1/2" x 7" / FMSI 4709 ("ES-I" Extended Service Single Anchor Pin)	Brake
Eaton Trailer Axle 16-1/2" x 7" / FMSI 4709 ("ES-II" Extended Service Single Anchor Pin)	Brake
Fruehauf Trailer Axle 12-1/4" X 8" / FMSI 4649 ("Pro-Par" Double Anchor Pin)	Brake
Fruehauf Trailer Axle 16-1/2" x 7" / FMSI 4515E ("Pro-Par" Double Anchor Pin)	Brake
Hendrickson Intraax Trailer Axle 16-1/2" x 7" / FMSI 4515E, 4707 (With Camshaft Tube)-	Brake
Hendrickson Intraax Trailer Axle 16-1/2" x 7" / FMSI 4515E, 4707 (With Exposed Camshaft)	Brake
Eaton Steer Axle 15" x 6" / FMSI 4716 (Reduced Envelope)	Brake

Name	Type
Meritor Trailer Axle 16-1/2" X 7" / FMSI 4515E ("P" Series Double Anchor Pin)	Brake
Meritor Trailer Axle 16-1/2" X 7" / FMSI 4515E ("Q" Series Double Anchor Pin)	Brake
Dana Spicer Trailer Axle Axle:16-1/2" X 7" / FMSI 4515E (Standard Double Anchor Pin)	Brake
Dana Spicer Trailer Axle 16-1/2" X 7" / FMSI 4515E ("Fast Change" Double Anchor Pin)	Brake
Dana Spicer Trailer Axle 16-1/2" X 7" / FMSI 4701 ("XL" Xtralife Double Anchor Pin)	Brake
Eaton Trailer Axle 16-1/2" X 7" / FMSI 4709 ("ES-II" Extended Service Single Anchor Pin)	Brake
Std. Forge Trailer Axle 16-1/2" X 7" / FMSI 4515E (Late Model Double Anchor Pin)	Brake

Series

There is no series data for this product.

Cross Reference

Name	Part Number	Notes
Crewson	CB21103	Automatic Slack Adjuster
Euclid	E6991A	Automatic Slack Adjuster
Leland	L3003	Automatic Slack Adjuster