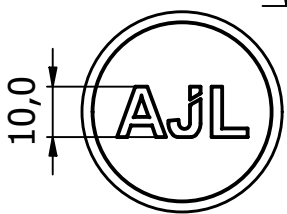


ABS CONSTRUCTION
 304 STAINLESS STEEL SPINDLE & BEARINGS
 INTEGRAL NEOPRENE SEALING GASKET
 SUITS ROOF THICKNESSES 1-17mm
 UTILISE 2527/0011 ADAPTOR UNIT FOR DOUBLE SKINNED ROOF

PART No.	COLOUR
2527/111	BLACK - RAL 9005
2527/222	WHITE - RAL 9010



REV	DESCRIPTION	DATE	APPROVED
2	FINISH TABLE UPDATED	08/11/21	U.F
1	VALIDATION COMPLETE	10/01/19	A.P



VIEW A

GENERAL TOLERANCES ON LENGTHS

0.5 - 6 ± 0.1mm
6 - 30 ± 0.2mm
30 - 120 ± 0.3mm
120 - 400 ± 0.5mm
400 - 1000 ± 0.8mm
1000 - 2000 ± 1.2mm
2000 - 4000 ± 2.0mm

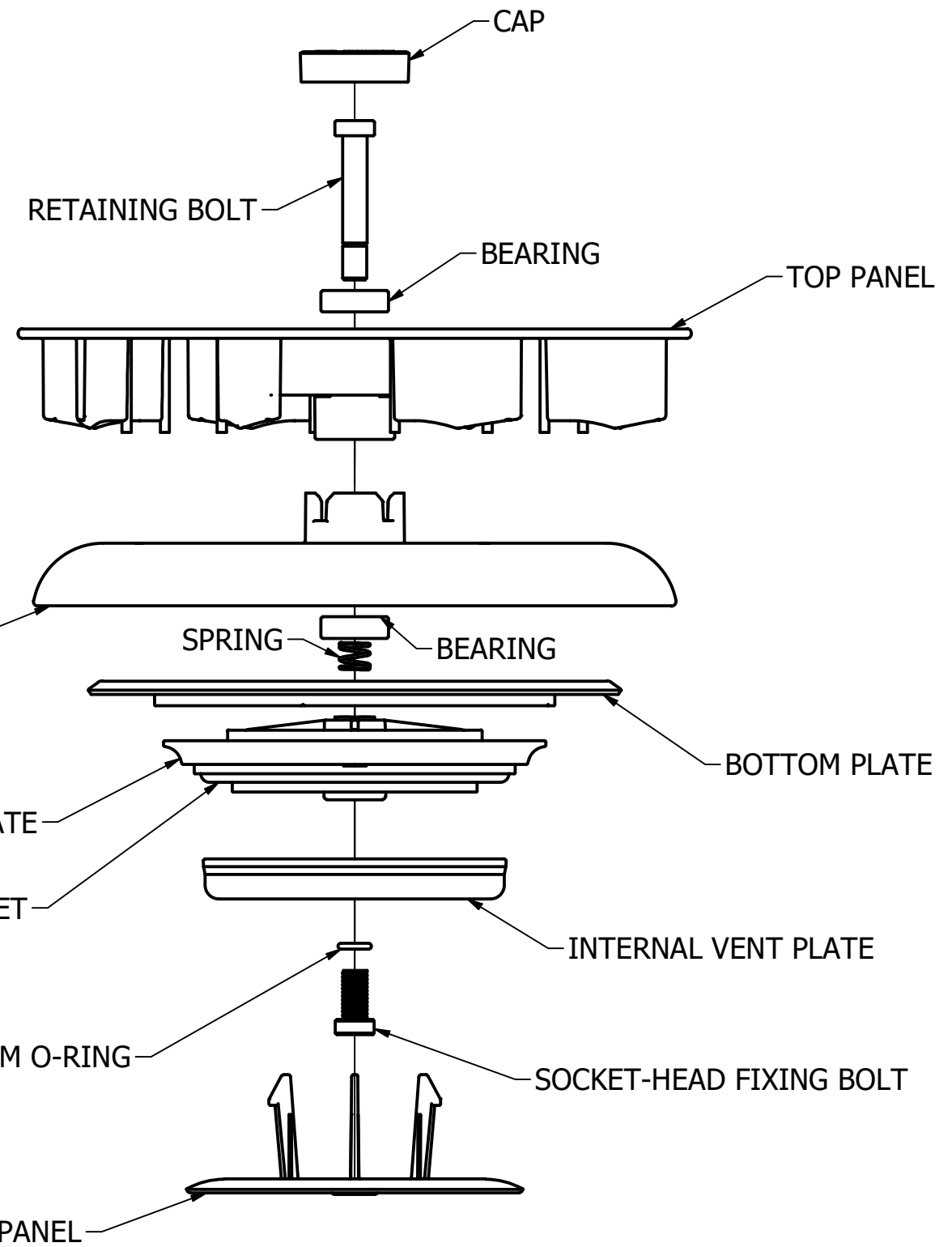
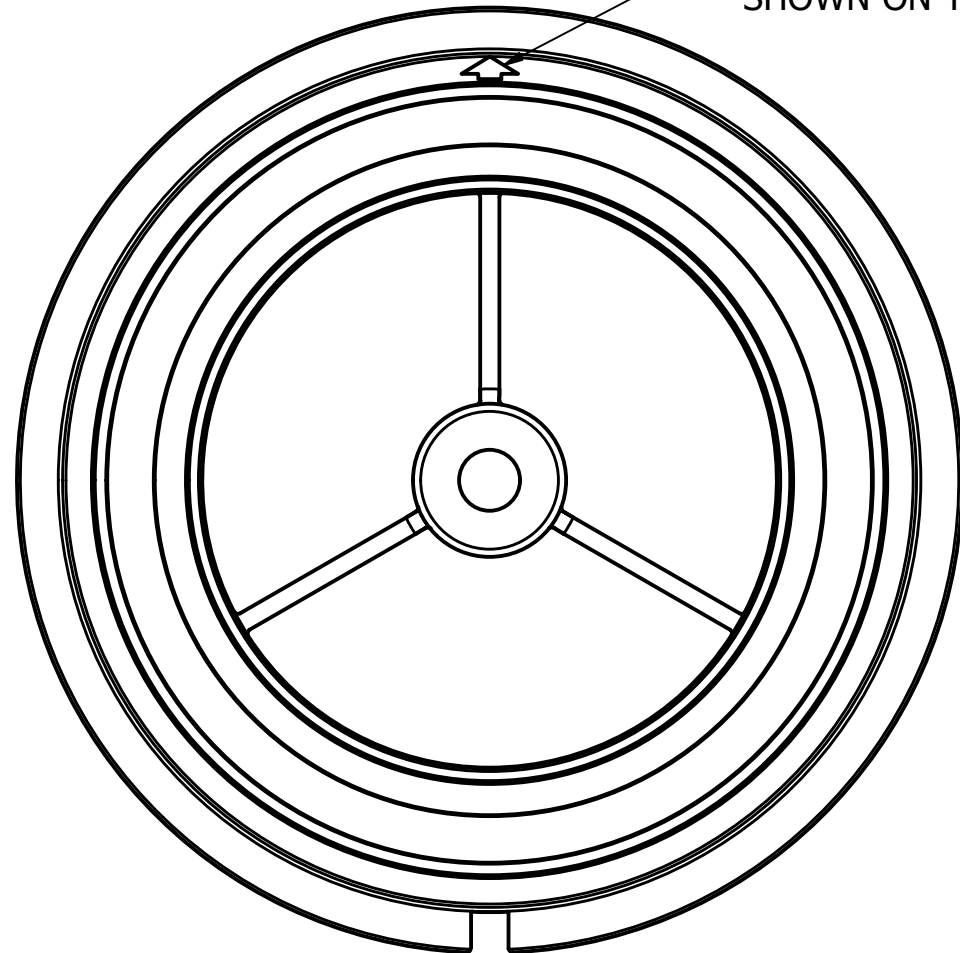
ALBERT JAGGER LTD
 GREEN LANE
 WALSALL WEST MIDLANDS WS2 8HG
 PHONE: 01922 471000
 FAX: 01922 648021

THIS DRAWING & THE DESIGN SHOWN ARE THE PROPERTY OF ALBERT JAGGER LTD AND MUST NOT BE USED OR COPIED BY A THIRD PARTY WITHOUT PERMISSION

DRAWN BY U.F	CHECKED BY A.P	SCALE 1:1.5	MATERIAL SEE NOTE	MASS 0.535 kg	FINISH SEE TABLE	Date 02/02/2018	ALL DIMS IN MM UNLESS STATED DO NOT SCALE	A3
						CENTAFLOW ROTARY VENTILATOR		
						2527-111	Edition 2	Sheet 1 / 2

FEATURES TO BE INCLUDED ON EXTERNAL VENT PLATE

ARROW TO BE EMBOSSED ONTO FLAT EDGE AS SHOWN ON THE VISIBLE FACE



NOTE:

M/STEEL ZINC PLATED ALLEN-HEAD BOLT AND O-RING ARE PROVIDED AS A FIXING PACK CONTAINING THE FOLLOWING SIZE BOLTS:

- M8 x 16
- M8 x 20
- M8 x 25

2	FINISH TABLE UPDATED	08/11/21	U.F
1	VALIDATION COMPLETE	10/01/19	A.P
REV	DESCRIPTION	DATE	APPROVED

GENERAL TOLERANCES ON LENGTHS	
0.5 - 6 ± 0.1mm	
6 - 30 ± 0.2mm	
30 - 120 ± 0.3mm	
120 - 400 ± 0.5mm	
400 - 1000 ± 0.8mm	
1000 - 2000 ± 1.2mm	
2000 - 4000 ± 2.0mm	

ALBERT JAGGER LTD
 GREEN LANE
 WALSALL PHONE: 01922 471000
 WEST MIDLANDS FAX: 01922 648021
 WS2 8HG

THIS DRAWING & THE DESIGN SHOWN ARE THE PROPERTY OF ALBERT JAGGER LTD AND MUST NOT BE USED OR COPIED BY A THIRD PARTY WITHOUT PERMISSION

DRAWN BY
U.F

CHECKED BY
A.P



SCALE
1 : 2

MATERIAL
SEE NOTE

MASS
0.535 kg

FINISH
SEE TABLE

Date
02/02/2018

ALL DIMS IN MM UNLESS STATED DO NOT SCALE

A3



albert Jagger

CENTAFLOW ROTARY VENTILATOR

2527-111

Edition	Sheet
2	2 / 2