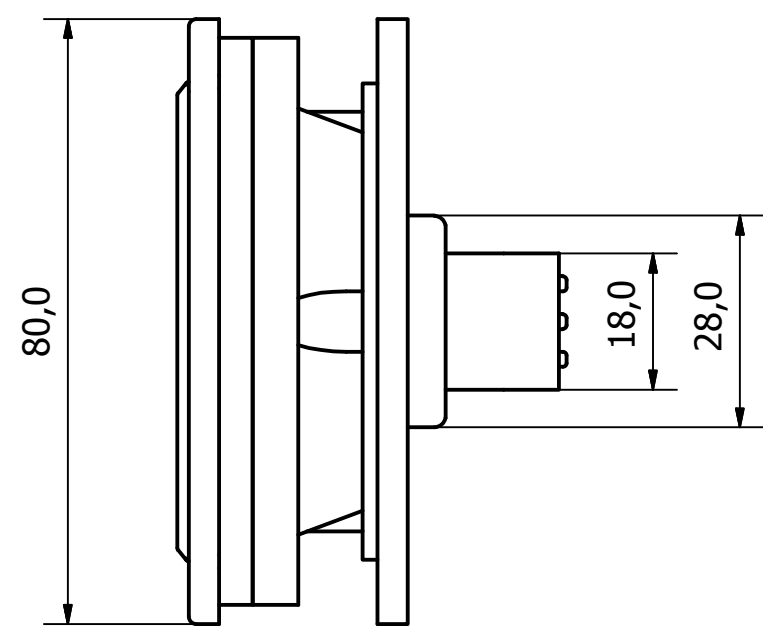
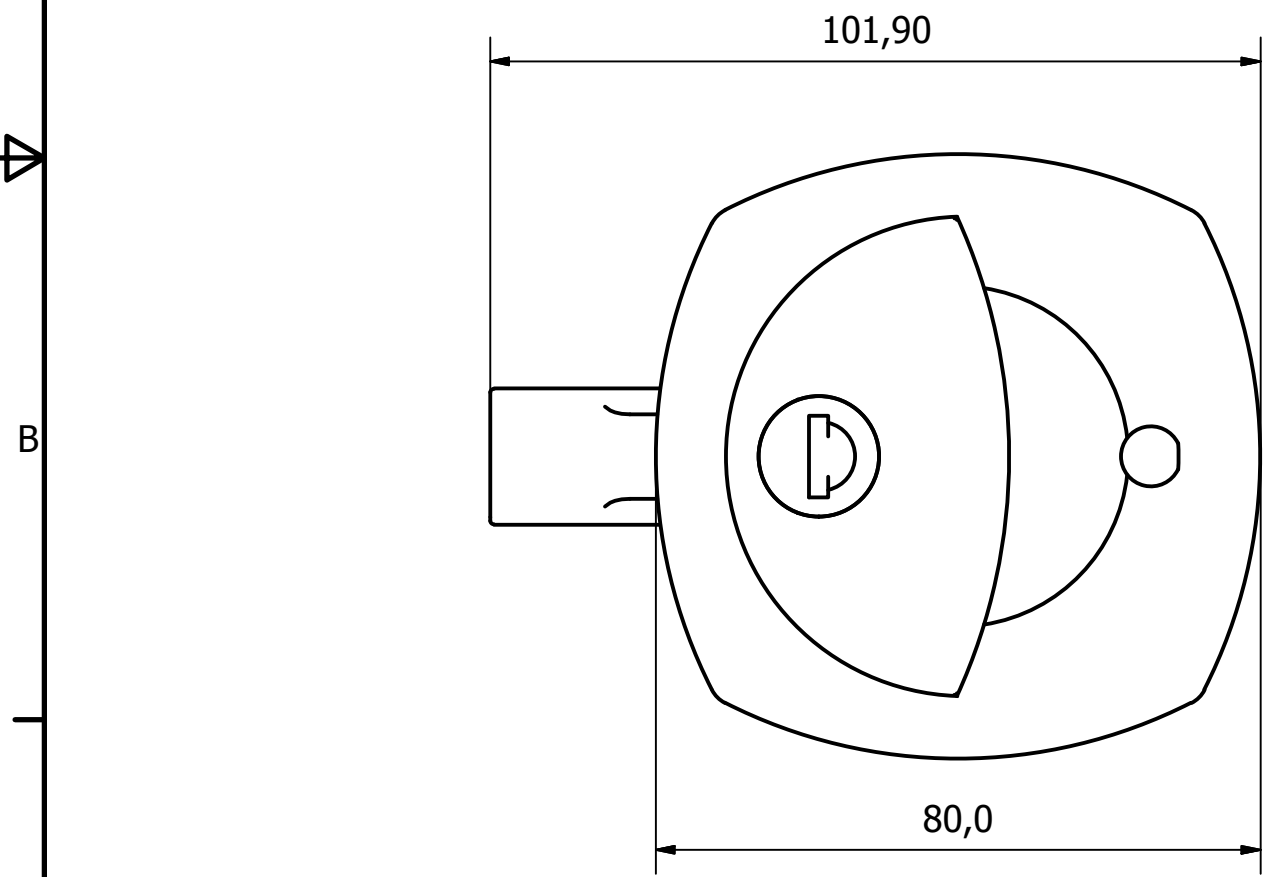
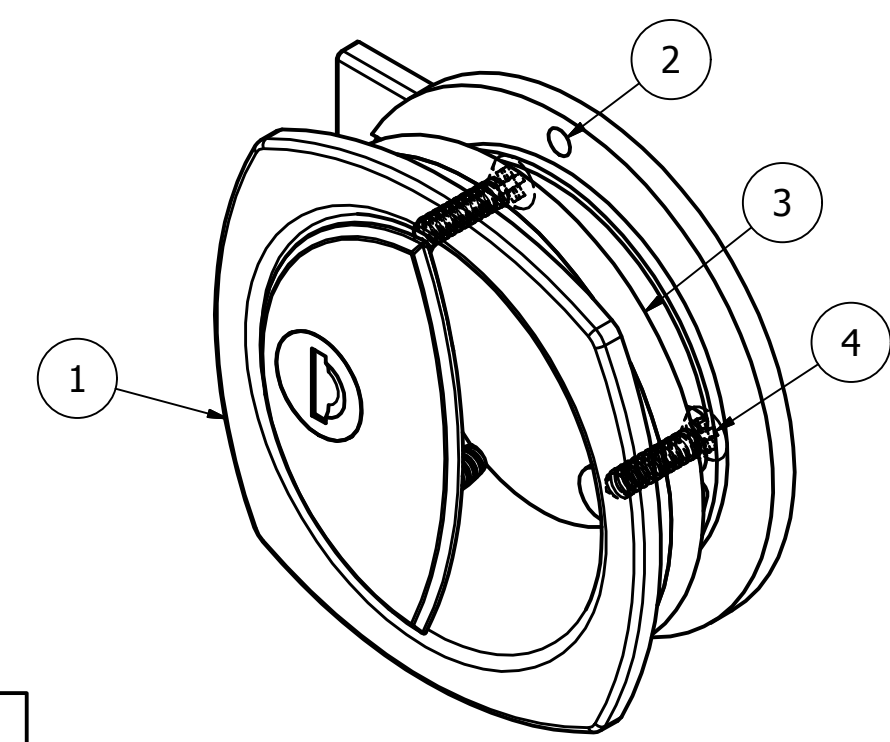
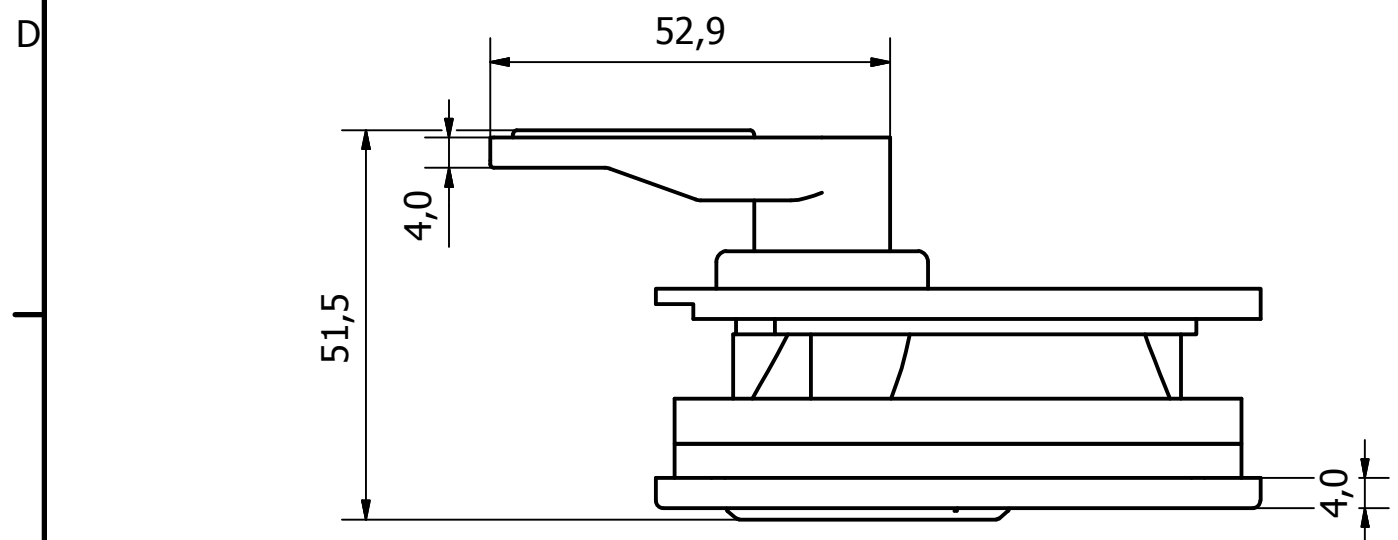


6 5 4 3 2 1 1

PARTS LIST			
ITEM	QTY	PART NUMBER	DESCRIPTION
1	1	1199-001-1	BLACK PLASTIC LOCK CASE ASSEMBLY
2	1	1199-001-2	BLACK PLASTIC LOCK COVER PLATE
3	2	1199-001-3	BLACK SPONGE SEAL
4	3	1199-001-4	M/STEEL Z/C PASSIVATE M5 SCREW



BLACK PLASTIC CASE AND COVER PLATE, WITH A DIE-CAST CAM AND SPONGE SEALS. LOCK COMES WITH TWO KEYS.

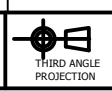
GENERAL TOLERANCES ON LENGTHS
0.5 - 6 ± 0.1mm
6 - 30 ± 0.2mm
30 - 120 ± 0.3mm
120 - 400 ± 0.5mm
400 - 1000 ± 0.8mm
1000 - 2000 ± 1.2mm
2000 - 4000 ± 2.0mm

ALBERT JAGGER LTD
 GREEN LANE
 WALSALL PHONE: 01922 471000
 WEST MIDLANDS FAX: 01922 648021
 WS2 8HG

THIS DRAWING & THE DESIGN SHOWN ARE THE PROPERTY OF ALBERT JAGGER LTD AND MUST NOT BE USED OR COPIED BY A THIRD PARTY WITHOUT PERMISSION

DRAWN BY
U.F

CHECKED BY
A.P



SCALE
1 : 1

MATERIAL
-

MASS
0.080 kg

FINISH
SEE TABLE

Date
18/05/2017

ALL DIMS IN MM UNLESS STATED DO NOT SCALE

A3

1	VALIDATION COMPLETE	27/07/17	A.P
REV	DESCRIPTION	DATE	APPROVED



BLACK RECESSED COMPARTMENT LOCK

1199-001

Edition 1
Sheet 1 / 1

6 5 4 3 2 1 1