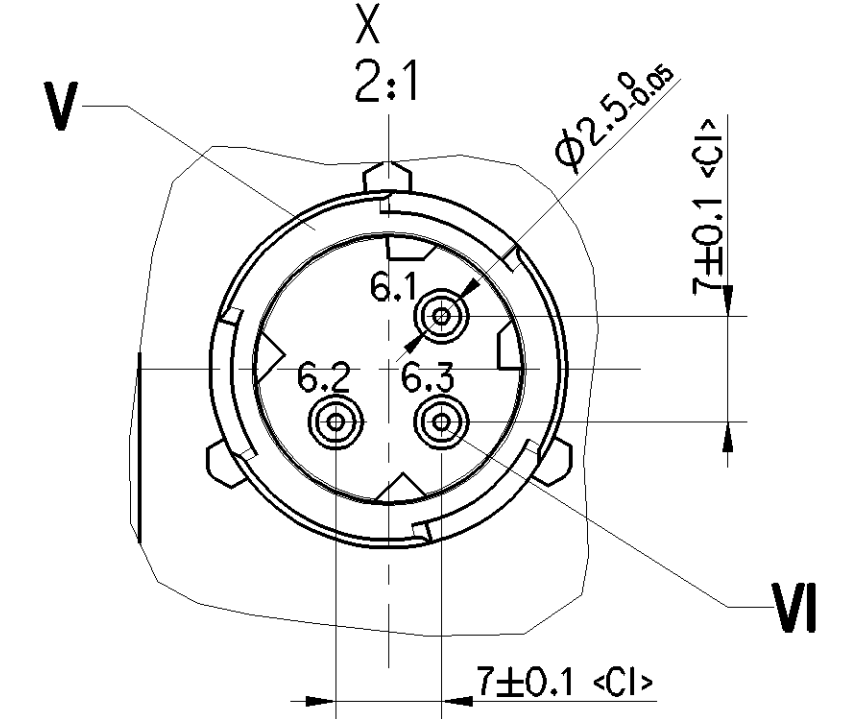
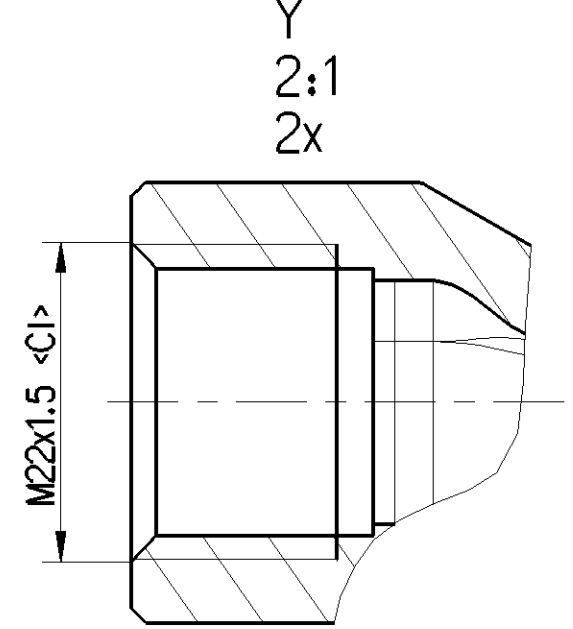
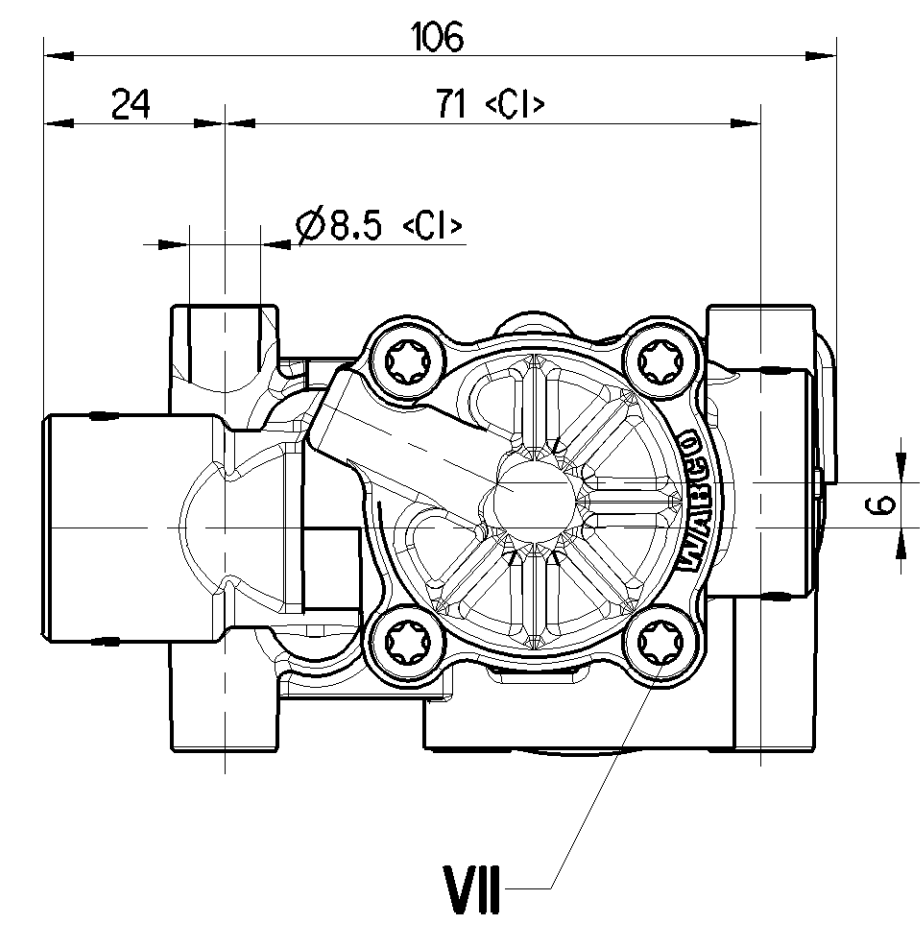
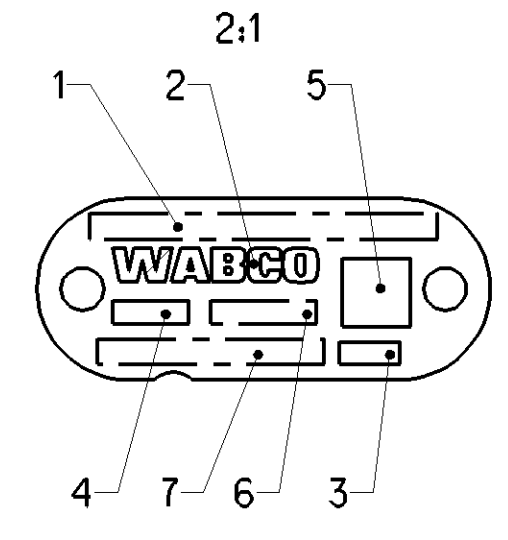
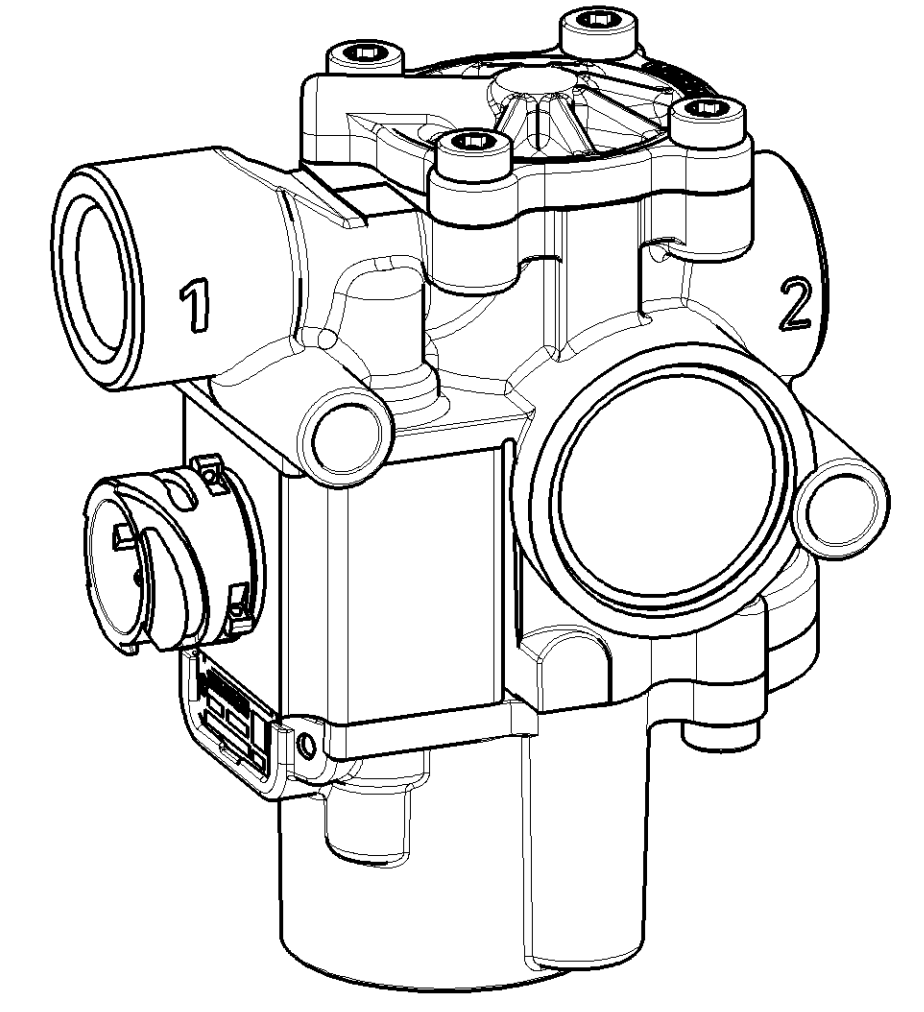
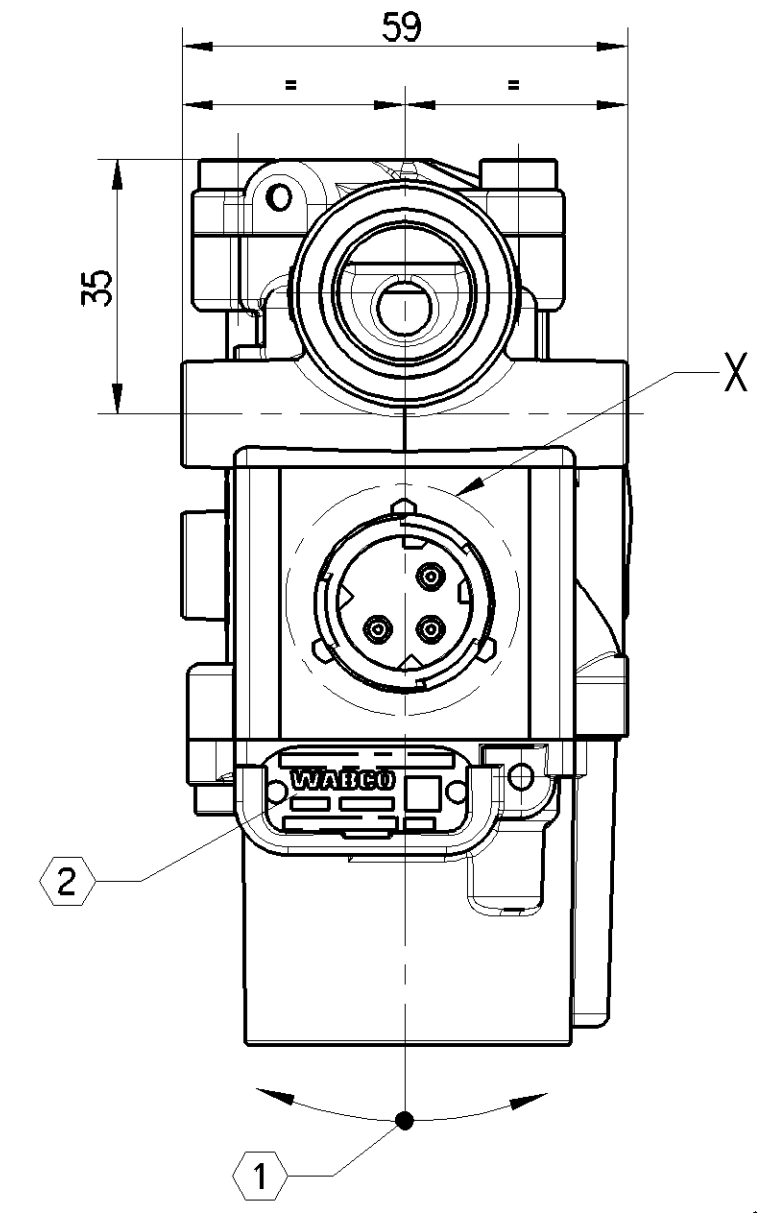
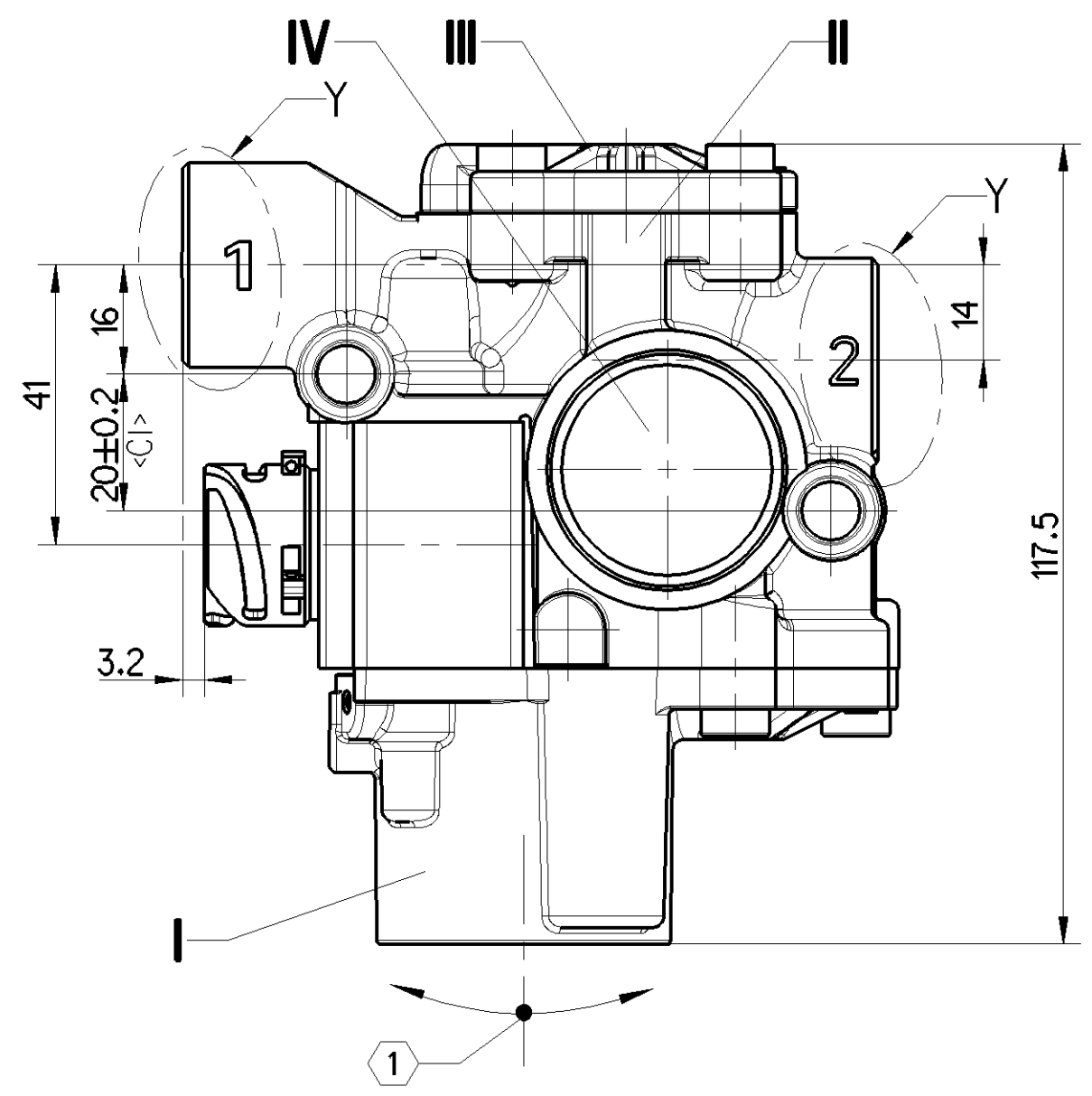


MATERIAL WERKSTOFF	SURFACE PROTECTION OBERFLAECHENSCHUTZ
I Al-casting alloy	Chromating
II Al-casting alloy	Chromating
III Al-casting alloy	Chromating
IV Steel	Zinc chrome coating
V PA6.22 GF27 MINERAL	-
VI Copper - Zinc alloy	Tin coating
VII Steel	Zinc nickel coating

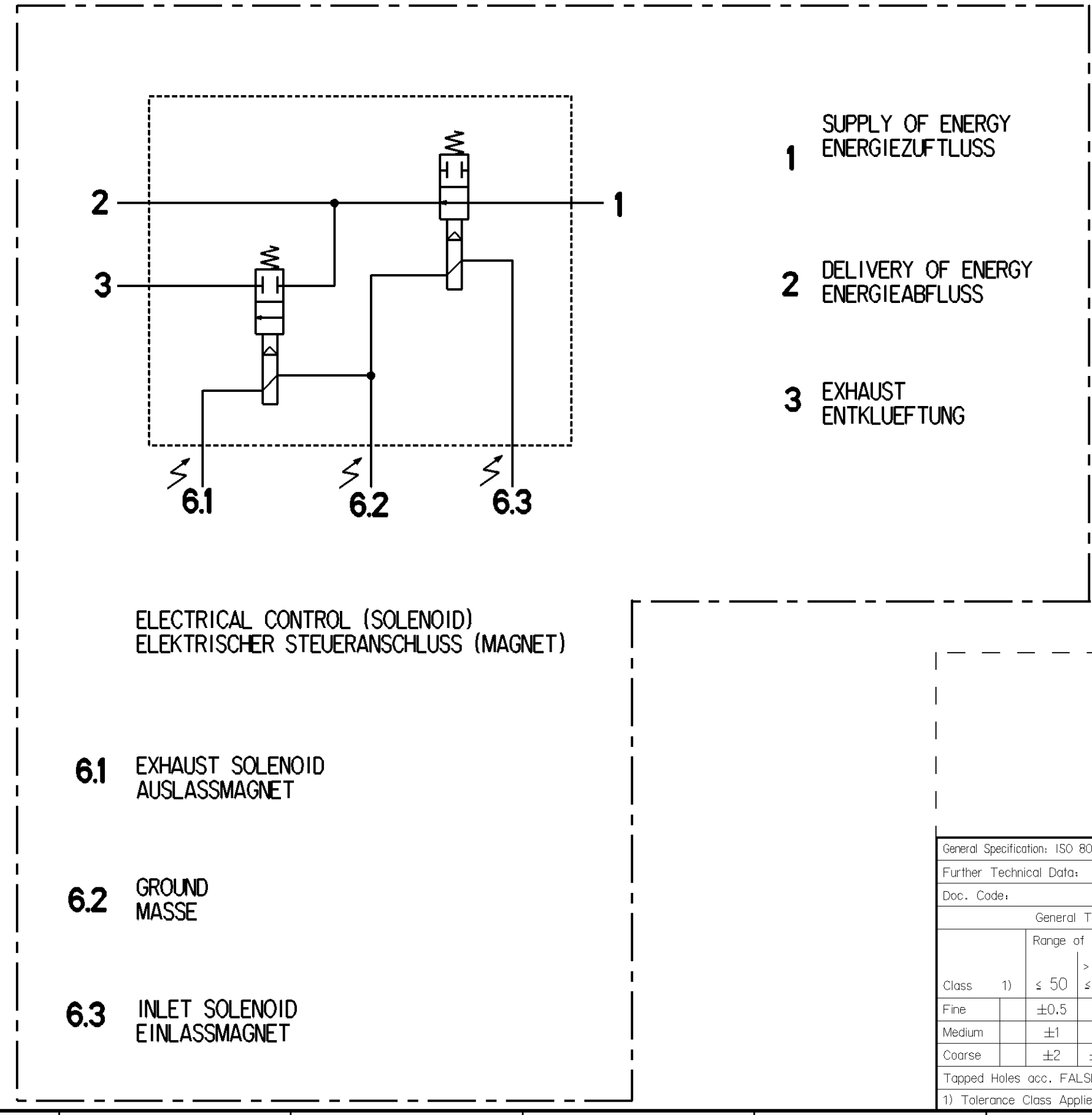
SOCKET GERAETESTECKDOSE	894 590 154 2 (DOC. 653)
ELECTRICAL CONTROL ELEKTRISCHER STEUERANSCHLUSS	DIN 72585-A1-3.1-Sn/K1 <C1>



1	CUSTOMER NO. OR COUNTRY OF ORIGIN KUNDEN-NR. KZ ODER WARENRUSPRUNGSLAND
2	WABCO LOGO WABCO LOGO
3	RESPONSIBLE PRODUCTION (PRI) VERANTWORTUNGSVOLLE PRODUKTION
4	DATE OF MANUFACTURE (WWYY) HERSTELLDATUM (WWJJ)
5	DATA CODING (IF REQUESTED) DATENCODIERUNG (AUF WUNSCH)
6	OPTIONAL BELIEBIG
7	WABCO IDENTIFICATION NUMBER WABCO IDENTIFIKATIONS-NUMMER

Non è permesso copiare o riprodurre questo documento, né utilizzare il contenuto o i marchi commerciali senza permesso scritto dalla WABCO. È vietata espressamente la ristampa o l'uso non autorizzato. Toute réimpression ou utilisation non autorisée sans la permission écrite de la WABCO est formellement interdite. Toute réimpression ou utilisation non autorisée sans la permission écrite de la WABCO est formellement interdite.

WORKING MEDIUM ARBEITSMEDIUM	AIR LUFT
NOMINAL VOLTAGE NENNSPANNUNG	$U_N = 24 \text{ V DC}$
NOMINAL CURRENT NENNSTROM	$I_N = 1.65 \text{ A}$
SERVICE CONDITION BETRIEBSART	DISCONTINUOUS SERVICE ED 20%/ 5 min AUSSETZBETRIEB
TYPE OF PROTECTION SCHUTZART	COMPLETE DEVICE WITH MOUNTED COUPLING KOMPLETTES GERAET MIT MONTIERTER KUPPLUNG
WORKING PRESSURE BETRIEBSDRUCK	$p_e = \text{MAX. } 11 \text{ bar}$
THERMAL RANGE OF APPLICATION THERMISCHER ANWENDUNGSBEREICH	$-40^\circ\text{C} \dots +80^\circ\text{C}$
FOR FURTHER TECHNICAL DATA SEE PRODUCT SPECIFICATION WEITERE TECHNISCHE DATEN SIEHE PRODUKT SPEZIFIKATION	472 195 018 0 (CODE 435)



1	ADMISSIBLE INSTALLATION POSITION ZULAESSIGE EINBAULAGE	$\pm 30^\circ$
2	IDENTIFICATION MARKING AREA SEE DOC. CODE 922 IDENTIFIZIERUNG MARKIERUNGSBEREICH SIEHE DOC. CODE 922	

General Specification: ISO 8015, JED-334-1, Size ISO 14405 LP		Copyright ZF®		
Further Technical Data:		Date: 2023-08-17	Signature: Olaszewski	
Doc. Code: Sheet: To:		Checked: Olaszewski	Drawn: Bialon	
Range of nominal dimensions in mm		Dimensions in mm		
Class	1) ≤ 50	$50 > 180$	$180 \leq 400$	> 400
Fine	± 0.5	± 1	± 1.5	± 2
Medium	± 1	± 2	± 3	± 4
Coarse	± 2	± 3.5	± 5	± 6.5
Tapped Holes acc. FALSE		1) Tolerance Class Applied Crossmarked		
Mass	0.662 kg	Scale	1:1 (2:1)	
Size	A 1 CREO	Material No.	472 195 018 0	
Date of first issue: 2023-07-17		Doc. Code	005 ML 1/1	
Revision		Techn. Resp.	6330_SV	

This document is the property of ZF Friedrichshafen AG. It is not to be distributed outside the company.