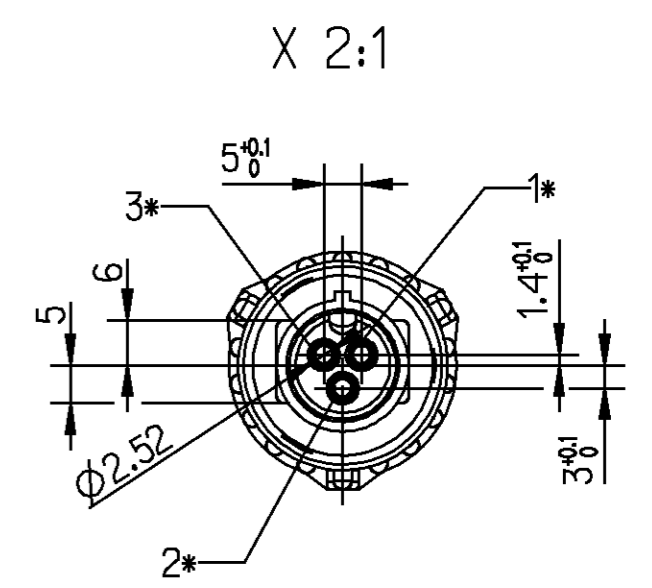
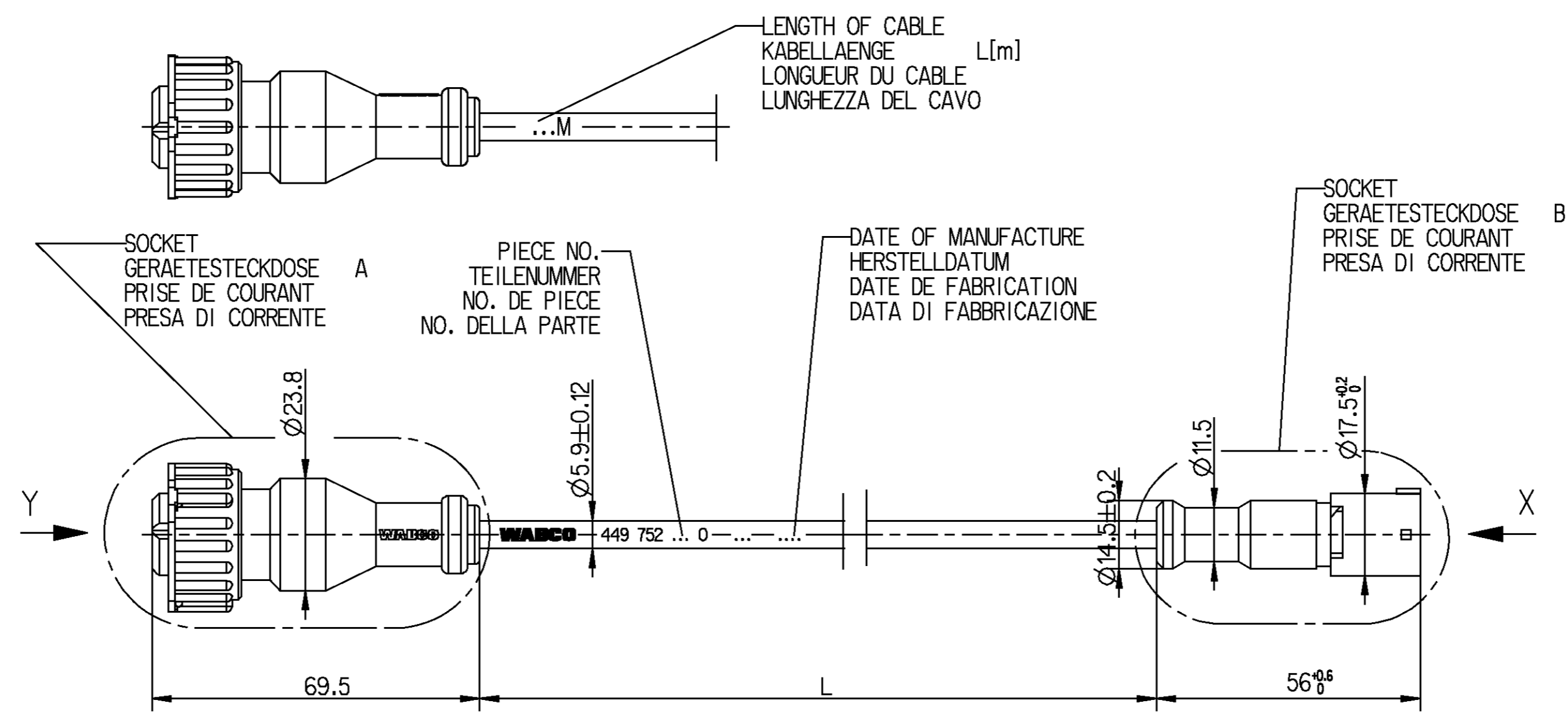
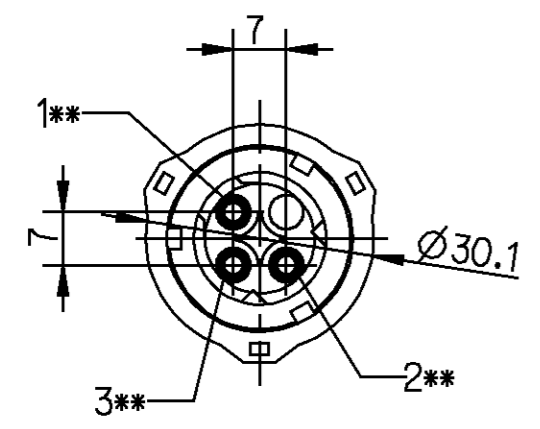


Y 2:1  
 CODE  
 CODIERUNG DIN 72585-B1-3.1-Sn/K1  
 CODE  
 CODICE



3-CORE CABLE PUR  
 LEITUNG 3-ADRIG 3x0.5mm<sup>2</sup>  
 CABLE A 3 CONDUCTEURS  
 CAVO A 3 CONDUTTORI

THERMAL RANGE OF APPLICATION :  
 THERMISCHER ANWENDUNGSBEREICH: -40°C....+80°C  
 GAMME D'APPLICATION THERMIQUE:  
 CAMPO TERMICO D'APPLICAZIONE :

SURFACE PROTECTION :  
 OBERFLAECHENSCHUTZ : \* Ag  
 PROTECTION DE SURFACE: \*\* Sn  
 PROTEZIONE SUPERFICI :

RESISTANT TO : AIR, WATER, MINERAL OIL, PETROL, DIESEL OIL, SALT SPRAY  
 BESTAENDIG GEGEN: LUFT, WASSER, MINERALOEL, BENZIN, DIESEL OEL, SALZSPRUEHNEBEL  
 RESISTANT A : AIR, EAU, HUILE MINERALE, ESSENCE, GASOIL, BROUILLARD SALIN  
 RESISTENTE A : ARIA, AQUA, OLIO MINERALE, BENZINA, GASOLIO, NEBBIA SALINA

DEGREE OF PROTECTION (IN CONNECTION WITH PLUG) :  
 SCHUTZART (IN VERBINDUNG MIT STECKER) : A: IP 6K 7/IP 6K 9K  
 DEGRE DE PROTECTION (DANS CONNECTION AVEC FICHE): B: IP 68 (IEC 529)  
 GRADO DI PROTEZIONE (IN RELAZIONE CON SPINA) :

NON LE FERMISSE CONSERVARE A TITOLI O RIPRODURRE QUESTO DOCUMENTO; NE UTILIZZARE IL CONTENUTO O RE-  
 ABBANDONARE IL DIRITTO DI PROPRIETA' IN TUTTI I PAESI. IL DIRITTO DI PROPRIETA' E' RISERVATO A WABCO S.p.A.  
 BREITEN O MOEDELN.  
 COPIING OF THIS DOCUMENT AND OTHERS AND THE USE OR COMPLICATION OF THE CONTENTS THEREOF,  
 ABANDONING THE RIGHT OF PROPRIETY IN ALL COUNTRIES. ALL RIGHTS ARE RESERVED IN THE EVENT OF THE  
 GRANT OF PATENT OR REGISTRATION OF A UTILITY MODEL OR DESIGN. THIS DOCUMENT IS THE SUBJECT OF COPYRIGHT.

TOUTE COMMUNICATION DE REPRODUCTION DE CE DOCUMENT, TOUTE EXPLOITATION OU COMMUNICATION DE SON CONTE-  
 NU, ABANDONNE LE DROIT DE PROPRIETE' EN TOUS LES PAYS. LE DROIT DE PROPRIETE' EST RESERVE A WABCO S.p.A.  
 UNTERSCHREIBUNG VON REPRODUKTIONEN DIESER UNTERLAGE, VERBREITUNG UND MITTEILUNG IHRES INHALTS NICHT  
 MESSBAR SICH DAS RECHT AN DER VERFUGUNG DER SACHGEGENSTANDE. ALLE RECHTE FÜR DEN FALL DER PATENTIERUNG ODER  
 GEBRAUCHSMUSTER-ENTWURF VORBEHALTEN.

CODE OF LENGTH LAENGCODIERUNG CODE DE LA LONGUEUR CODICE DEL LUNGHEZZA	
PART NO TEILE NR. NO DE PIECE CODICE	449 752 □ □, □ 0
EXAMPLE BEISPIEL EXEMPLE ESEMPIO	L = 2_m 449 752 020 0
MIN/MAX LENGTH MIN/MAX LAENGE MIN/MAX LONGUEUR MIN/MAX LUNGHEZZA	L <sub>min</sub> = 0.1m L <sub>max</sub> = 20m
TOLERANCES TOLERANZEN TOLERANCES TOLERANZA	L < 10m ±0.050m L > 10m ±0.075m

GENERAL SPECIFICATION: JED-334.0	
FURTHER TECHNICAL DATA:	
DOC. CODE:	SHEET: TO
GENERAL TOLERANCES	
RANGE OF NOMINAL DIMENSIONS ( ± mm )	
CLASS	1) ≤ 50 > 50 > 180 > 180 > 400 > 400
FINE	0.5 1.0 1.5 2.0 ±3°
MEDIUM	1.0 2.0 3.0 4.0
COARSE	2.0 3.5 5.0 6.5
TAPPED HOLES ACC. ISO 4039 / JED-152 (A) 062792 1x 97-10-17	
1) TOLERANCE CLASS APPLIED CROSSMARKED DCH-NO. REV. DATE	

Pro/ENGINEER DRAWING COPYRIGHT		<b>WABCO</b>	
DATE	SIGNATURE	CABLE WITH SOCKET KABEL MIT GERAETESTECKDOSE CABLE AVEC PRISE DE COURANT CAVO CON PRESA DI CORRENTE	
DRAWN 30-Apr-97   Weber		DOC. CODE SHEET 653 1/1	
CHECKED 97-07-15   Hein		REPLACEMENT FOR	
EXPERT CODE 7 5 5		FUNCTION CODE SHAPE CODE PRODUCT TYPE	
MASS	SCALE	PRODUCT IDENTIFICATION NO.	
KG	1:1	449 752 000 0	
SIZE	TRI	0 1 X	
A 2	142		

Dwg.: 4497520000-653

Dwg.: 4497520000-A02 A.1