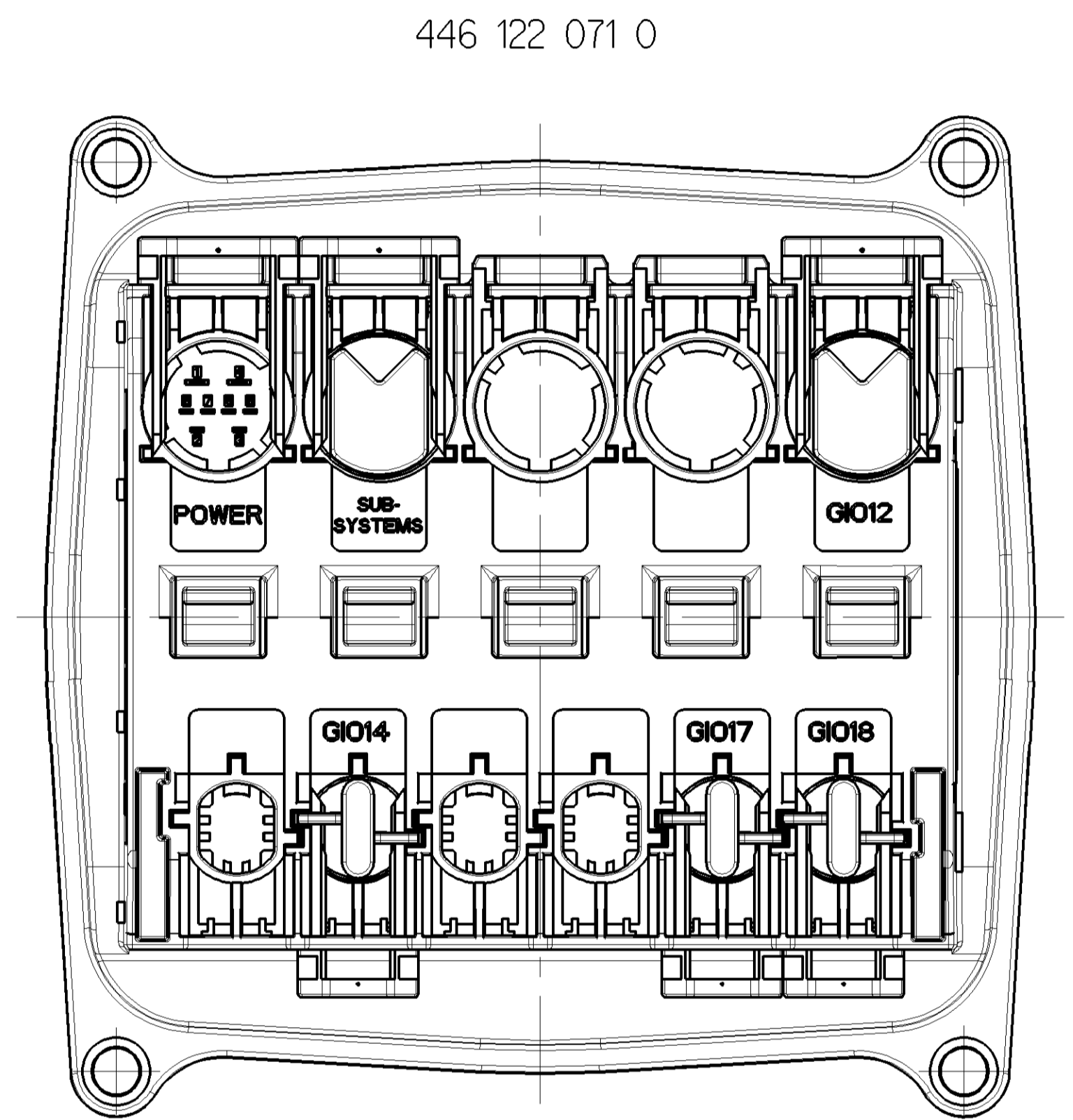
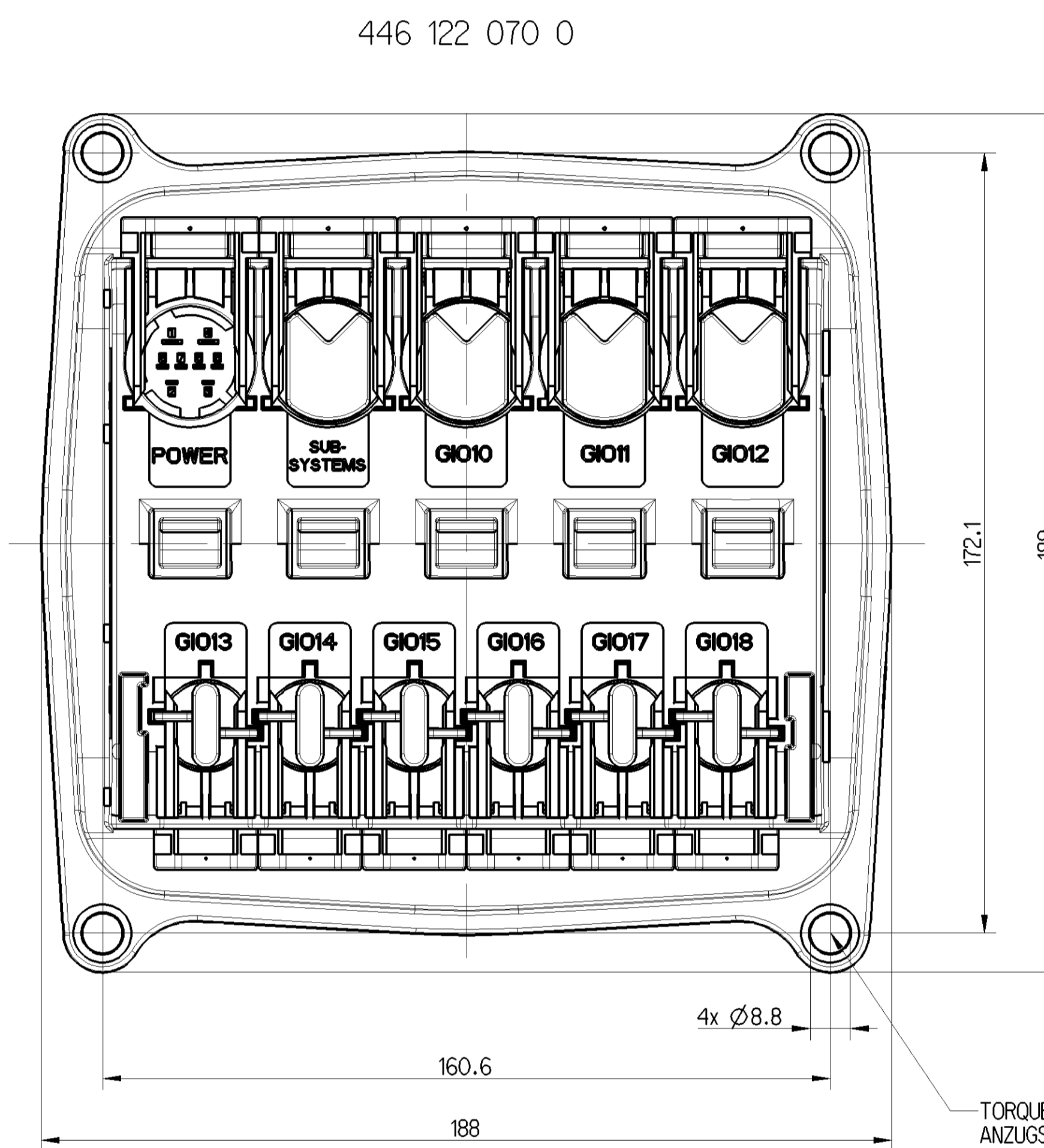
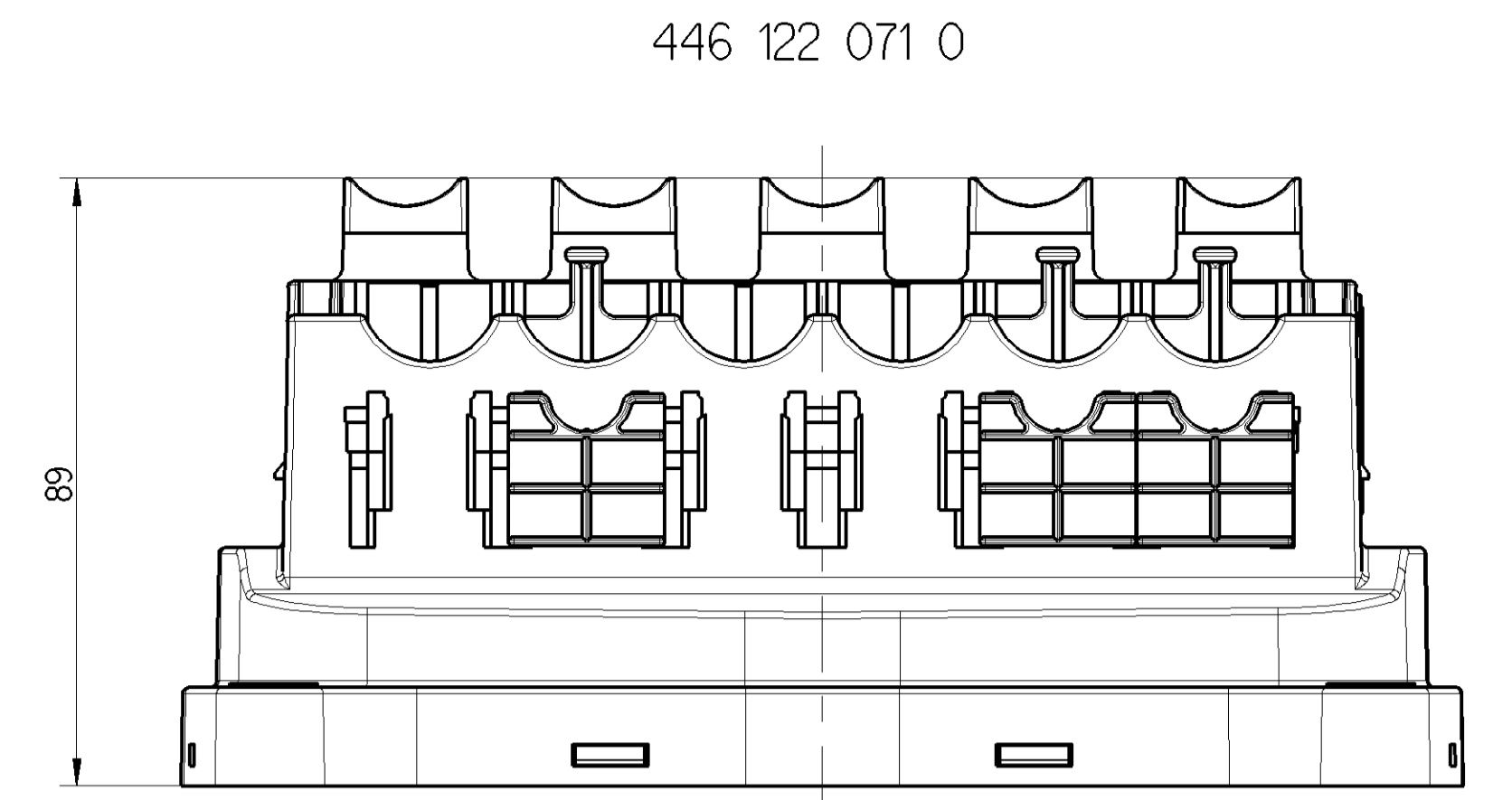
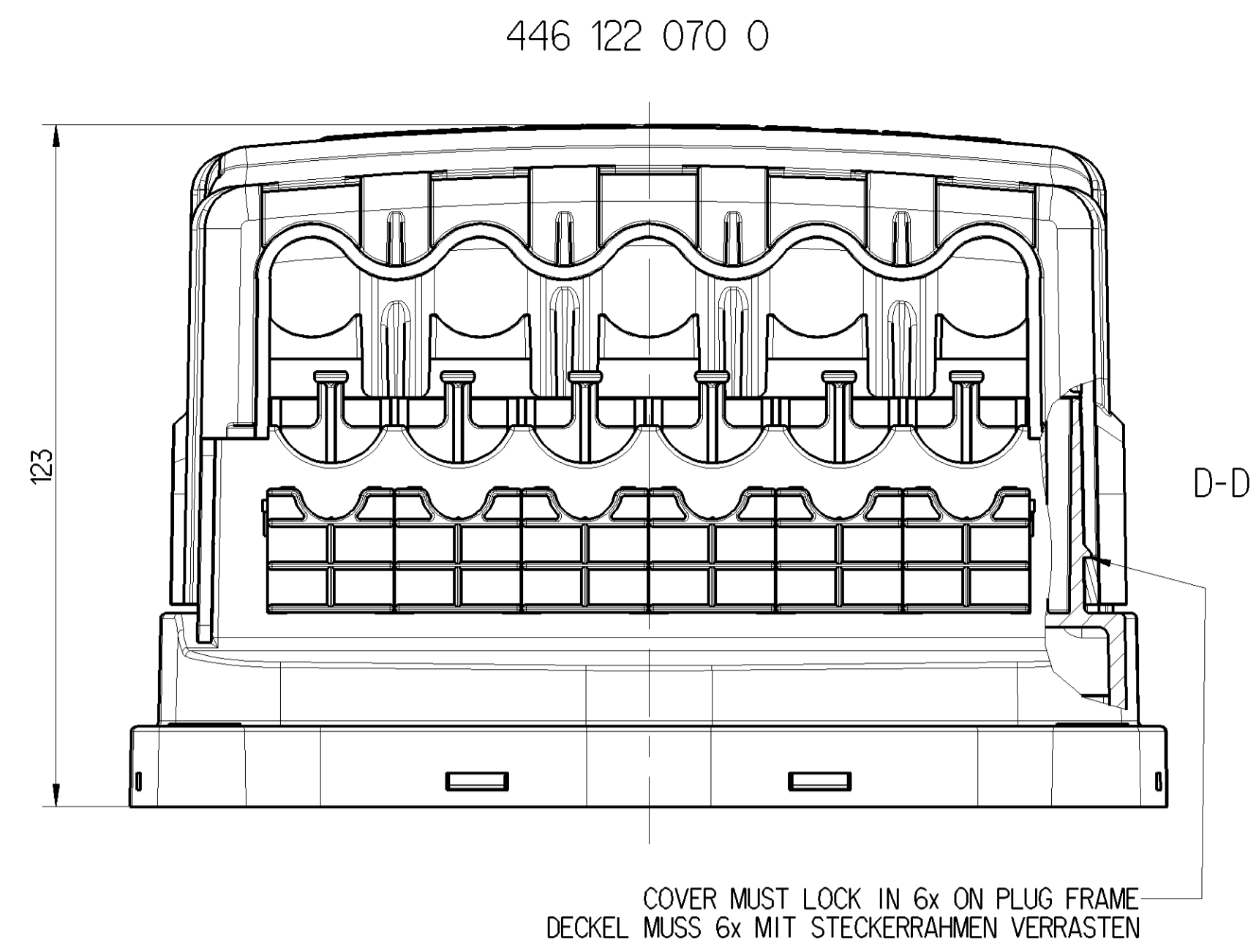
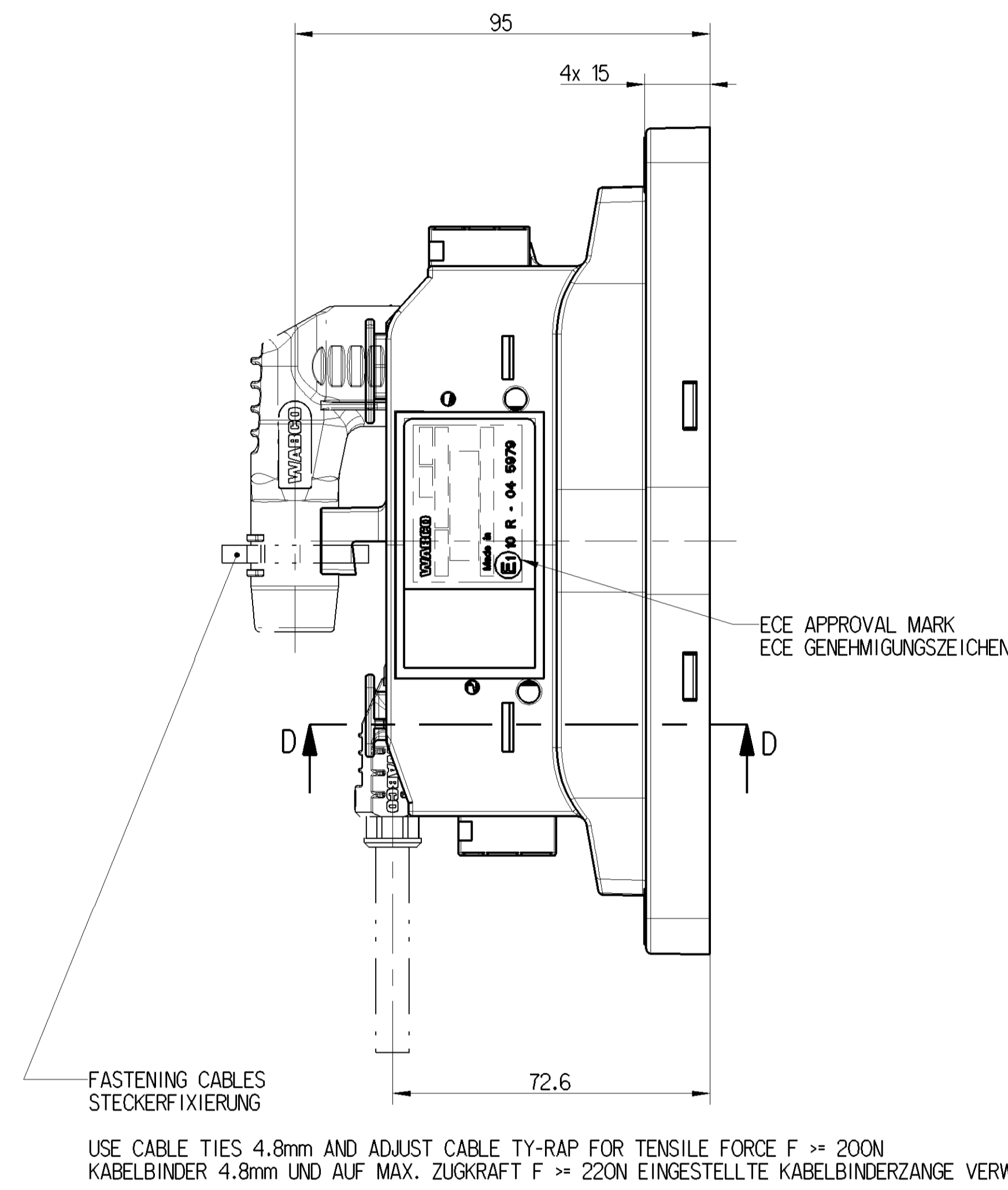
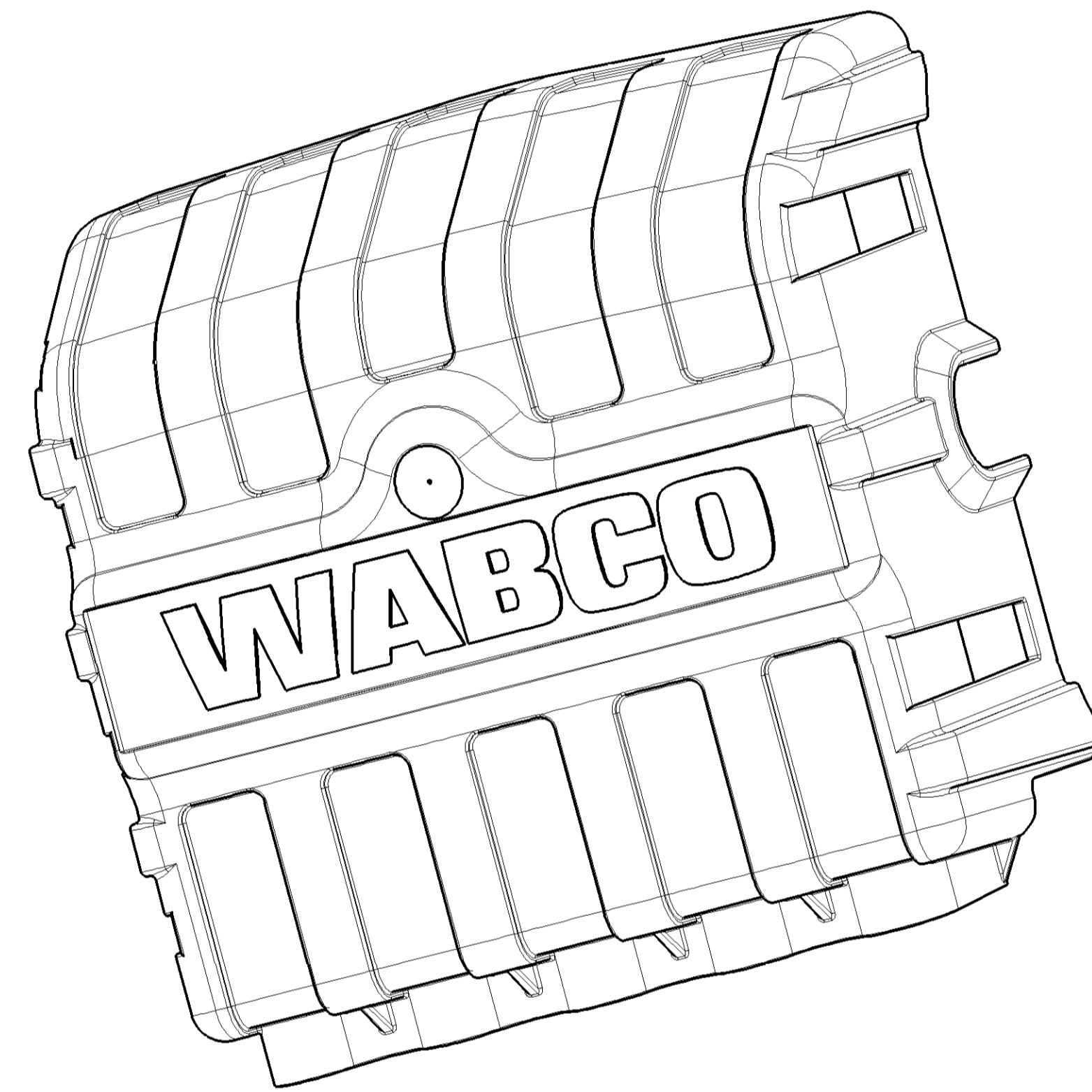


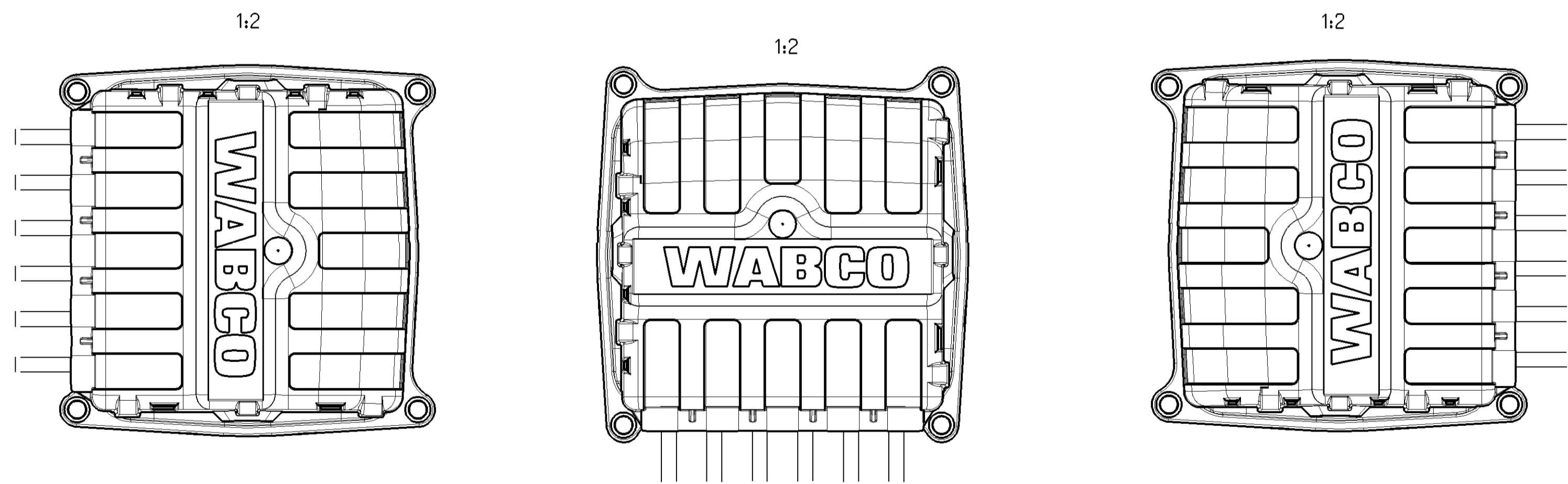
FURTHER TECHNICAL DATA SEE PRODUCT SPECIFICATION: WEITERE TECHNISCHE DATEN SIEHE PRODUKTSPEZIFIKATION:	446 122 079 0, DOC-CODE 035
THERMAL RANGE OF APPLICATION UNDER NORMAL ENVIRONMENTAL CONDITIONS: THERMISCHER ANWENDUNGSBEREICH UNTER NORMALEN UMGEBUNGSBEDINGUNGEN:	-40°C ... +65°C SEE PRODUCT SPECIFICATION SIEHE PRODUKTSPEZIFIKATION
SHORT-TIME RESISTANCE TO HEAT: KURZZEITIGE WÄRMEBESTÄNDIGKEIT:	MAX. +100°C FOR 2h WITHOUT FUNCTION OHNE FUNKTION
VOLTAGE: SPANNUNG:	TERMINAL: ANSCHLUSS: 8V ... 32V
TYPE OF PROTECTION ACC. TO: SCHUTZART NACH:	ISO 20653 IP 6K 9K COMPLETE DEVICE WITH MOUNTED PLUGS KOMPLETTES GERÄT MIT MONTIERTEN STECKERN
EEC APPROVAL MARK: EG-GENEHMIGUNGSZEICHEN:	APPROVAL NUMBER 04 5979 ACCORDING TO ECE REGULATION NO. 10 GENEHMIGUNGSNUMMER 04 5979 NACH ECE RICHTLINIE NR. 10
LAYING OF THE CABLES ACCORDING TO INSTALLATION INSTRUCTION: VERLEGUNG DER ELEKTRISCHEN LEITUNGEN GEMÄSS INSTALLATIONSVORSCHRIFT:	449 000 000 0, DOC-CODE 611

COVER 895 310 005 2 WILL BE SUPPLIED UNASSEMBLED ONLY FOR 446 122 070 0  
 DECKEL 895 310 005 2 WIRD NICHT MONTIERT MITGELIEFERT NUR FÜR 446 122 070 0

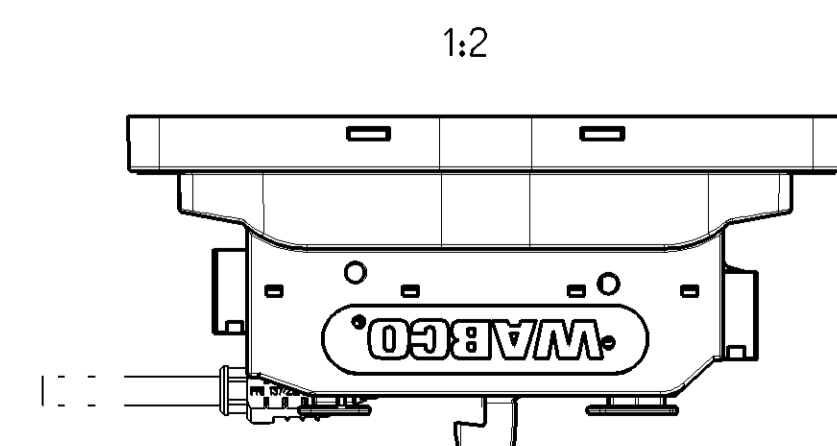
COVER 895 310 005 2 CAN BE ORDERED SEPARATELY IF DEVICE 446 122 071 0  
 IS USED UNDER TOUGH ENVIRONMENTAL CONDITIONS  
 DECKEL 895 310 005 2 KANN EINZELN BESTELLT WERDEN WENN GERÄT 446 122 071 0  
 UNTER RAUEN UMGEBUNGSBEDINGUNGEN GENUTZT WIRD



PERMISSIBLE INSTALLATION POSITIONS FOR 446 122 070 0 AND 446 122 071 0:  
 ZULAESSIGE EINBAULAGEN FÜR 446 122 070 0 UND 446 122 071 0:



ADDITIONAL PERMISSIBLE INSTALLATION POSITION ONLY FOR 446 122 071 0:  
 ZUSÄTZLICH ZULAESSIGE EINBAULAGE NUR FÜR 446 122 071 0:

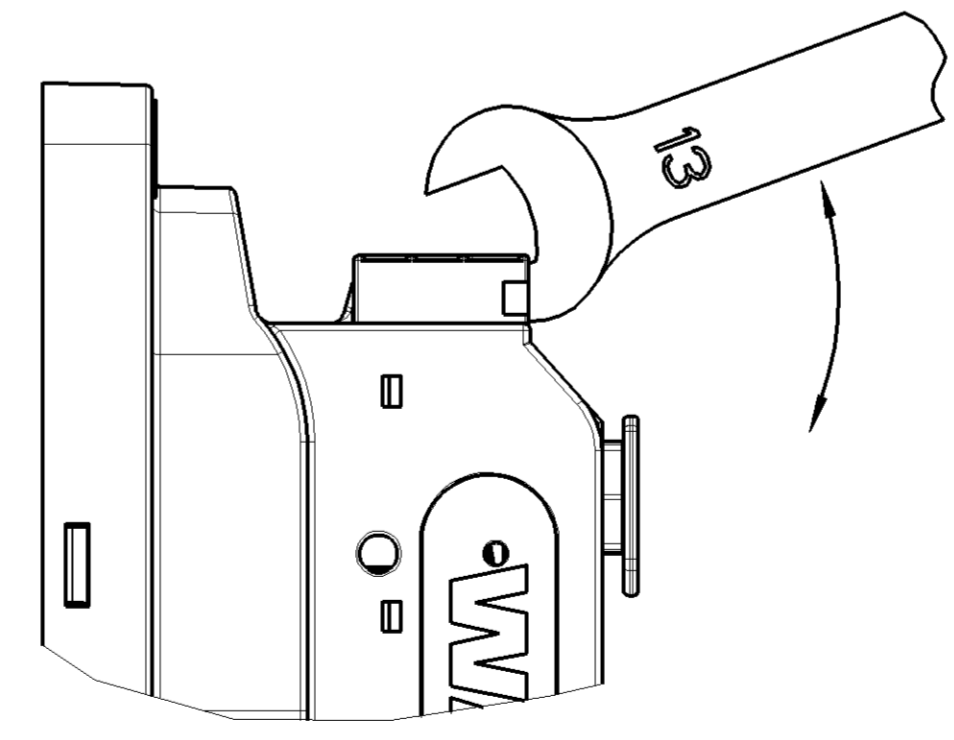
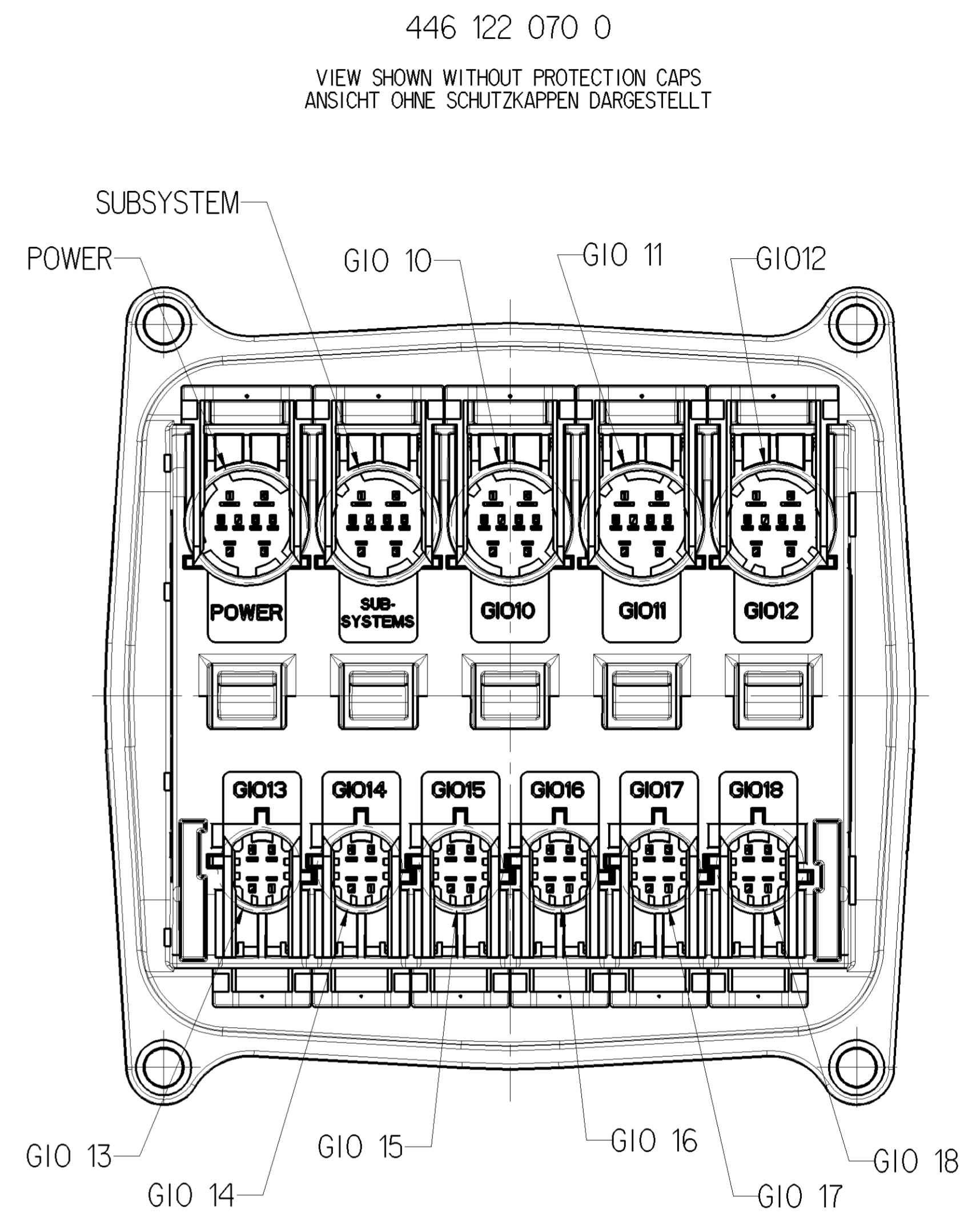


PRODUCT NUMBER PRODUKTNUMMER	NAME BENENNUNG	COVER DECKEL	WEIGHT [kg] GEWICHT [kg]
446 122 070 0	ECU - ELECTRONIC EXTENSION MODULE	895 310 005 2	1.172
446 122 071 0	ECU - TAILGUARD	-----	0.849

Further Technical Data		Date: 2016-01-21		Sheet: 1 of 1		System: Wiring		ECU - Electronic Extension Module	
Doc. Code: 446 122 070 0		2016-01-21		Checked: Slender		von der Beeke		ECU - Elektronisches Erweiterungsmodul	
Class: 1		50		180		400		Date of 1st issue: 2016-01-21	
Fine: 0.5		1.0		1.5		2.0		Doc. Code: 053 DE	
Medium: 1.0		2.0		3.0		4.0		Language: 1/3	
Coarse: 2.0		3.5		5.0		6.5		Prepared by: 6171	
Tapped Holes acc. JED-102		1:1		446 122 079 0		Revision: 053		446 122 070 0, Doc. 005	
A 0 CREO		1:1		446 122 079 0		6171		1:1	

446 122 070 0 PREMIUM				
CONNECTOR STECKER	PIN KONTAKT	ENCODING KODIERUNG	CONNECTOR PIN ASSIGNMENT STECKERBELEGUNG	PROTECTION CAP SCHUTZKAPPE
	1-8	E	POWER IN (TEBS KL 30)	
			CAN1 H (5V)	
			CAN1 L (5V)	
			GND	
			TEBS KL 15 IN	
			CLOCK 1 IN	
			DATA 1 IN	
			IG (H2) IN	
	1-8	C	POWER OUT (KL 30-X2)	X
			CAN2 H (5V)	
			CAN2 L (5V)	
			GND	
			TEBS KL 15 OUT SA 6-2	
			CLOCK 1 OUT	
			DATA 1 OUT	
			IG (H2) OUT	
	1-8	C/F	GND LIGHT	X
			POSITION LAMP LEFT OUT	
			POSITION LAMP RIGHT OUT	
			GND LIGHT	
			REVERSE LIGHT IN	
			CAN3 H (ISO 12098 24V)	
			CAN3 L (ISO 12098 24V)	
			GND LIGHT	
	1-8	C/B	POSITION LAMP LEFT IN	X
			POSITION LAMP LEFT OUT	
			POSITION LAMP RIGHT OUT	
			POSITION LAMP RIGHT IN	

446 122 070 0 PREMIUM				
CONNECTOR STECKER	PIN KONTAKT	ENCODING KODIERUNG	CONNECTOR PIN ASSIGNMENT STECKERBELEGUNG	PROTECTION CAP SCHUTZKAPPE
	1-4	B 1-6	SA 2-1	X
			GND	
			ANALOG IN 2	
			LEVELSENSOR IN 2 / SA 2-2	
	1-4	B 1-6	SA 6-1	X
			GND	
			ANALOG IN 1	
			LEVEL SENSOR IN 1	
	1-4	B 1-6	SA 1-1	X
			GND	
			SA 5-1	
			SA 1-2	
	1-4	B 1-6	SA 5-2	X
			GND	
			LIN 2	
			SA 4-1 (9V/12V)	
	1-4	B 1-6	TCE US ECHO 1	X
			GND	
			LIN 1 TCE US SEND	
			SA 3-2 (9V/12V)	
	1-4	B 1-6	TCE US ECHO 2	X
			GND	
			LIN 1 TCE US SEND	
			SA 3-1 (9V/12V)	

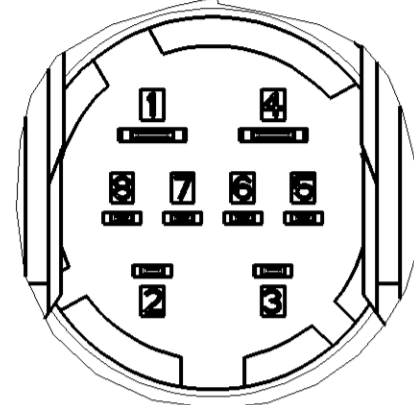
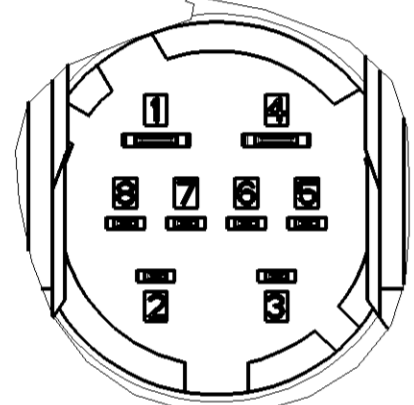
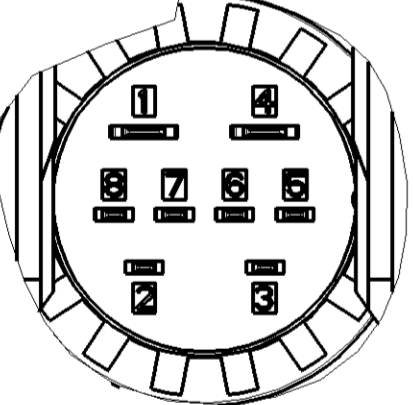


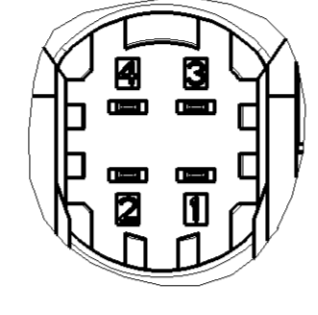
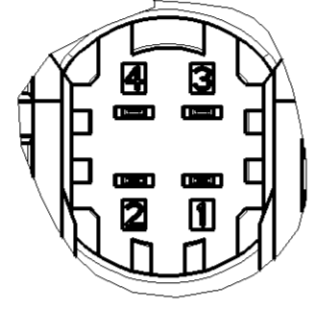
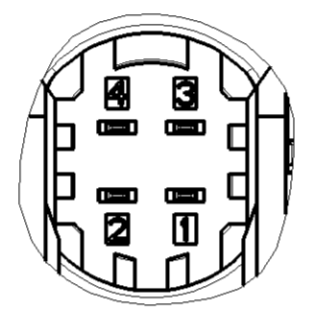
MOUNTING OF CONNECTORS AND PROTECTION CAPS:  
UNLOCK OF THE SLIDES ONLY BY USE OF AN OPEN END SPANNER 13mm

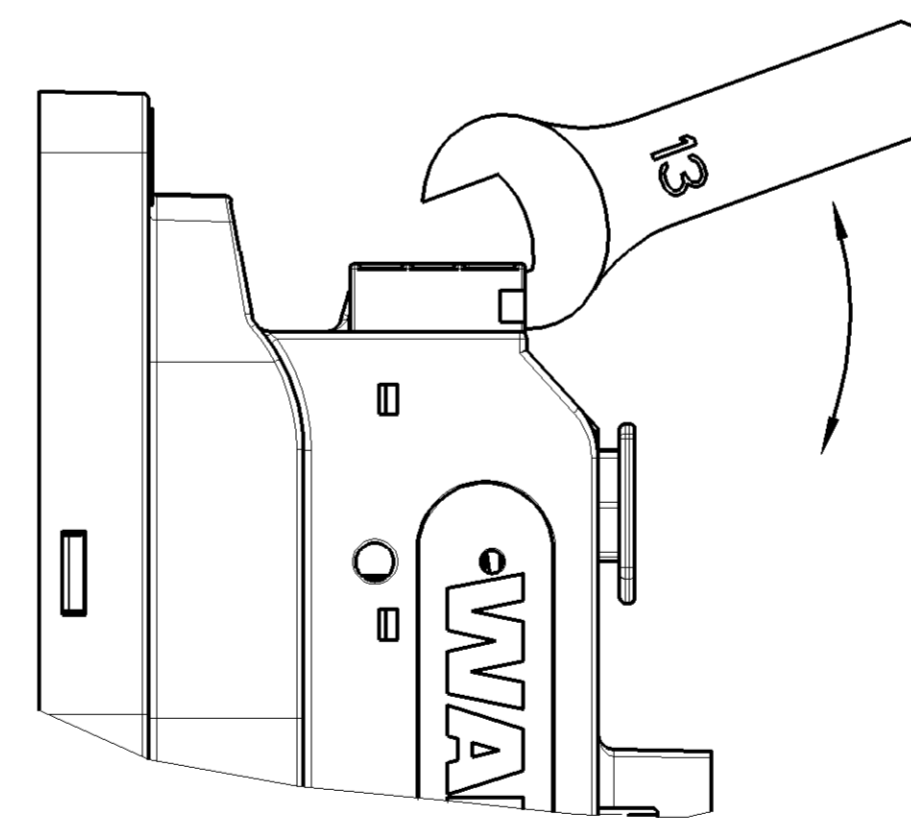
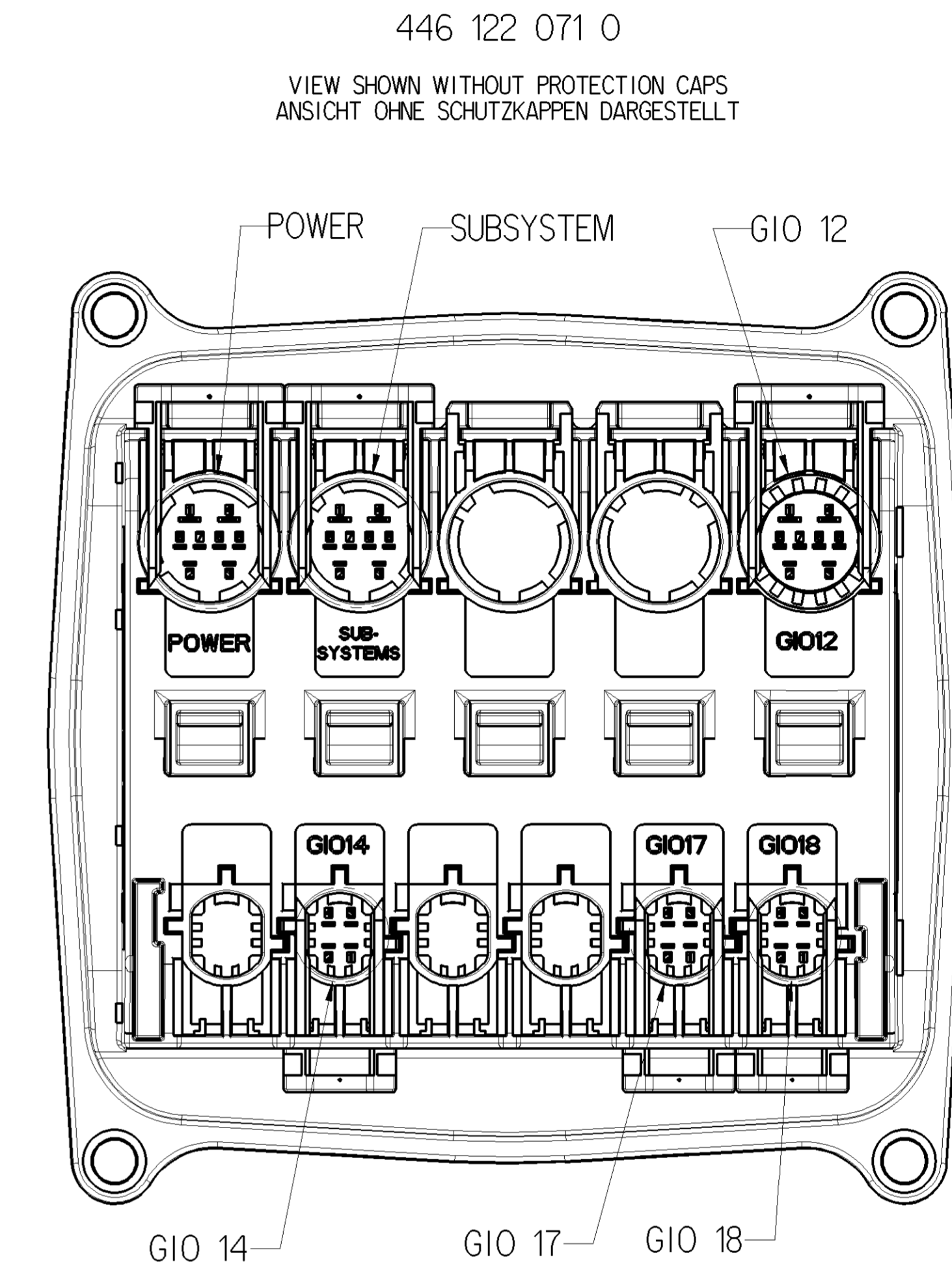
MONTAGE DER STECKER UND SCHUTZKAPPEN:  
ENTRÄSTEN DER SCHIEBER NUR MIT 13mm MAULSCHLÜESSEL

General Specification: JED-334-1, Size ISO 14405 LP		Copyright WABCO®	
Further Technical Data:		Date: 2016-01-21	Signature: Nering
Doc. Code:	Sheet: To	Checked: 2016-01-21	Slender
General Tolerances JED-261		Expert: von der Beeke	
Range of Nominal Dimensions ( ± mm )			
Class	1)	≤ 50	> 180
Fine		≤ 180	≤ 400
Medium		2.0	3.0
Coarse	X	3.5	5.0
Tapped Holes acc. JED-152		1) Tolerance Class Applied Crossmarked	
Mass	Scale	Material No.	Date of first issue: 2016-01-21
kg	1:1	446 122 079 0	053 DE 2/3
Size	CAD System	ECN-No.	Revision
A 1	CREO	-	6171
Replacement for		446 122 070 0, doc 005	

Tutti i diritti sono riservati. È vietata espressamente la ristampa o l'uso non autorizzato senza permesso scritto dalla WABCO. È vietata espressamente la ristampa o l'uso non autorizzato senza permesso scritto dalla WABCO. È vietata espressamente la ristampa o l'uso non autorizzato senza permesso scritto dalla WABCO. È vietata espressamente la ristampa o l'uso non autorizzato senza permesso scritto dalla WABCO.

446 122 071 0 BASIC				
CONNECTOR STECKER	PIN KONTAKT	ENCODING KODIERUNG	CONNECTOR PIN ASSIGNMENT STECKERBELEGUNG	PROTECTION CAP SCHUTZKAPPE
	1	E	POWER IN (TEBS KL 30)	
	2		CAN1 H (5V)	
	3		CAN1 L (5V)	
	4		GND	
	5		TEBS KL 15 IN	
	6		CLOCK 1 IN	
	7		DATA 1 IN	
	8		IG (H2) IN	
	1	C	POWER OUT (KL 30-X2)	X
	2		CAN2 H (5V)	
	3		CAN2 L (5V)	
	4		GND	
	5		TEBS KL 15 OUT SA 6-2	
	6		CLOCK 1 OUT	
	7		DATA 1 OUT	
	8		IG (H2) OUT	
	1	C/B	REVERSE LIGHT IN	X
	2			
	3			
	4		GND LIGHT	
	5		POSITION LAMP LEFT IN	
	6		POSITION LAMP LEFT OUT	
	7		POSITION LAMP RIGHT OUT	
	8		POSITION LAMP RIGHT IN	

446 122 071 0 BASIC				
CONNECTOR STECKER	PIN KONTAKT	ENCODING KODIERUNG	CONNECTOR PIN ASSIGNMENT STECKERBELEGUNG	PROTECTION CAP SCHUTZKAPPE
	1	B 1-6	SA 6-1	X
	2		GND	
	3		ANALOG IN 1	
	4			
	1	B 1-6	TCE US ECHO 1	X
	2		GND	
	3		LIN 1 TCE US SEND	
	4		SA 3-2 (9V/12V)	
	1	B 1-6	TCE US ECHO 2	X
	2		GND	
	3		LIN 1 TCE US SEND	
	4		SA 3-1 (9V/12V)	



MOUNTING OF CONNECTORS AND PROTECTION CAPS:  
UNLOCK OF THE SLIDES ONLY BY USE OF AN OPEN END SPANNER 13mm

MONTAGE DER STECKER UND SCHUTZKAPPEN:  
ENTRÄSTEN DER SCHIEBER NUR MIT 13mm MAULSCHLUESSEL

General Specification: JED-334-1, Size ISO 14405 LP		Copyright WABCO®	
Further Technical Data:		Date	Signature
Doc. Code:	Sheet: To	2016-01-21	Nering
General Tolerances JED-261		Checked	Slender
Range of Nominal Dimensions ( ± mm)		Expert	
Class	1) ≤ 50 > 50 > 180 > 400	von der Beeke	
Fine	0,5 1,0 1,5 2,0	Mass	Scale
Medium	1,0 2,0 3,0 4,0	kg	1:1
Coarse	2,0 3,5 5,0 6,5	Size	CAD System
Tapped Holes acc.		Material No.	
1) Tolerance Class Applied Crossmarked		446 122 079 0	
		Date of first issue:	2016-01-21
		Doc. Code	053
		Language	DE
		Sheet	3/3
		ECU - Electronic Extension Module ECU - Elektronisches Erweiterungsmodul	
		ECN-No.	6171
		Revision	-
		Techn. Resp.	446 122 070 0, doc 005