

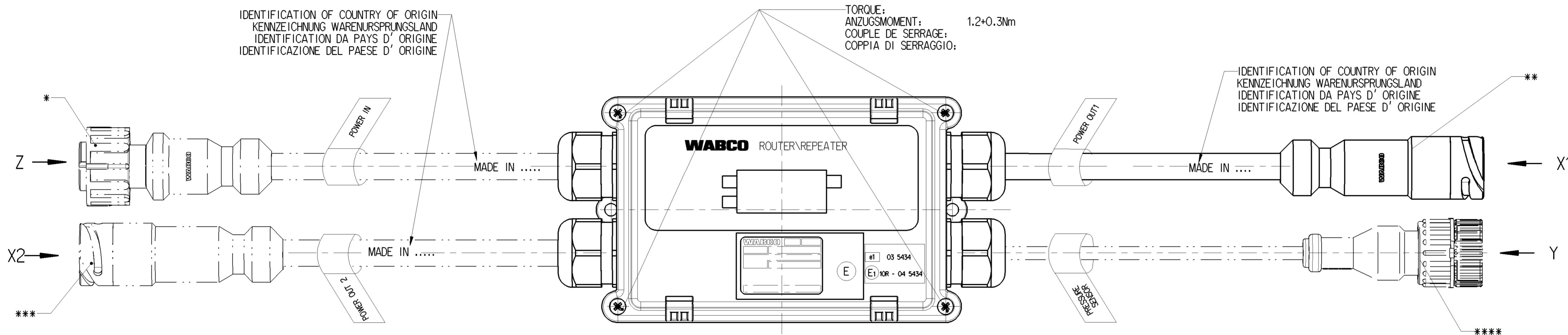
IMPORTANT REMARK FOR NUMBER ASSIGNMENT OF VARIANTS BECAUSE OF DIAGNOSTIC REQUIREMENTS:
 EVEN PART NUMBERS: CAN-ROUTER
 ODD PART NUMBERS: CAN-REPEATER

WICHTIGER HINWEIS ZUR NUMMERNVERGABE DER VARIANTEN AUF GRUND VON DIAGNOSE ANFORDERUNGEN:
 GERADE GERÄTENUMMERN: CAN-ROUTER
 UNGERADE GERÄTENUMMERN: CAN-REPEATER

NOTE IMPORTANTE SUR LE NUMÉRO DU CONTRAT DE VARIATIONS SELON LES EXIGENCES DE DIAGNOSTIC:
 NUMEROS PAIR: CAN-ROUTER
 NUMEROS IMPAIR: CAN-REPEATER

NOTA IMPORTANTE SUL NUMERO CONTRATTO DI VARIAZIONI BASATE SU ESIGENZE DIAGNOSTICHE:
 NUMERI PARI: CAN-ROUTER
 NUMERI DISPARI: CAN-REPEATER

LABELING INFORMATION / BESCHRIFTUNGSVORSCHRIFT INFORMATION D'ECRITURE / INFORMAZIONE DI SCRITTURA										
NAME BENENNUNG DENOMINAZIONE	PRODUCT NUMBER PRODUKTNUMMER NUMERO DE PRODUIT NUMERO PRODOTTO	BAR CODE BARCODE CODE BARRE CODICE A BARRE	DATE OF MANUFACTURE HERSTELLDATUM DATE DE FABRICATION DATA DI FABBRICAZIONE	HOUSING GEHÄUSE CORPS CORPO	PLUG / STECKER CONNECTEUR / SPINA	PLUG / STECKER CONNECTEUR / SPINA	PLUG / STECKER CONNECTEUR / SPINA	PLUG / STECKER CONNECTEUR / SPINA	PLUG PRESSURE SENSOR STECKER DRUCKSENSOR CONNECTEUR CAPTEUR DE PRESSION SPINA SENSORE DI PRESSIONE	WEIGHT GEWICHT POIDS PESO
ROUTER CLASSIC	446 122 050 0	325.0			FEMALE	MALE	MALE	--		0.825 kg
REPEATER CLASSIC	446 122 051 0	325.1			FEMALE	MALE	--	FEMALE		0.870 kg
ROUTER	446 122 052 0	325.2			MALE	MALE	MALE	--		0.823 kg
REPEATER	446 122 053 0	325.3			MALE	MALE	--	FEMALE		1.052 kg
ROUTER	446 122 054 0	325.4			MALE	MALE	MALE	FEMALE		0.885 kg
ROUTER CLASSIC	446 122 056 0	325.6			FEMALE	MALE	MALE	FEMALE		0.884 kg



VOLTAGE RANGE:
 SPANNUNGSBEREICH: 9 - 32V (E)
 GAMME DE TENSION:
 CAMPO DI TENSIONE:

OPERATING TEMPERATURE:
 BETRIEBSTEMPERATUR: -40°C...+65°C
 TEMPERATURE D'UTILISATION:
 TEMPERATURA D'ESERCIZIO:

RESISTANCE TO: AIR, WATER, MINERAL OIL, PETROL, DIESEL OIL, SALTSpray
 BESTÄNDIG GEGEN: LUFT, WASSER, MINERALÖL, BENZIN, DIESEL ÖL, SALZSPRÜHNEBEL
 RESISTANT A: AIR, EAU, HUILE, MINÉRALE, ESSENCE, GASOIL, BROUILLARD SALIN
 RESISTENTE A: ARIA, AQUA, OLIO MINERALE, BENZINA, GASOLIO, NEBBIA SALINA

DEGREE OF PROTECTION (IN CONNECTION WITH PLUG): (E)
 SCHUTZART (IN VERBINDUNG MIT STECKER): B: IP 6K 7 / IP 6K 9K
 DEGRE DE PROTECTION (DANS CONNECTION AVEC FIFICHE):
 GRADO DI PROTEZIONE (IN RELAZIONE CON SPINA):

7-CORE CABLE: PUR
 LEITUNG 7-ADRIG: 2x 1.0 mm²
 CABLE A 7 CONDUCTEURS: 3x 1.5 mm²
 CAVO A 7 CONDUTTORI: 2 x4.0 mm²

3-CORE CABLE: PUR
 LEITUNG 3-ADRIG: 3x 1.0 mm² (E)
 CABLE A 3 CONDUCTEURS:
 CAVO A 3 CONDUTTORI:

SHORT TERM RESISTANCE TO HEAT:
 KURZZEITIGE WÄRMEBESTÄNDIGKEIT: MAX. 85°C - 1h
 RESISTANCE THERMIQUE TEMPORAIRE:
 RESISTANZA TERMICA PER BREVE PERIODO:

STORAGE TEMPERATURE:
 LAGERTEMPERATUR: -20°C ... +50°C - 2 YEARS
 TEMPERATURE DE STOCKAGE: +5°C ... +35°C - 15 YEARS
 TEMPERATURA DI AMMGAZZINAMENTO:

FURTHER TECHNICAL DATA SEE PRODUCT SPECIFICATION:
 WEITERE TECHNISCHE DATEN SIEHE PRODUKTSPEZIFIKATION: 446 122 059 0, DOC-CODE 035
 POUR AUTRES DONNES TECHNIQUE VOIR SPECIFICATION DU PRODUIT:
 PER ULTERIORI DATI TECNICI VEDERE SPECIFICA DI PRODOTTO:

VIEW ANSICHT VUE VISTA	DESIGNATION BEZEICHNUNG DESIGNATION DESIGNAZIONE	CONNECTOR STECKER CONNECTEUR CONNETTORE	PIN KONTAKT LANGUETTE SPINA PIATTA	NAME NAME NOM NOME
Z	POWER IN		1	CAN-L
			2	CAN-H
			3	WALA
			4	GND(KL15)
			5	GND
			6	KL15
			7	KL30
X1	POWER OUT1		1	CAN-L
			2	CAN-H
			3	WALA
			4	GND(KL15)
			5	GND
			6	KL15
			7	KL30
X2	POWER OUT2		1	CAN-L
			2	CAN-H
			3	WALA
			4	GND(KL15)
			5	GND
			6	KL15
			7	KL30
Y	PRESSURE SENSOR		1	SENSOR SUPPLY
			2	GND
			3	SENSOR IN

CONNECTING CABLE, NOT SUPPLIED:
 ANSCHLUSSKABEL, NICHT IM LIEFERUMFANG:
 CÂBLE DE CONNEXION, NON FORNI:
 CAVO DI CONNESSIONE, NON SI FORNISCONO:

	ROUTER				REPEATER		MAX. PERMISSIBLE OVERALL LENGTH MAX. ZULÄSSIGE GESAMTLÄNGE LONGUEUR TOTALE ADMISSIBLE MAXI. LUNGHEZZA TOTALE ADMISSIBILE MASS.
	446 122 050 0	446 122 052 0	446 122 054 0	446 122 056 0	446 122 051 0	446 122 053 0	
POWER IN *	449 133 000 0 449 233 000 0	449 135 000 0 449 231 000 0	449 135 000 0 449 231 000 0	449 133 000 0 449 233 000 0	449 133 000 0 449 233 000 0	449 135 000 0 449 231 000 0	< 18 m
POWER OUT1 **	449 347 000 0	449 347 000 0	449 347 000 0	449 347 000 0	449 347 000 0	449 347 000 0	< 80 m
POWER OUT2 ***	449 135 000 0 449 231 000 0	449 135 000 0 449 231 000 0	449 135 000 0 449 231 000 0	449 135 000 0 449 231 000 0			< 15 m
PRESSURE SENSOR ****			449 425 000 0	449 425 000 0	449 425 000 0	449 425 000 0	

WABCO OFFERS NO GUARANTEE IF CABLES OF OTHER MANUFACTURES ARE CONNECTED
 WABCO UEBERNIMMT KEINE GARANTIE, WENN KABEL ANDERER HERSTELLER ANGESCHLOSSEN WERDEN
 WABCO N'OFFRE AUCUNE GARANTIE, SI LES CABLES D'AUTRES FABRICANTS SONT RACCORDES
 WABCO NON GARANTISCE, SE I CAVI DI ALTRI PRODUTTORI SONO COLLEGATI

General Specification: JED-334-1, Size ISO 14405 LP

Copyright WABCO®

Doc. Code: _____ Sheets: _____ To: _____

General Tolerances JED-261

Range of Nominal Dimensions (± mm)

Class	1)	≤ 50	≤ 180	≤ 400	> 400	Δ
Fine	X	0.5	1.0	1.5	2.0	±3°
Medium		1.0	2.0	3.0	4.0	
Coarse		2.0	3.5	5.0	6.5	

Mass: _____ Scale: 1:1

Size: _____ CAD System: _____

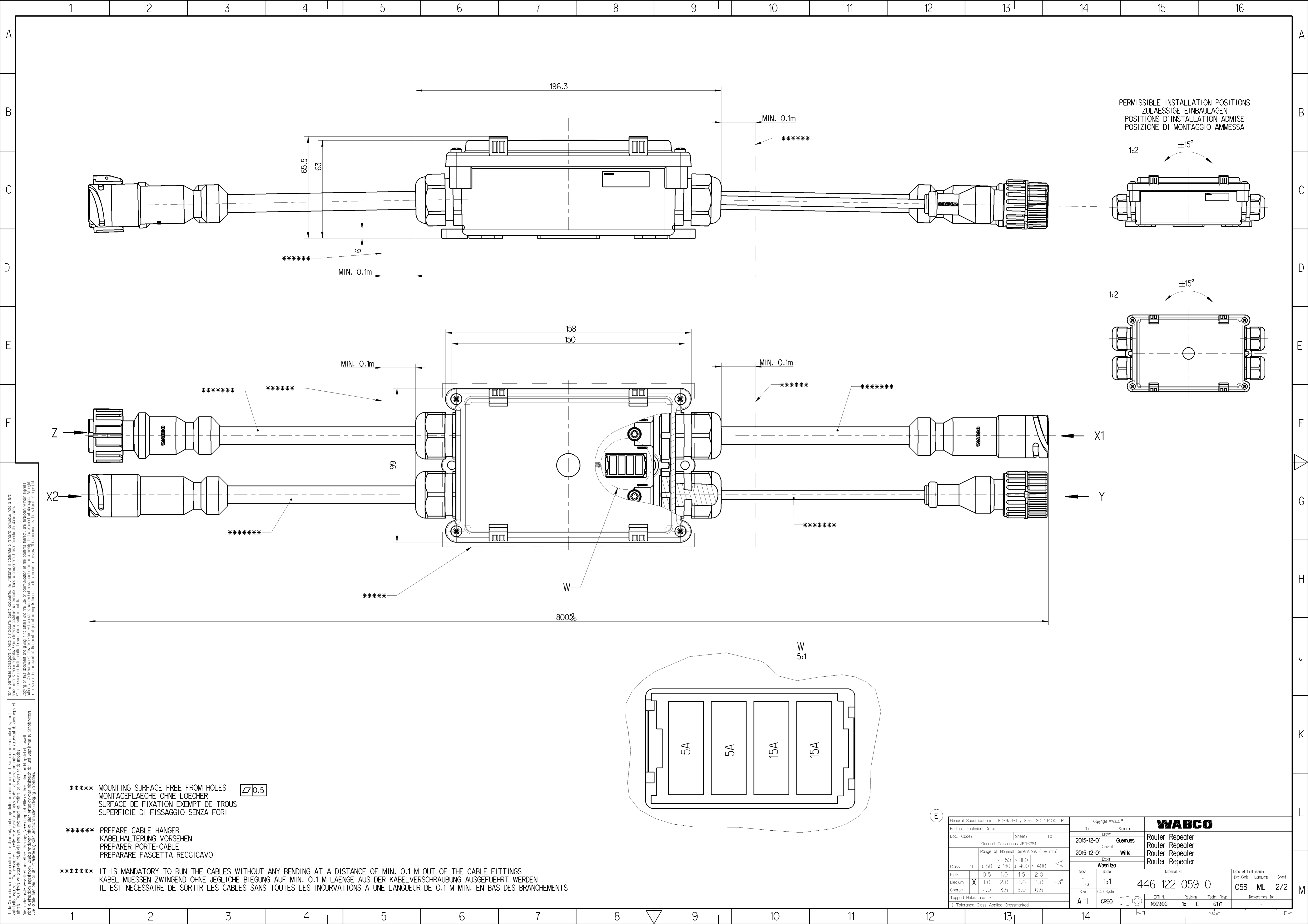
Material No.: 446 122 059 0

Date of first issue: 053 ML 1/2

Revision: _____ Techn. Resp.: _____ Replacement for: _____

ECN-No.: 166966 6x E 6171

1) Tolerance Class Applied Crossmarked



Non e' permesso copiare o riprodurre questo documento, ne utilizzare o copiarlo in modo contrario a quello autorizzato. E' vietata espressamente la ristampa o l'uso non autorizzato. Tutti i diritti sono riservati. In caso di ristampa o uso non autorizzato, l'editore si riserva il diritto di agire in giudizio.

- ***** MOUNTING SURFACE FREE FROM HOLES
MONTAGEFLAECHE OHNE LOECHER
SURFACE DE FIXATION EXEMPT DE TROUS
SUPERFICIE DI FISSAGGIO SENZA FORI
- ***** PREPARE CABLE HANGER
KABELHALTERUNG VORSEHEN
PREPARER PORTE-CABLE
PREPARARE FASCETTA REGGICAVO
- ***** IT IS MANDATORY TO RUN THE CABLES WITHOUT ANY BENDING AT A DISTANCE OF MIN. 0.1 M OUT OF THE CABLE FITTINGS
KABEL MUESSEN ZWINGEND OHNE JEGLICHE BIEGUNG AUF MIN. 0.1 M LAENGE AUS DER KABELVERSCHRAUBUNG AUSGEFUEHRT WERDEN
IL EST NECESSAIRE DE SORTIR LES CABLES SANS TOUTES LES INCURVATIONS A UNE LANGUEUR DE 0.1 M MIN. EN BAS DES BRANCHEMENTS

General Specification: JED-334-1, Size ISO 14405 LP		Copyright WABCO®	
Further Technical Data:		Date	Signature
Doc. Code:	Sheet: To:	2015-12-01	Guermes
General Tolerances JED-261		Checked	Witte
Range of Nominal Dimensions (± mm)		Expert	
Class	1) ≤ 50 > 50 > 180 > 180 > 400 > 400	Wosnizo	
Fine	0.5 1.0 1.5 2.0	Mass	Scale
Medium	1.0 2.0 3.0 4.0	kg	1:1
Coarse	2.0 3.5 5.0 6.5	Size	CAD System
Tapped Holes acc. -		A 1	CREO
1) Tolerance Class Applied: Crossmarked		Material No. 446 122 059 0	
		ECN-No. 166966	Date of first issue: 053
		Revision: 1x	Language: ML
		Techn. Resp. 6171	Sheet: 2/2
		Replacement for: -	