

MEASURING PRINCIPLE:
MESSPRINZIP:
PRINCIPE DE MESURE:
PRINCIPIO DI MISURA:

PIEZO-RESISTIVE
PIEZORESISTIV
PIEZORESISTIF
PIEZORESISTIVO

SUPPLY VOLTAGE:
SPEISESPANNUNG:
TENSION D'ALIMENTATION:
TENSIONE D'ALIMENTAZIONE:

8 - 32 V DC

CURRENT CONSUMPTION:
STROMAUFNAHME:
CONSUMMATION DE COURANT:
ASSORBIMENTO DI CORRENTE:

≤ 15 mA

THERMAL RANGE OF APPLICATION:
THERMISCHER ANWENDUNGSBEREICH:
GAMME D'APPLICATION THERMIQUE:
CAMPO TERMICO D'APPLICAZIONE:

-40 °C... +80 °C

MEASURING RANGE:
MESSBEREICH:
ZONE DE MESURE:
CAMPO DI MISURA:

0-10 bar

RELATIVE PRESSURE
RELATIVDRUCK
PRESSION RELATIVE
OPRESSIONE RELATIVA

ADMISSIBLE OVERPRESSURE:
ZULAESSIGER UEBERDRUCK:
ADMISSIBLE SUPPRESSION:
ADMISSIBLE SOVRAPRESSIONE:

16 bar

TIGHTENING TORQUE:
ANZIEHDREHMOMENT:
COUPLE DE SERRAGE:
COPPIA DI SERRAGGIO:

27 ± 2 Nm **

37 ± 2 Nm ***

THRUST RING / O-RING
DRUCKRING / O-RING
BAGUE DE BUTAGE / JOINT TORIQUE
ANELLO DI APPOGGIO / ANELLO DI TENUTA

811 401 057 4

SEALING RING
DICHRING
BAGUE D'ETANCHEITET
ANELLO DI TENUTA

811 401 057 4

PLUG CONNECTION
STECKVERBINDUNG
CONNECTION PAR FICHE
SPINOTTO

DIN 72585-A1-3.1-Sn/K2
(ISSUE: MARCH 1996)

SEE
SIEHE 858 000 845 4
VOIR
VEDERE

INSPECTION MARK
PRUEFZEICHEN
MARQUE DE CONTROLE
STAMPA DI COLLAUDO



034940

STAMPED OR LASERED
GEPRAEGT ODER GELASERT
FRAPPEE OU IMPRIMEE A LASER
STAMPATO O ISCRIZIONE A LASER

OFFSET
OFFSET
DEPLACEMENT DE VALEURS
DIFFERIMENTO DEI VALORI

0,5 V

SENSITIVITY
EMPFINDLICHKEIT
SENSIBILITE
SENSIBILITA

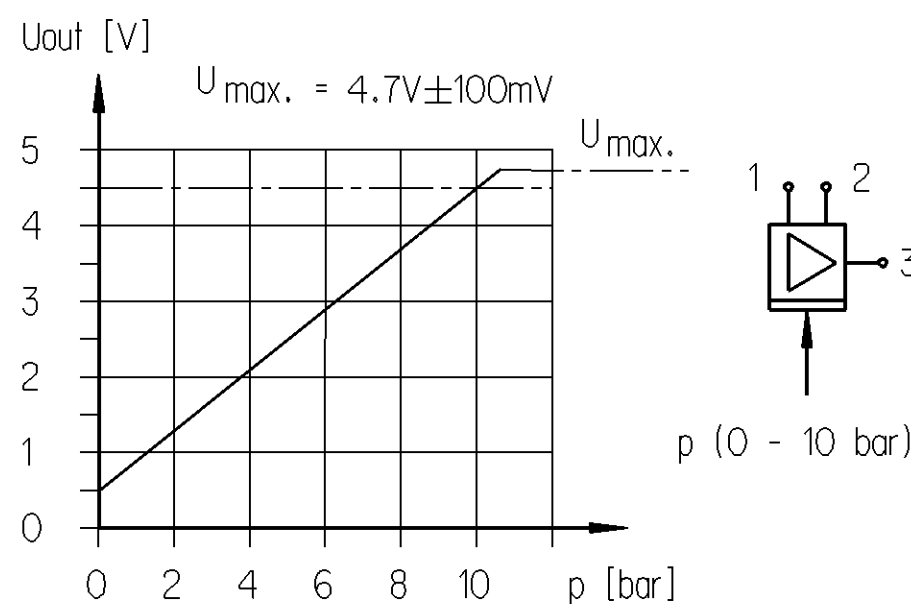
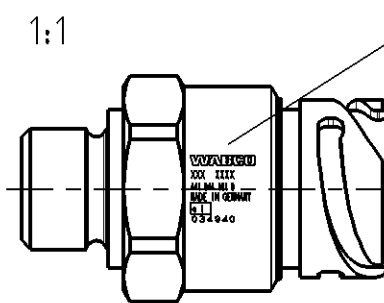
400 mV / bar

LINEARITY
LINEARITAET
LINEARITE
LINEARITA

≤ ± 0.3 % FS

HYSTERESIS
HYSTERESE
HYSTERESIS
ISTERESI

≤ ± 0.2 % FS



CONNECTION TO ATMOSPHERE MUST LEAD THROUGH WATER-TIGHT CABLING TO A PROTECTED AREA (E.G. IN DRIVERS CAB).
VERBINDUNG ZUR ATMOSPHAERE MUSS UEBER EINE WASSERDICHTHE VERKABELUNG ZU EINEM GESCHUETZTEN ORT FUEHREN (Z.B. IM FAHRERHAUS).
CONNEXION A L' ATMOSPHERE DOIT PASSER PAR UN CABLAGE ENTACHE A L' EAU A UNE ZONE PROTEGE (PAR EXEMPLE: LA CABINE)
CONNESSIONE ALL 'ATMOSFERA DEVE PASSARE ATTRAVERSO UN CABLAGGIO STAGNO IN UNA ZONA PROTETTA (COME LA CABINA DEL CONDUCENTE)}

INSTALLATION POSITION IS OPTIONAL ,BUT AVOID ACCUMULATION OF DIRT IN THE PRESSURE CHANNEL CAUSED BY VERTICAL INSTALLATION (CONNECTOR FACING DOWNWARD
DIE EINBAULAGE IST BELIEBIG, ABER VERSCHMUTZUNG DES DRUCKKANALES BEI VERTIKALEM EINBAU (STECKER NACH UNTEN) VERMEIDEN
POSITION D'INSTALLATION A VOLONTA, MAIS EVITER L' INTRUSION DE POUSSIERES DANS LE CANAL SOUS PRESSION (CONNECTEUR VERS LE BAS)
POSIZIONE DI MONTAGGIO A SCELTA ,MA EVITA L'ACCUMULAZIONE DELLO SPORCO NEL CANALE DELLA PRESSIONE CAUSATO DALL L'INSTALLAZIONE VERTICALE (CONNETTORE VERSO IL BASSO)

DEGREE OF PROTECTION WITH MOUNTED SENSOR AND CONNECTOR
SCHUTZART BEI EINGEBAUTEM SENSOR UND MONTIERTEM GEGENSTECKER IP 6K7, IP 6K9K
DEGRE DE PROTECTION AVEC CAPTEUR ET CONNECTEUR MONTE
GRADO DI PROTEZIONE CON SENSORE E CON SENSORE E CONNETTORE MONTATI

IDENTIFICATION OF DEVICE PRINTED OR LASER PRINTED
GERAETEKENNZEICHNUNG GEPRAEGT ODER GELASERT
IDENTIFICATION DE L' APPAREIL IMPRIME OU IMPRIME A LASER
IDENTIFICAZIONE DELL' APPARECCHIO STAMPATO O ISCRITTO A LASER

General Specification: JED-334-0		Copyright WABCO®		WABCO	
Further Technical Data: 441 044 101 0		Date	Signature	PRESSURE SENSOR	
Doc. Code: 535	Sheet: 1 To END	2006-08-08	Runge	DRUCKSENSOR	
General Tolerances JED-261		2006-08-08	Thimm	CAPTEUR DE PRESSION	
Range of Nominal Dimensions (± mm)		Expert		SENSORE DI PRESSIONE	
Class 1)	≤ 50	> 50 ≤ 180	> 180 ≤ 400	> 400	±3°
Fine	0,5	1,0	1,5	2,0	
Medium	X 1,0	2,0	3,0	4,0	
Coarse	2,0	3,5	5,0	6,5	
Tapped Holes acc.		Mass	Scale	Material No.	
State of Revision		0.030 KG	2:1 (1:1)	441 044 101 0	
1) Tolerance Class Applied Crossmarked		Size	TR1	WABCO Id. No.: 4410441010	
DCN-No.	Rev.	Date	A 2	560	Doc.Code Language Sheet
112794	1vB	2007-03-19	Function Code CAD System Prod.Type		605 en/de fr/it 1/1
112784	3vA	2007-01-22	Pro/E		884 058 100 0
Replacement for		100mm			