



PRODUCT INFORMATION

MARCH 2017

424150

20kg Grease Kit with Trolley

European designed and made, the heart of the 424150 20kg grease kit with trolley is the Samoa 404100 55:1 ratio grease pump. Complete with the Samoa 430000 20kg/55kg two wheeled trolley, the kit is fully mobile and ready to tackle all your greasing needs wherever they are.

The pump's air motor body and cylinder, manufactured from machined aluminium, enables the pump to handle greases up to NLGI2 even in the coldest environments and conditions.

The 70mm diameter air motor with a 35mm stroke facilitates a high delivery rate of 540 grams of grease per minute ensuring that machinery and vehicles are lubricated quickly and efficiently. The lightweight air motor is capable of operating at a maximum pressure of 140psi and will perform faultlessly year after year.

If you're looking for a reliable, trouble free fully mobile 20kg grease kit that will get the job done quickly and efficiently, you can't go past the 424150 20kg grease kit with trolley for performance and reliability.

PRODUCT SPECIFICATIONS, FEATURES AND BENEFITS

55:1 ratio air motor

Maximum outlet pressure of 7,950psi (550 bar)

Maximum free flow delivery of 540 g/min (at 100psi)

Air pressure operating range of 22psi (1.5 bar) to 140psi (10 bar)

Wetted parts: Steel, NBR and PTFE

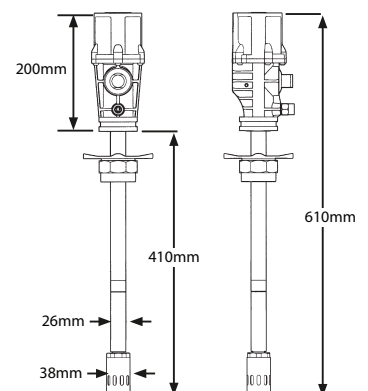
Integrated inlet foot valve filter protects the pump from possible foreign particle contamination

Will handle greases up to NLGI2

Quiet operation due to exhaust muffler: 92 dB

Kit comprises a 55:1 ratio pump plus drum cover, follower plate, trolley, 2 metres of hose, z swivel and control valve

Also available: **424170** 20kg Grease Kit with Carry Handle
404100 20kg Pump only



ORDERING INFORMATION

424150 20kg Grease Kit with Trolley

