

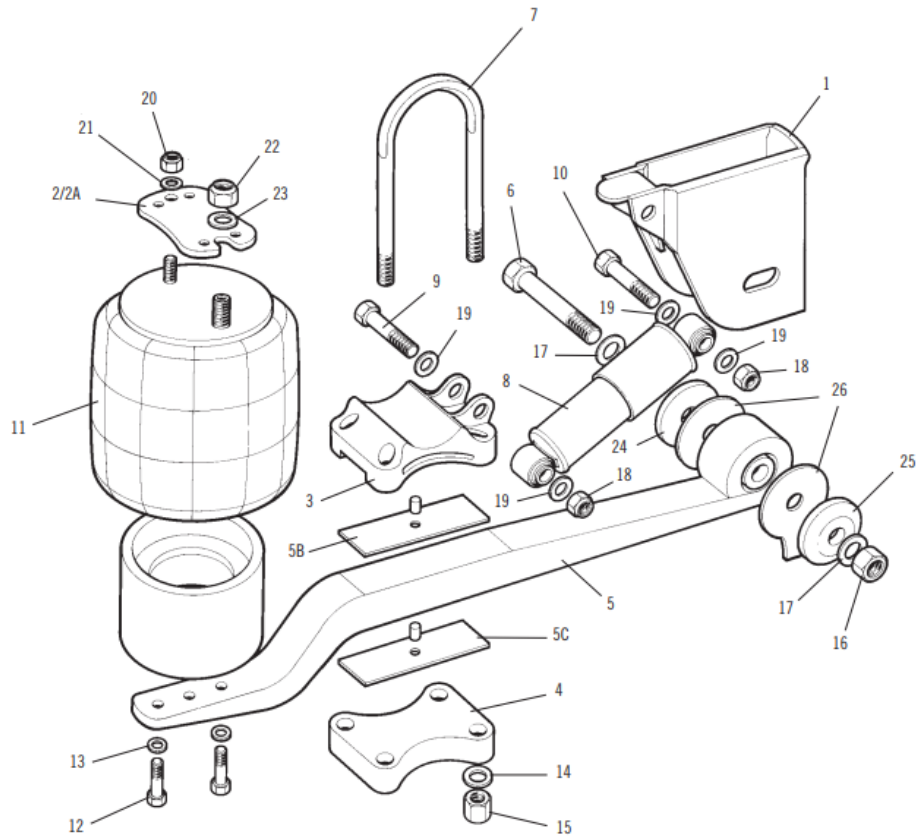


21225102		ROR
mm	DIMENSION	KG.
0	1070 530 + 450	31,40



DIMENSION		KG.
75 x 58	1070 530 + 450	

Length = 530+450mm Width = 75mm



Item	Description	Part Number
1A	Frame mounting bracket, tracked L/H, (ride height mm)	21225133L-37L (150-250)
1A	Frame mounting bracket, tracked R/H, (ride height mm)	21225133R-37R (150-250)
2	Airspring pedestal plate, (ride height mm)	21222582 (150)
2A	Airspring pedestal assembly, (ride height mm)	21222583-86 (175-250)
3	Spring seat	21225054
4	U bolt plate	21225056
5	Trailing arm assembly, c/w bush, M24	21225102
5A	Pivot bush, M24	21225103
5B	Shim	21225152
5C	Shim	21225170
6	Pivot bolt, M24	21225155
7	U bolt, M24	21225151
8	Damper	21225104
9	Damper bolt - bottom, M16	21225154
10	Damper bolt - top, M16	21225154
11	Airspring	21222442FS
12	Bolt, M12 x 55	99526002
13	Spring washer, M12	99510003
14	U bolt nut, M24	21222243
15	U bolt washer, M24	21222923
16	Pivot nut, M24	99527004
17	Pivot washer, M24	99513007
18	Damper nut, M16	21225159
19	Damper washer, M16	21224978
20	Nut, M12	99527000
21	Washer, M12	99513006
22	Nut, M22	99528001
23	Washer, M22	99510004
24	Tracking bush, eccentric, M24	21228663
25	Tracking bush, concentric, M24	21228664
26	Wear plate, tracked, M24	21225162