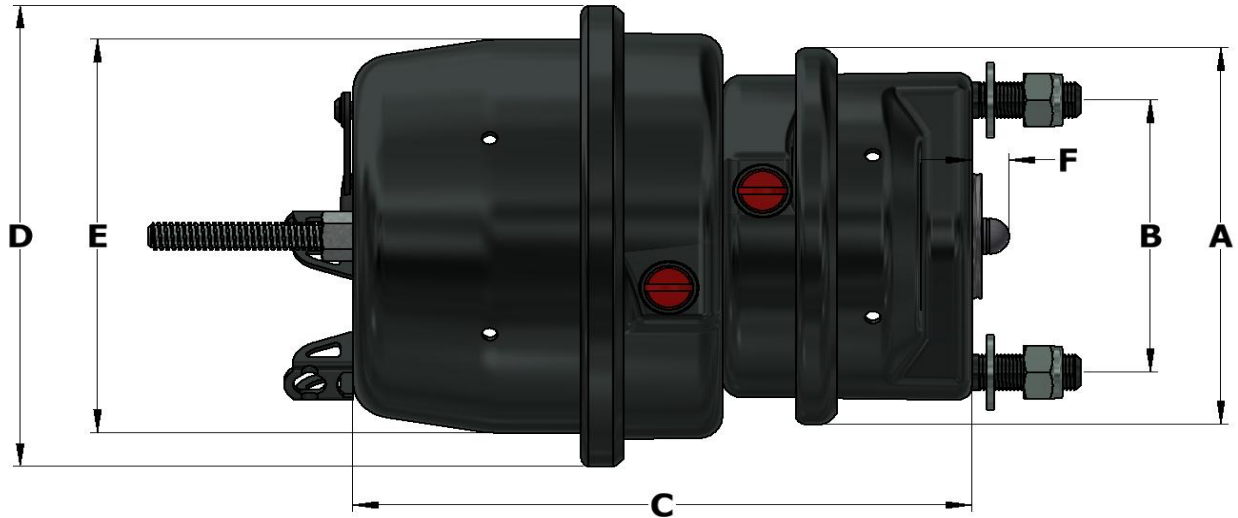


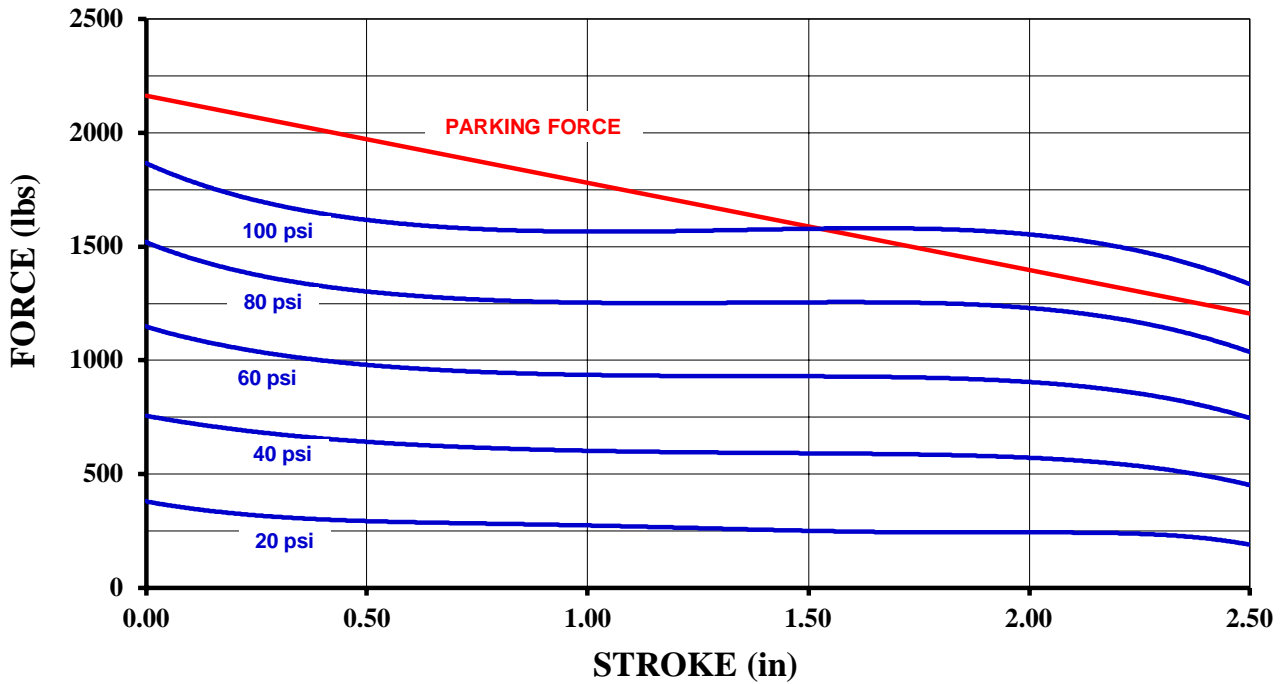


1624HTLD2 PERFORMANCE SHEET



STROKE (in)	SERVICE VOLUME (in ³)	EMERGENCY VOLUME (in ³)	WEIGHT (lbs)	A (in)	B (in)	C (in)	D (in)	E (in)	F	INLET PORTS	MOUNTING STUDS
2.5	61	122	19.2	6.9	4.75	9.7	8.1	6.9	15mm	M16 x 1.5 or 3/8-18 NPTF	M16 x 1.5 or 5/8-11 UNC

TANDEM BRAKE PERFORMANCE



NOTES:

1. Service force outputs shown nominal, may vary +/-5%
2. Emergency force output shown nominal, may vary +/-10%
3. Weight is as shown