

PART NUMBER 1300641

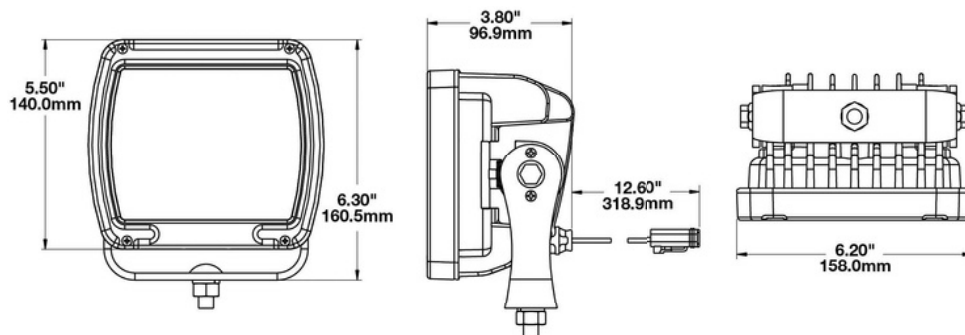
LED Work Light - Model 526

PRODUCT INFORMATION

Description	24V LED Work Light with Black Housing, Polycarbonate Lens & Dual White AntiGlare Pattern
Height	160.47 mm 6.32 in
Width	158.00 mm / 6.22 in
Depth	98.00 mm / 3.86 in
Shape	Square
Outer Lens Material	Polycarbonate
Outer Lens Color	Clear
Housing Material	Die-Cast Aluminium
Housing Color	Black
Mounting Hardware Description	(x1) M 10-1.5 x 40mm Mounting Bolt
Mounting Type	Universal Pedestal Mount
Minimum Operating Temperature	-40 °C
Maximum Operating Temperature	65 °C
Connector or Wiring	iCONN connector - IMate23 3 wire
Additional Information	Warm/Cool White Color Temperatures: Warm White: 2800K Cool White: 5000K

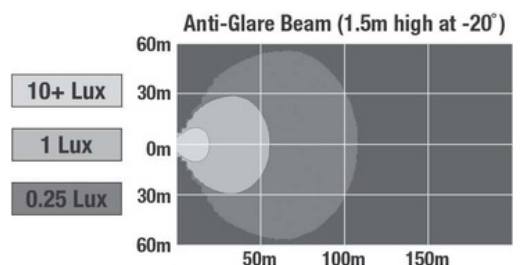


PRODUCT DIMENSIONS



PHOTOMETRIC SPECIFICATIONS

Raw Lumen Output	9900 (cool white), 7500 (warm white)
Effective Lumen Output	3464 (cool white), 3390 (warm white)
Nominal LED Color Temperature	4488 (cool white), 4508 (warm white)
Beam Pattern(s)	Anti-Glare



LED Work Light - Model 526

ELECTRICAL SPECIFICATIONS

Input Voltage	24V DC
Operating Voltage	16-32V DC
Transient Spike Protection	330V Peak@ 1 HZ-100 Pulses
White Wire	Cool White
Black Wire	Ground
Green Wire	Warm White
Current Draw	3.25A@ 24V DC (Cool White) 3.25A@ 24V DC (Warm White)

REGULATORY STANDARDS COMPLIANCE



IEC IP69K

Tested to ECE Reg. 10
(Radiated Emissions only)

APPLICATIONS

