

PART NUMBER 1300581

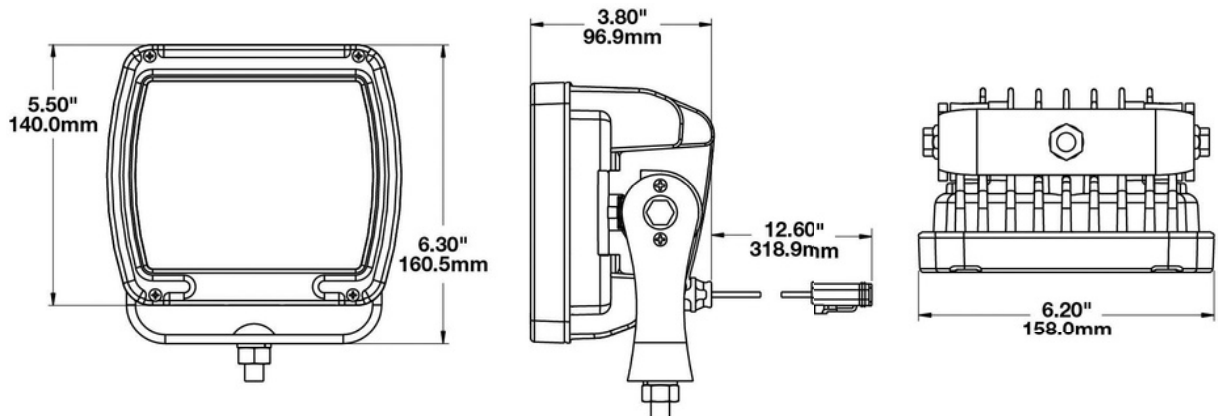
LED Work Light - Model 526

PRODUCT INFORMATION

Description	24V LED Work Light with Black Housing, Polycarbonate Lens & Flood Beam Pattern
Height	160.02 mm 6.3 in
Width	157.48 mm / 6.2 in
Depth	96.52 mm 3.8 in
Shape	Square
Outer Lens Material	Polycarbonate
Outer Lens Color	Clear
Housing Material	Die-Cast Aluminium
Housing Color	Black
Mounting Hardware Description	(x1) M 10-1.5 x 25 Mounting Bolt
Mounting Type	Universal Pedestal Mount
Minimum Operating Temperature	40 °C
Maximum Operating Temperature	65 °C
Connector or Wiring	iCONN Connector - iMATE23
Additional Information	Wire Harness: JWS part number 3271781

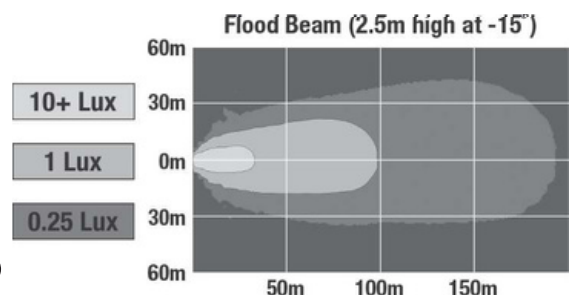


PRODUCT DIMENSIONS



PHOTOMETRIC SPECIFICATIONS

Raw Lumen Output	9,000
Effective Lumen Output	5800
Nominal LED Color Temperature	5700 K
Beam Pattern(s)	Forward Lighting - Flood (Standard)



LED Work Light - Model 526

ELECTRICAL SPECIFICATIONS

Input Voltage	24V DC
Operating Voltage	16-32V DC
Transient Spike Protection	330V Peak@ 1 HZ-100 Pulses
Current Draw	5.00A@ 24V DC

REGULATORY STANDARDS COMPLIANCE



IEC IP69K

APPLICATIONS

