

3 HOLES-UNI HYDRAULIC PISTON PUMPS

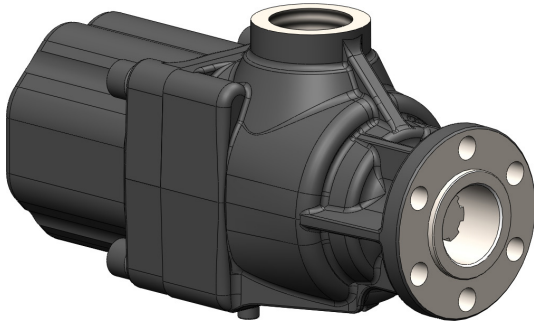
FAMILY CODE

108005

"DARK" UNI

Rev: AB

Codice foglio: 99710800515

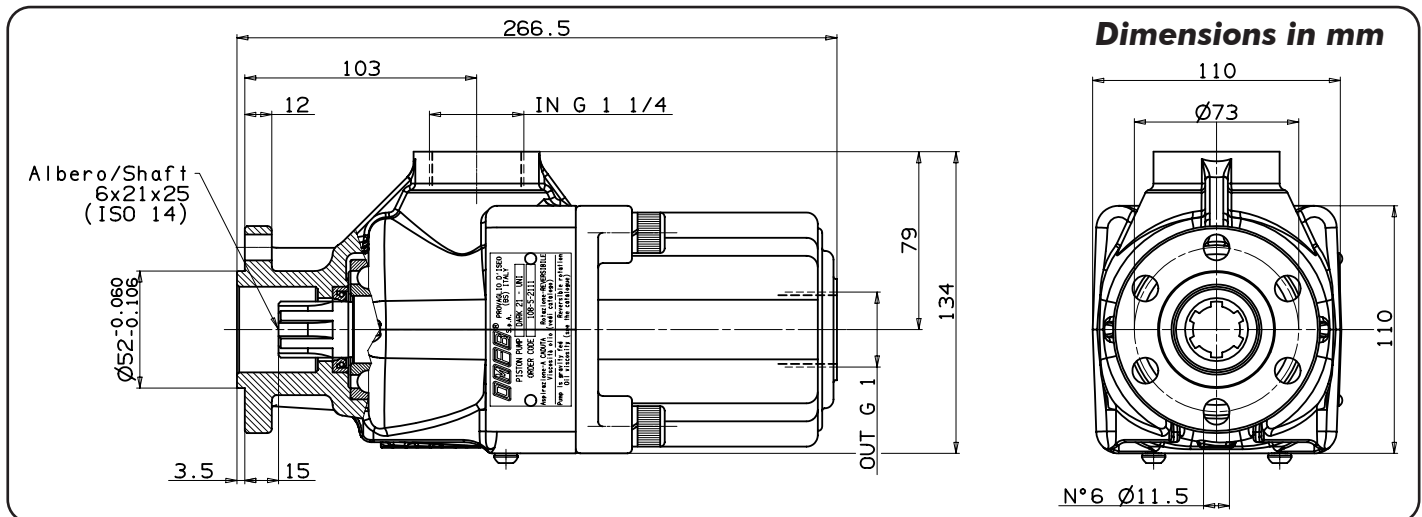


Fluid	Mineral or synthetic compatible with the following seals: NBR, FKM, FPM, Nylon				
Kinematic viscosity suggested	Average ambient temp. (°F)	< -14	-14 ÷ 50	50 ÷ 95	> 95
	VG (cSt = mm ² /s)	16	22	32	46
Optimale kinematic viscosity	VG= 10 cSt ÷ 100 cSt				
Max kinematic viscosity suggested at the start-up	VG= 750 cSt				
Viscosity index suggested	VI > 100				
Oil filtering	> 2900 PSI: 10 µm < 2900 PSI: 25 µm				
Inlet pressure	1,45 ÷ 29 PSI				
Pump rotation	Unidirectional (Right or Left)				

Verify that pump is, at least, 100 mm under the minimum level of the tank. Before starting the pump bleed the air.

Rev: //

Codice fascicolo:



Data: Giovedì 4 dicembre 2008

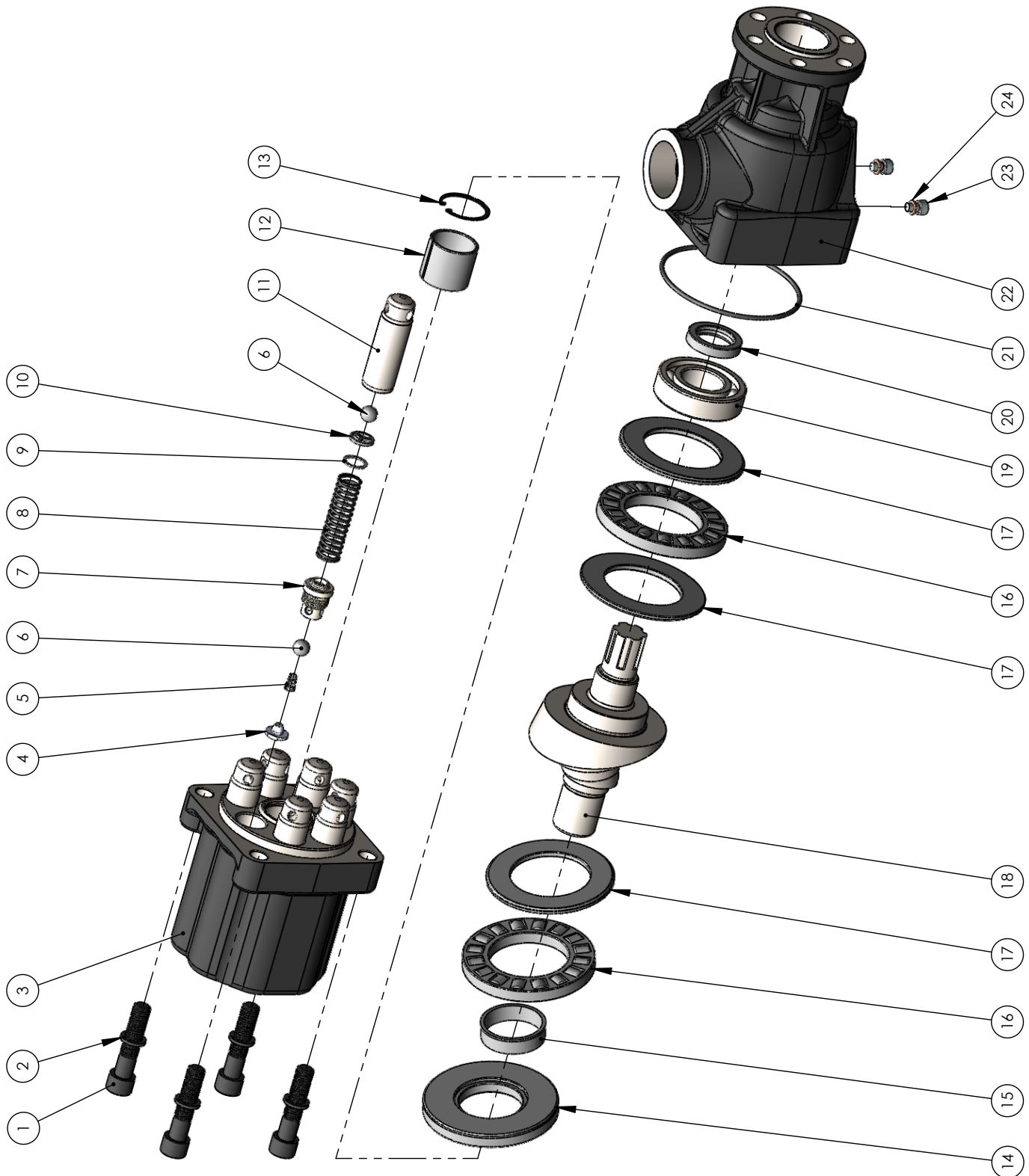
Pump type	Code	Displacement inch ³ /rev	Pressure		Max speed rpm	Weight lb
			Max PSI	Peak PSI		
DARK-21	10800502111	1,23	5076	5801	1800	29,7
DARK-28	10800502817	1,67				
DARK-35	10800503512	2,05				
DARK-42	10800504217	2,47				
DARK-48	10800504815	2,88				
DARK-52	10800505216	3,17	4351	5076	1500	29,3
DARK-55	10800505510	3,29				
DARK-60	10800505912	3,61				

pag.1



O.M.F.B. S.p.A. Hydraulic Components
 We reserve the right to make any changes without notice.
 Edition 2006.11 No reproduction, however partial, is permitted.
 Via Cave, 7/9 25050 Provatigla d'Isèo (Brescia) Italy Tel.: +39.030.9830611
 Fax: +39.030.9839207-208 Internet:www.omfb.it e-mail:info@omfb.it

COMPANY WITH
 QUALITY SYSTEM
 CERTIFIED BY DNV GL
 = ISO 9001:2015 =



Rev: AB

Codice foglio: 99710800515

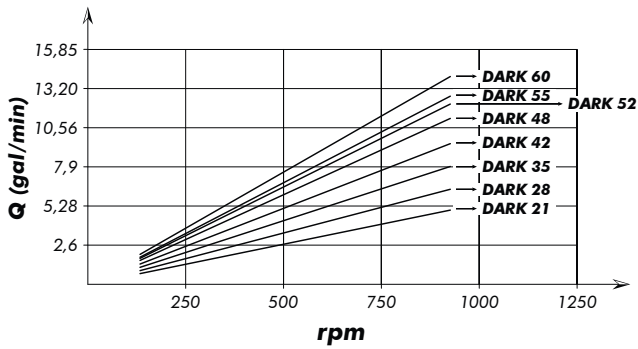
Rev: //

Codice fascicolo:

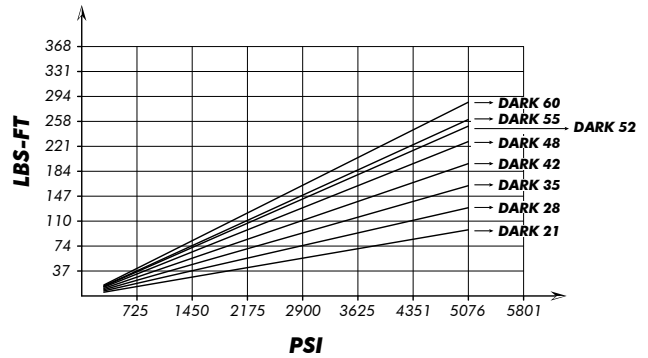
Data: Giovedì 4 dicembre 2008

N°	21	28	35	42	48	52	55	60	P. Number	Description	Quantity
1	•	•	•	•	•	•	•	•	50200500591	Socket head capscrew M12x55	4
2	•	•	•	•	•	•	•	•	50100800063	Washer	4
3	•	•	•	•	•	•	•	•	51700200011	Rear body	1
	•	•	•	•	•	•	•	•	51700200039		
	•	•	•	•	•	•	•	•	51700200020		
	•	•	•	•	•	•	•	•	51700200100		
	•	•	•	•	•	•	•	•	51700200048		
	•	•	•	•	•	•	•	•	51700200182		
	•	•	•	•	•	•	•	•	51700200057		
	•	•	•	•	•	•	•	•	51700200146		
4	• x3	• x4	• x5	• x6	• x7	• x7	• x8	• x8	54200100135	Spring guide body	
5	• x3	• x4	• x5	• x6	• x7	• x7	• x8	• x8	51200400153	Tapered spring	
6	• x6	• x8	• x10	• x12	• x14	• x14	• x16	• x16	51000900116	Ball 7/16"	
7	• x3	• x4	• x5	• x6	• x7	• x7	• x8	• x8	54000000149	Plug delivery valve	
8	• x3	• x4	• x5	• x6	• x7	• x7	• x8	• x8	51200500581	Back piston spring	
9	• x3	• x4	• x5	• x6	• x7	• x7	• x8	• x8	53000000159	Spacer	
10	• x3	• x4	• x5	• x6	• x7	• x7	• x8	• x8	55000100209	Spacer spring guide	
11	• x3	• x4	• x5	• x6	• x7	• x7	• x8	• x8	53200400026	Pump piston ø21	
	•	•	•	•	•	• x7	• x8	• x8	53200400035	Pump piston ø22	
12	•	•	•	•	•	•	•	•	53300400051	Bushing 34x30x30	1
13	•	•	•	•	•	•	•	•	50100000187	Circlip	1
14	•	•	•	•	•	•	•	•	51000600379	Bearing 93x44x10.4	1
15	•	•	•	•	•	•	•	•	53300400159	Bushing 40x44x12	1
16	•	•	•	•	•	•	•	•	51000655909	Axial roller cage 92x55x11	2
17	•	•	•	•	•	•	•	•	51000600431	Bearing 88x55x4	3
18	•	•	•	•	•	•	•	•	52200500124	Shaft	1
19	•	•	•	•	•	•	•	•	51000100212	Ball bearing 62x30x16	1
20	•	•	•	•	•	•	•	•	50600700313	Oil seal	1
21	•	•	•	•	•	•	•	•	50600200630	O-Ring	1
22	•	•	•	•	•	•	•	•	51700200324	Front housing	1
23	•	•	•	•	•	•	•	•	50202000405	Socket head capscrew M6x8	2
24	•	•	•	•	•	•	•	•	11600901022	Washer	2

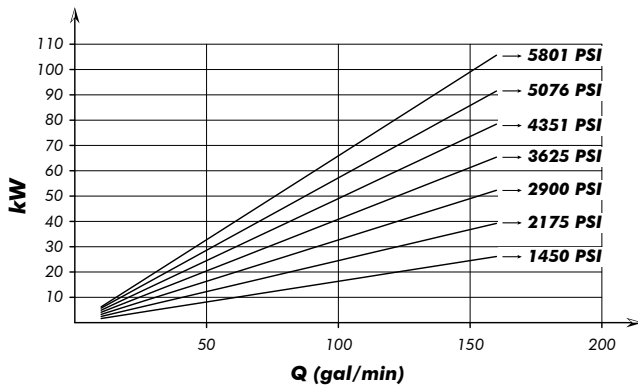
FLOW



DRIVE TORQUE



POWER INPUT



Seal Kit

10890300018

Codice foglio: 99710800515 Rev: AB

Rev: //

Codice fascicolo:

Data: Giovedì 4 dicembre 2008