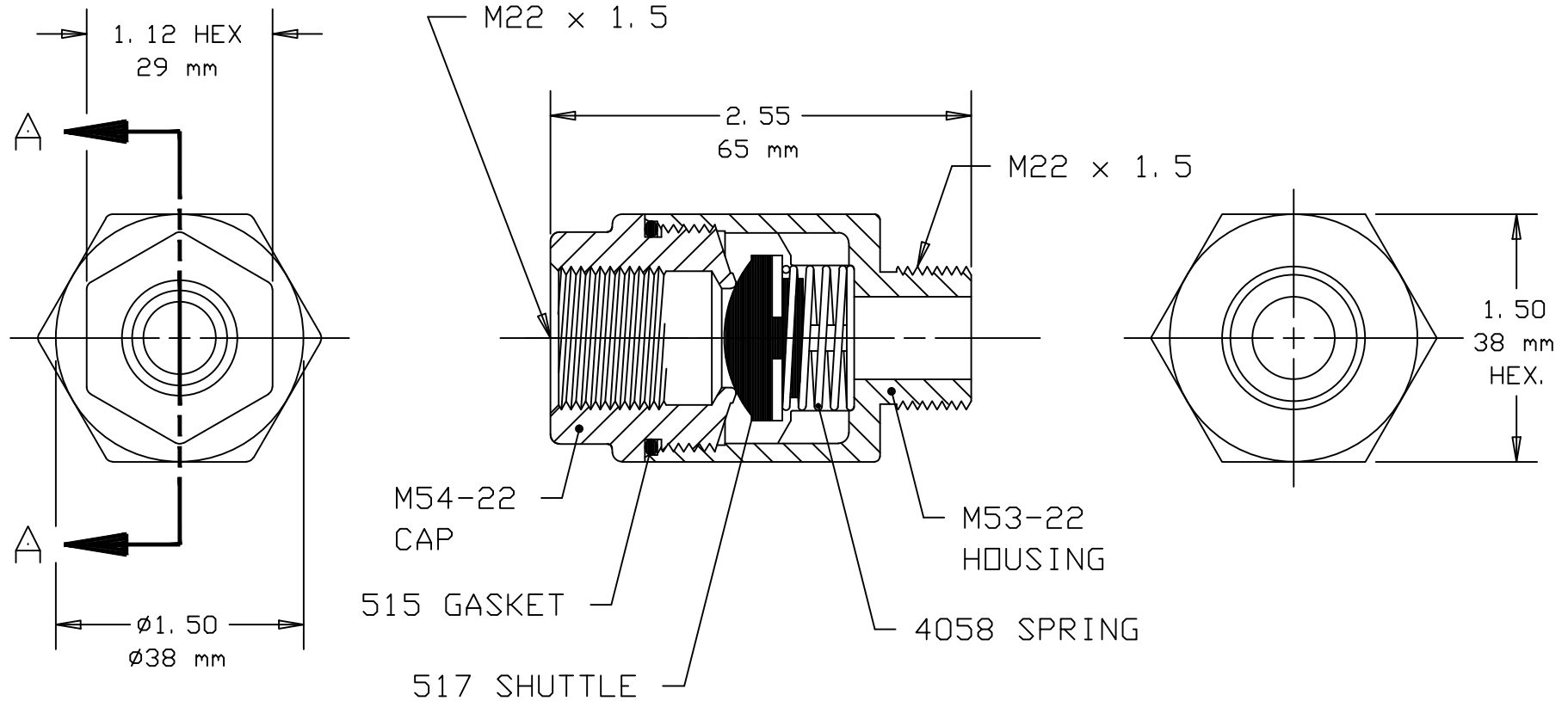


W22201



Sealco Commercial Vehicle Products, Inc. Phoenix, Arizona



NOTE:
OPENING PRESSURE: 4 ± 1 P. S. I.

SECTION A-A

E				TOLERANCES UNLESS SPECIFIED DECIMAL .XXX ± .005 DECIMAL .XX ± .015 FRACTION ± 1/64 ANGULAR ± 1/2°	ONE-WAY CHECK VALVE			
D					MATERIAL: -----			
C					DR: MG	CH: .	FINISH: -----	FINAL ASSEMBLY: -----
B					DATE: 8-12-2016		SCALE: FULL	
A	XX	XX	CH:		10222M			
REVISIONS								